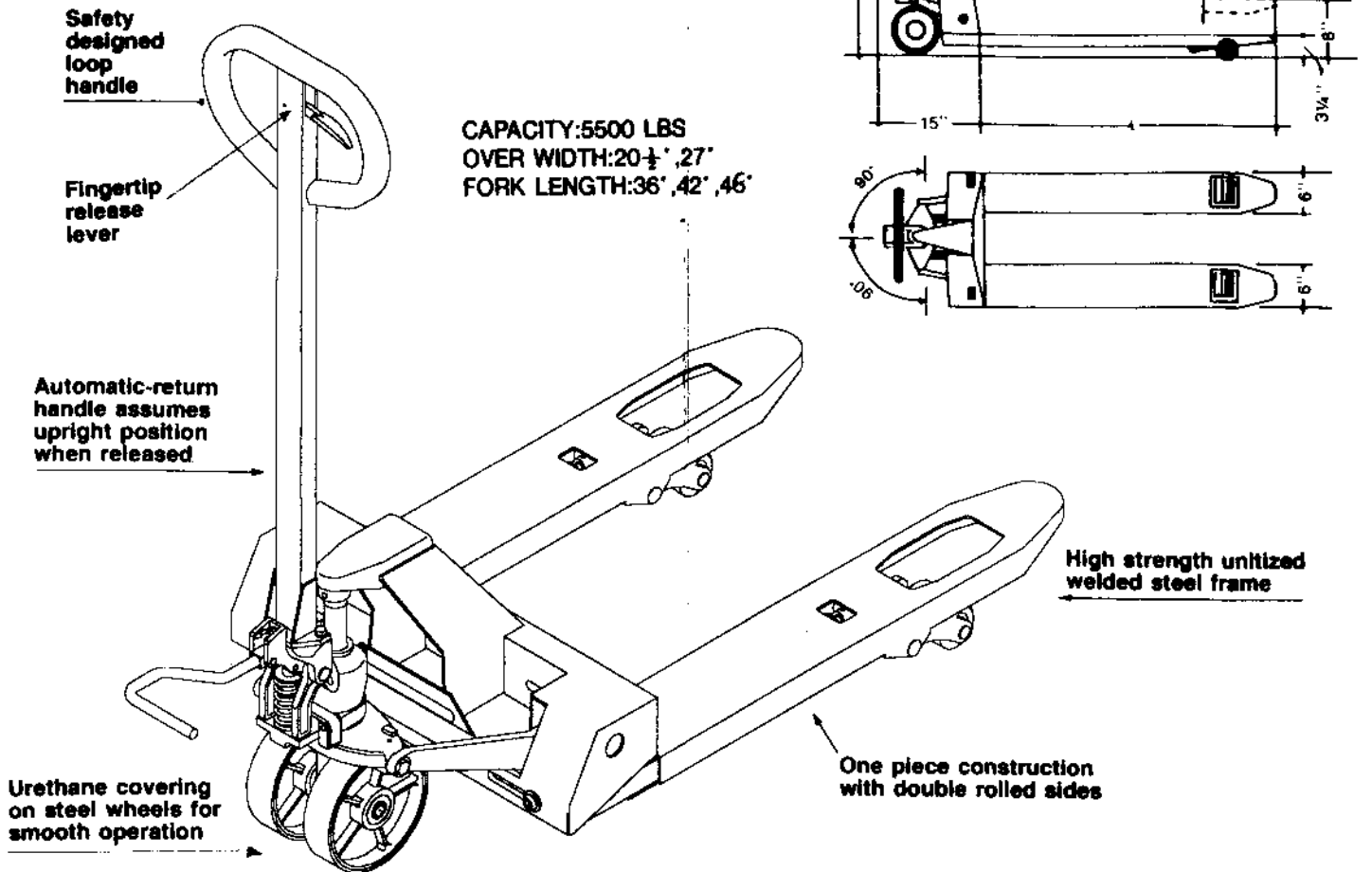


WESCO HYDRAULIC PALLET TRUCK INSTRUCTION MANUAL

READ INSTRUCTION MANUAL CAREFULLY BEFORE OPERATING

FEATURES:



HOW TO OPERATE TRUCK:

- (1) PULL THE RELEASE LEVER UP. THE TRUCK WILL LOWER.
- (2) PUSH THE RELEASE LEVER DOWN, YOU CAN NOW PUMP THE TRUCK UP

MAINTENANCE

1. DO NOT OVERLOAD.
2. WHEN TRUCK CANNOT LIFT TO FULL HEIGHT, REMOVE OIL PLUG, FILL WITH HYDRAULIC OIL.
3. LUBRICATE THE AXLES OF WHEELS AND ALL MOVING PARTS.
4. DO NOT LEAVE PALLET TRUCK UNDER A HEAVY LOAD FOR AN EXTENDED TIME WHEN NOT IN USE. RELEASE HYDRAULIC PRESSURE ON PUMP TO LOWER TRUCK.

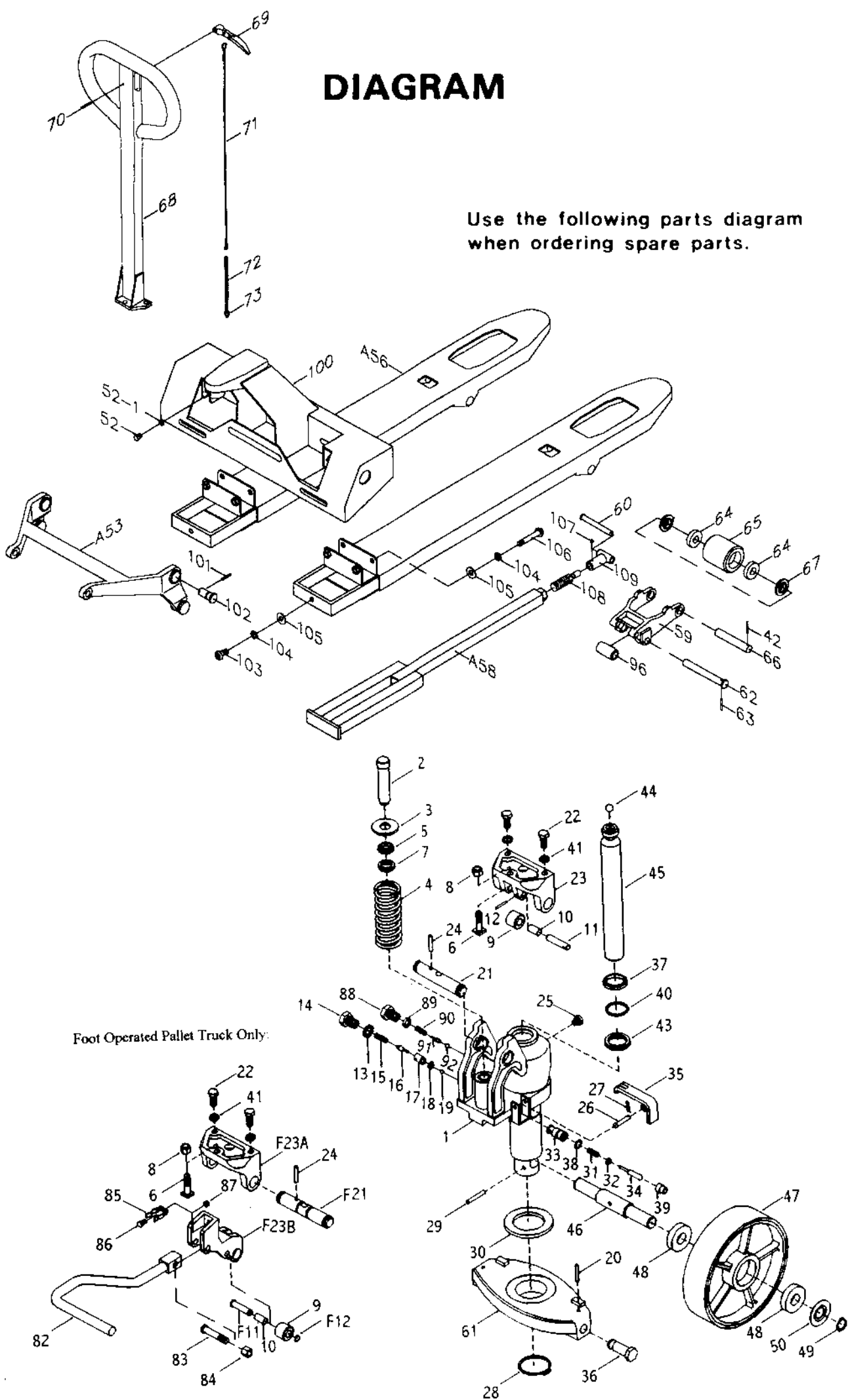
Recommended hydraulic oil SAE #10

HANDLE ASSEMBLY INSTRUCTIONS

1. USE SCHEMATIC AS A REFERENCE.
2. POSITION YOURSELF BEHIND THE TRUCK WITH FORKS POINTING AWAY
3. REMOVE 3 EA. SCREWS (22) FROM HANDLE BASE (23).
4. HOLDING HANDLE (68) IN ONE HAND, AND A SCREWDRIVER IN THE OTHER, PLACE THE SCREWDRIVER IN ONE OF THE 3 SCREW HOLES IN HANDLE BASE (23). PULL ON THE SCREWDRIVER SO THAT THE HANDLE BASE (23) TILTS BACK UNTIL THE CENTER HOLE IN THE HANDLE (23) AND AXLE (21) ARE ALIGNED.
5. SLIP CHAIN (72) THRU BOTH HOLES.
6. REPLACE 3 EA. SCREWS (22) ATTACHING HANDLE (68) TO HANDLE BASE (23).
7. PULL UP ON LOWERING ARM (35) AND SLIP CHAIN AND NUT ASSEMBLY (72,73) INTO SLOT. NUT (73) SHOULD BE RESTING AGAINST UNDERSIDE OF LOWERING ARM (35).

DIAGRAM

Use the following parts diagram when ordering spare parts.



PALLET TRUCK PARTS LIST

Part No.	Key No.	Description	Qty Required	Part No.	Key No.	Description	Qty Required
270150	1	Hydraulic Pump with Bypass	1	270314	50	Cap	2
270101	2	Plunger Piston	1	270771	A53	Trunion	1
270578	3	Cap Washer	1	270772	A56	Fork	2
270102	4	Spring	1	270773	A58	Adjustable Tie Rod	2
270103	5	Dust Seal	1	270263	59	Load Wheel Yoke	1
270313	6	Handle Base Bolt	1	270264	60	Pin	1
270104	7	Cup Packing	1	270284	61	Yoke	1
270236	8	Nut	1	270144	62	Axle	1
270105	Consists of	Handle Base Kit	1	270266	63	Spring Pin	1
	9	Roller	1	270273	64	Ball Bearing	4
	10	Bushing	1	270288	65	Load Wheel	2
	11	Axle	1	270145	66	Axle	1
	12	Ball	1	270289	67	Nylon Cover	4
	22	Screw	3	270819	68	Coated Handle	1
	23	Handle Base	1	270141	Consists of	Handle Set	1
270106	13	Packing	1		68		1
270107	14	Screw	1		69		1
270108	15	Spring	1		70		1
270109	16	Valve Cone	1		71		1
270110	17	Valve Housing	1		72		1
270111	18	"O" Ring	1		73		1
270112	19	Ball	1	270821	96	Exit Roller	1
270113	20	Spring Pin	2	270158		Seal Kit	1
270114	21	Axle	1	270774	100	Bonnet Frame	1
270115	22	screw,washer,nylon nut	3	270775	101	Spring Pin	2
270105	23	Handle Base	1	270776	102	Pin	2
270116	24	Spring Pin	1	270777	103	Screw	2
270117	25	Oil Plug	1	270778	104	Spring Washer	6
270118	26	Axle Pin	1	270779	105	Washer	6
270119	27	Pin	1	270780	106	Screw	4
270120	28	Locking Ring	1	270781	107	Set Screw	2
270121	29	Spring Pin	1	270782	108	Adjust Screw	2
270122	30	Thrust Bearing	1	270783	109	Adjust Screw Nut	2
270123	31	Spring	1				
270124	32	"O" Ring	1				
270576	33	Relief Cylinder	1	272759	1	Hydraulic Pump	1
270125	34	Release Piston	1	270248	82	Foot Pedal	1
270126	35	Lowering Arm	1	270824	83	Screw Axle	1
270127	36	Table Bolt	2	270825	84	Nut	1
270128	37	Dust Seal	1	272768	85	Spring Clip	1
270268	38	"O" Ring	1	270826	86	Screw Axle	1
270267	39	Rubber Boot	1	270827	87	Nut	1
270129	40	"O" Ring	1	270828	88	Screw	1
270115	41	Washer	2	270829	89	Packing	1
270265	42	Load Wheel Pin	2	270830	90	Spring	1
270131	43	Cup Packing	1	270831	91	Cone	1
270132	44	Ball	1	270832	92	Ball	1
270133	45	Ram Piston	1	270822	F11	Axle	1
270134	46	Wheel Shaft	1	270823	F12	Snap Ring	1
270135	47	Steering wheel	2	270175	F21	Axle	1
270273	48	Ball Bearing	4	270252	F23A	Handle Base	1
270137	49	Locking Ring	2	270250	F23B	Foot Pedal Base	1

Order by part number only. Refer to drawing for key numbers.



TROUBLE SHOOTING

TROUBLE	CAUSE	REMEDY
1. JACK FEELS "SPONGY" WHEN OPERATING	AIR IN THE HYDRAULIC SYSTEM	1. HOLD THE LEVER UP, THEN PULL THE LOOP-HANDLE DOWN AND UP FOR A FEW STROKES
	INSUFFICIENT HYDRAULIC OIL	2. REMOVE THE OIL PLUG (NO. 25) AND ADD OIL
2. THE FORKS DO NOT RISE WHEN THE VALVE HANDLE IS IN LIFTING POSITION	INSUFFICIENT HYDRAULIC OIL	SEE REMEDY 2
	THE LOWERING ARM ASSEMBLY DOES NOT OPEN	3. ADJUST THE VALVE CHAIN WITH ADJUSTING NUT (NO. 73) OR CHECK THE RELEASE PISTON (NO. 34)
	LEAK FROM VALVE CONE (NO. 16) ASSEMBLY	4. REPLACE STEEL BALL (NO. 19)
3. THE FORKS DROP AFTER EVERY PUMP STROKE	AIR IN THE HYDRAULIC SYSTEM	SEE REMEDY 1
	LEAK FROM THE VALVE CONE (NO. 16)	5. REPLACE VALVE CONE (NO. 16), VALVE HOUSING (NO. 17), O-RING (NO. 18), AND O-RING (NO. 13)
4. "LOWERING ACTION" DOES NOT FUNCTION OR LOWERS SLOWLY	INSUFFICIENT TRAVEL OF LOWERING ARM	ADJUST THE VALVE CHAIN AND ADJUSTING NUT (NO. 73)
5. THE FORKS DROP WHEN THE HANDLE IS IN THE NEUTRAL POSITION	THE LOWERING ARM DOES NOT OPEN PROPERLY	SEE REMEDY 3
	LEAK FROM THE VALVE CONE	SEE REMEDY 5
	LEAK FROM SEAL RINGS IN THE BOTTOM PLATE	6. REPLACE CUP PACKING (NO. 43)
6. PUMPING STILL OCCURS, WHEN VALVE HANDLE IS IN NEUTRAL POSITION		SEE REMEDY 3
7. OIL LEAKS FROM THE LOWERING ARM ASSEMBLY	SEAL RING DAMAGED OR WORN OUT	7. REPLACE O-RING (NO. 32) AND (NO. 38)

NOTE: WHEN OVERHAULING THE HYDRAULIC SYSTEM, TOTAL CLEANLINESS SHOULD BE OBSERVED.

DISMANTLED PARTS SHOULD BE CAREFULLY CLEANED AND INSPECTED. ALWAYS CHANGE O-RING AND SEAL WASHERS WHEN OVERHAULING HYDRAULIC SYSTEM.