

INSTALLATION INSTRUCTIONS AND PARTS LIST FOR E14, E16 & E18 NOSEPLATE KITS WESCO-LITE / COBRA SERIES HAND TRUCKS

Attention: To insure proper installation of the above named product, read and follow these instructions before installing.

SPECIFICATIONS

The Wesco Replacement Noseplate Kits are designed for the Wesco-Lite / Cobra Series of Hand Trucks.

Wesco Manufacturing Co.
P.O. Box 47
Lansdale, PA. 19446
TEL: 215-699-7031 FAX: 215-600-3836

Contact our Customer Service Department at the above listed phone numbers if you have problems after reading these instructions, or for parts information and ordering.

UNPACKING

When unpacking your unit, check carefully for shipping damage and missing parts. If damage has occurred or parts are missing, file a claim with the delivering carrier within 24 hours and notify the dealer from whom the unit was purchased.

WARRANTY REPAIRS

If unit does not work properly, contact your dealer or the factory (215-699-7031) for units less than ninety days old.

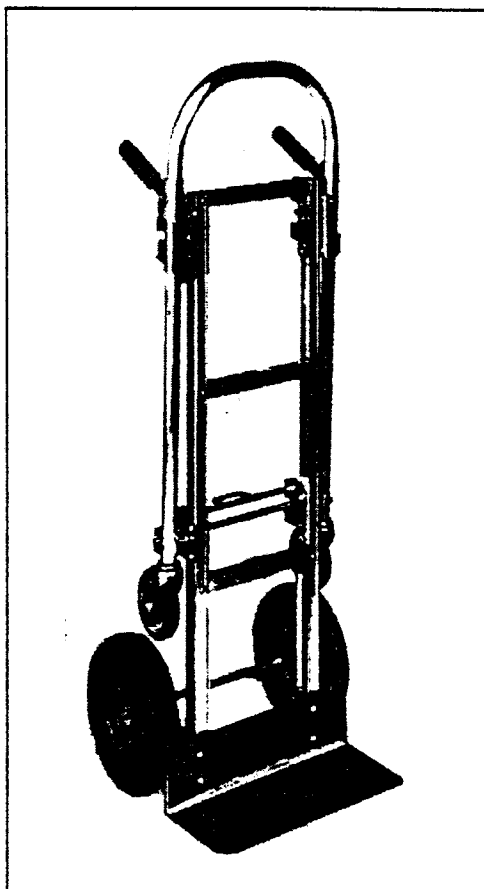
NON-WARRANTY REPAIRS

For units older than ninety days, repairs can be made easily on site with factory supplied parts.

NOTE: Do not send units to the factory for service without obtaining a "returned goods authorization number" from the customer service department. We will not be responsible for goods returned without authorization.

TOOLS REQUIRED

1/2" Wrench
Screw Driver, Large (Flat or Phillips)



Cobra Jr. Shown

LIMITED WARRANTY

WESCO MANUFACTURING COMPANY (WESCO) warrants to the purchaser of this product for a period of ninety (90) days from the date of purchase that this product shall be free of defects in material and/or workmanship, as follows:

1. WESCO will supply, at no charge, new or rebuilt replacements for any part that fails through a defect in material and/or workmanship during the warranty period. To obtain warranty service, you must deliver the product prepaid, to the WESCO factory.

2. This warranty does not cover any product or product part which has been subject to accident, misuse, abuse or negligence. WESCO shall only be liable under this warranty if the product is used the manner intended by the manufacturer as specified in the written instructions furnished with this product.

REPAIR OR REPLACEMENT AS PROVIDED UNDER THIS WARRANTY IS THE EXCLUSIVE REMEDY OF THE PURCHASER. ANY EXPRESS WARRANTY NOT PROVIDED IN THIS WARRANTY DOCUMENT, AND ANY REMEDY FOR BREACH OF CONTRACT THAT, BUT FOR THIS PROVISION, MIGHT ARISE BY IMPLICATION OR OPERATION OF LAW, IS HEREBY EXCLUDED AND DISCLAIMED. UNDER NO CIRCUMSTANCES SHALL WESCO BE LIABLE TO PURCHASER OR ANY OTHER PERSON FOR ANY INCIDENTAL OR CONSEQUENTIAL DAMAGES, WHETHER ARISING OUT OF BREACH OF WARRANTY, EXPRESS OR IMPLIED, A BREACH OF CONTRACT OR OTHERWISE. EXCEPT TO THE EXTENT PROHIBITED BY APPLICABLE LAW, ANY IMPLIED WARRANTY OF MERCHANTABILITY AND FITNESS FOR ANY PARTICULAR PURPOSE ARE EXPRESSLY LIMITED IN DURATION TO THE DURATION OF THIS LIMITED WARRANTY.

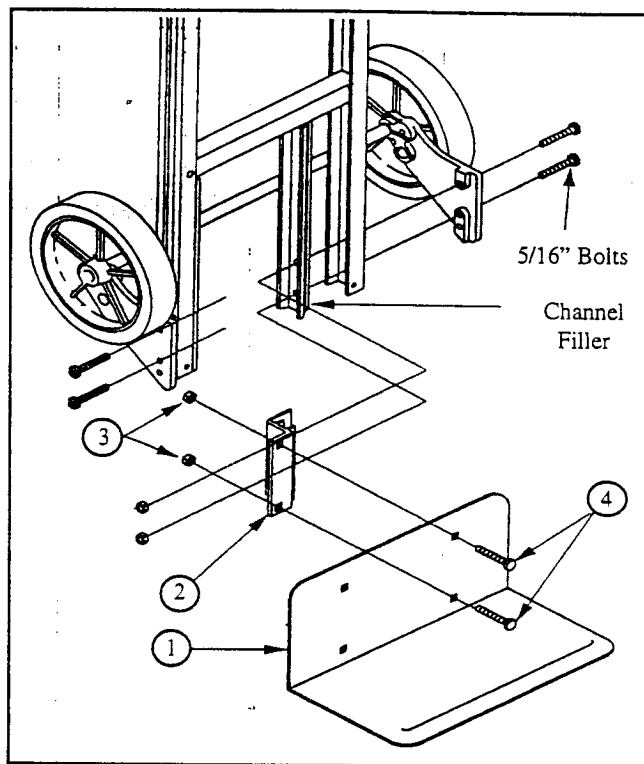
Some states do not allow the exclusion or limitation of incidental or consequential damages, or allow limitations on how long any implied warranty lasts, so the above limitations may not apply to you. This warranty gives you specific legal rights, and you may also have other rights which vary from state to state.

For a full range of Wesco products, request a catalog, or visit our web site at <http://www.wescomfg.com>

ASSEMBLY

1. Remove the 5/16" bolts which hold the current noseplate to the truck frame. There are 2 bolts on each side of the frame.
NOTE: Removing these bolts frees the wheel / axle assembly from the truck.
2. Remove the existing noseplate from the truck.
3. Bolt a noseplate clamp (item 2) to the backside of the new noseplate using 2 carriage bolts (item 4) and 2 hex locknuts (item 3) per clamp as shown in Figure 1.
Do not tighten until noseplate is mounted to the truck.
4. Repeat step 3 for the second clamp.
5. Mount the new noseplate assembly to the frame of the handtruck using the original 5/16" mounting bolts and nuts. Check /adjust alignment and tighten all bolts securely.

FIGURE 1



PARTS LIST

Kit No. E14K (P/N 220287)			
Item	P/N	Description	QTY
1	053297	Noseplate, Wesco. 14 x 7 5/8	1
2	055131	Clamp, Noseplate	2
3	108132	Locknut, Hex	4
4	108169	Bolt, Carraige 5/16-18 x 1	4

Kit No. E16K (P/N 220286)			
Item	P/N	Description	QTY
1	053296	Noseplate, Wesco. 16 x 12	1
2	055131	Clamp, Noseplate	2
3	108132	Locknut, Hex	4
4	108169	Bolt, Carraige 5/16-18 x 1	4

Kit No. E18K (P/N 220285)			
Item	P/N	Description	QTY
1	053295	Noseplate, Wesco. 18 x 7 5/8	1
2	055131	Clamp, Noseplate	2
3	108132	Locknut, Hex	4
4	108169	Bolt, Carraige 5/16-18 x 1	4