



Industrial Products, Inc.

2000Lb. POWER-LIFT STACKER

Operating Instructions and Parts Manual

ATTENTION: To insure proper use of your WESCO Power-Lift Stackers, read these instructions thoroughly before using. It is important that all personnel, involved with the installation, maintenance or operation of the stacker, read this manual.

Specifications

See nameplate on unit for capacity, load center, model number and truck serial number.

This product is manufactured by:

WESCO Industrial Products, Inc.

P.O. Box 47

Lansdale, PA 19446

Tel: 215-699-7031 FAX: 215-699-3836

Contact the factory if you have start-up problems after reading these instructions, or for parts information and parts ordering.

Unpacking

When unpacking your unit, check carefully for shipping damage. If damage has occurred, file a claim with the delivering carrier within 24 hours and notify the dealer from whom the unit was purchased.

Start-up

With the lift in the lowest position, check the following:

- (1) Check for signs of damage, especially to the back cabinet that houses the battery, electrical / hydraulic power pack.
- (2) Remove plastic pipe plug from oil reservoir, screw in breather cap.
- (3) Connect negative (black) wire to negative battery terminal and tighten.
- (4) Check all electrical connections for tightness.
- (5) Run unit up and down and check for any hydraulic oil leaks.
- (6) Do not use the lift if there appears to be any damage.

General Safety Information

WARNING: WESCO Power-Lift Stackers are intended for a wide range of uses. To insure proper use, the following instructions must be adhered to:

- (1) Load Rating: The capacity of your unit is shown on a metal tag attached to the truck. It is based on the load center also shown on the tag.
- (2) Do not use your unit for loads exceeding the size of the platform or forks.
- (3) Never move unit unless the load is in the fully lowered position.
- (4) Wesco power-lift stackers are intended for movement of loads and lifting of loads to work position, not for moving of loads in a raised position.
- (5) The floor lock is designed for minimizing movement of unit during loading and unloading of items from the units themselves. It is not to be used to control truck speed when being moved. Be sure that lock is fully engaged before loading and unloading.
- (6) Do not perform any repair work on lift if there is a load on the forks or platform or if the forks or platform is in the raised position.
- (7) All personnel must stand clear of the lift while lifting or lowering platform or forks.
- (8) Do not stand, sit or climb on lift or use unit to lift personnel.
- (9) Do not put hands or feet or stand underneath the forks or platform when raised.
- (10) Do not use lift on soft, uneven or unstable surfaces.
- (11) Custom alterations of units for specific functions not made at the factory void all warranties without exceptions. User made alterations may result in unsafe conditions

Operation

- (A) Operating Instructions
 - (1) Place power switch to "ON" position.
 - (2) To raise lift, push "Up" button on hand control pendant.
 - (3) To lower lift, push "Down" button.

- (4) Whenever the control button is released, the lift will stop.
- (5) Authorized operators should read and understand all instructions, precautions and warnings. Improper use of this lift truck could result in injury and/or damage to load and equipment.
 - Use lift on hard level surfaces only.
 - Make sure load is evenly distributed, not loose or unstable, and as far back on platform or forks as possible. **Do not pick up loads on tips of forks or edge of platform.**
 - For fork models, adjust forks to the maximum practical width. Use two forks, not one, to pick up loads.
 - Make sure travel, work area & overhead are clear of obstructions before lifting or moving loads.
 - Make sure floor lock pad is in firm contact with floor before lifting or lowering load or using as a workstation.
- (6) Turn unit "OFF" when not in use, to prolong battery life.

B) Daily Maintenance Checks:

WARNING: battery should be recharged on a regular basis. Repeated total discharge of battery can result in battery failure.

1. Battery
 - A. Check charge level. Warning: do not let battery
 - B. Check for corroded and loose terminals.
 - C. Visually inspect for any cracks or damage to battery casing.
 - D. Check for loose battery tie-downs.
2. Charger
 - A. Inspect wire connections.
 - B. Check power cord for nicks/damage.
3. Hydraulic System
 - A. Inspect pump and cylinder for oil leaks.
 - B. Check fluid level. Reservoir should be a minimum of one half full with a good grade of hydraulic oil (Premco #32 recommended). **DO NOT use hydraulic brake fluid.**
 - C. Check hydraulic fittings and hoses.
 - D. Check piston rod for nicks/damage.
4. Frame Assembly
 - A. Check floor lock.
 - B. Check safety screen & guards.
 - C. Check chain/roller assembly connections.
 - D. Check for any worn or damaged parts.

C) Monthly Maintenance Checks:

1. Battery
 - A. Clean battery compartment area.
 - B. Clean terminals.
2. Hydraulic System
 - A. Clean & inspect hydraulic cylinder.
 - B. Lubricate chain with a rust inhibitive "Chain Lube".
 - C. Check chain tension with lift at its lowest height, chain should be tight enough so that it does not come off roller assembly.
3. Frame Assembly
 - A. Clean and lubricate all roller bearings and cam followers.
 - B. Clean and inspect all welds.
 - C. Check wheels for wear and damage.
 - D. Inspect nameplate for legibility.

D) Battery Charging

1. Plug charging cord into a nominal 120 volt grounded circuit outlet.
 - The red **POWER ON** light will come on if connection is correct.
 - The yellow **80% CHARGE** light turns on to indicate that the battery is almost charged and that the charging current is beginning to taper down.
 - The green **FULL CHARGE** light turns on when the charger has completed its charging cycle and will automatically switch from charging mode to maintenance mode. Leaving the charger cord plugged in will increase battery life as the maintenance mode (green light on) prevents battery self discharge.
2. The power lift charging cord can be left plugged in for an indefinite period of time. The charger may be used any time to extend the operating time of your battery. You do not have to wait until the battery is run down.
3. The voltmeter will indicate battery condition even when the charger cord is not plugged in.

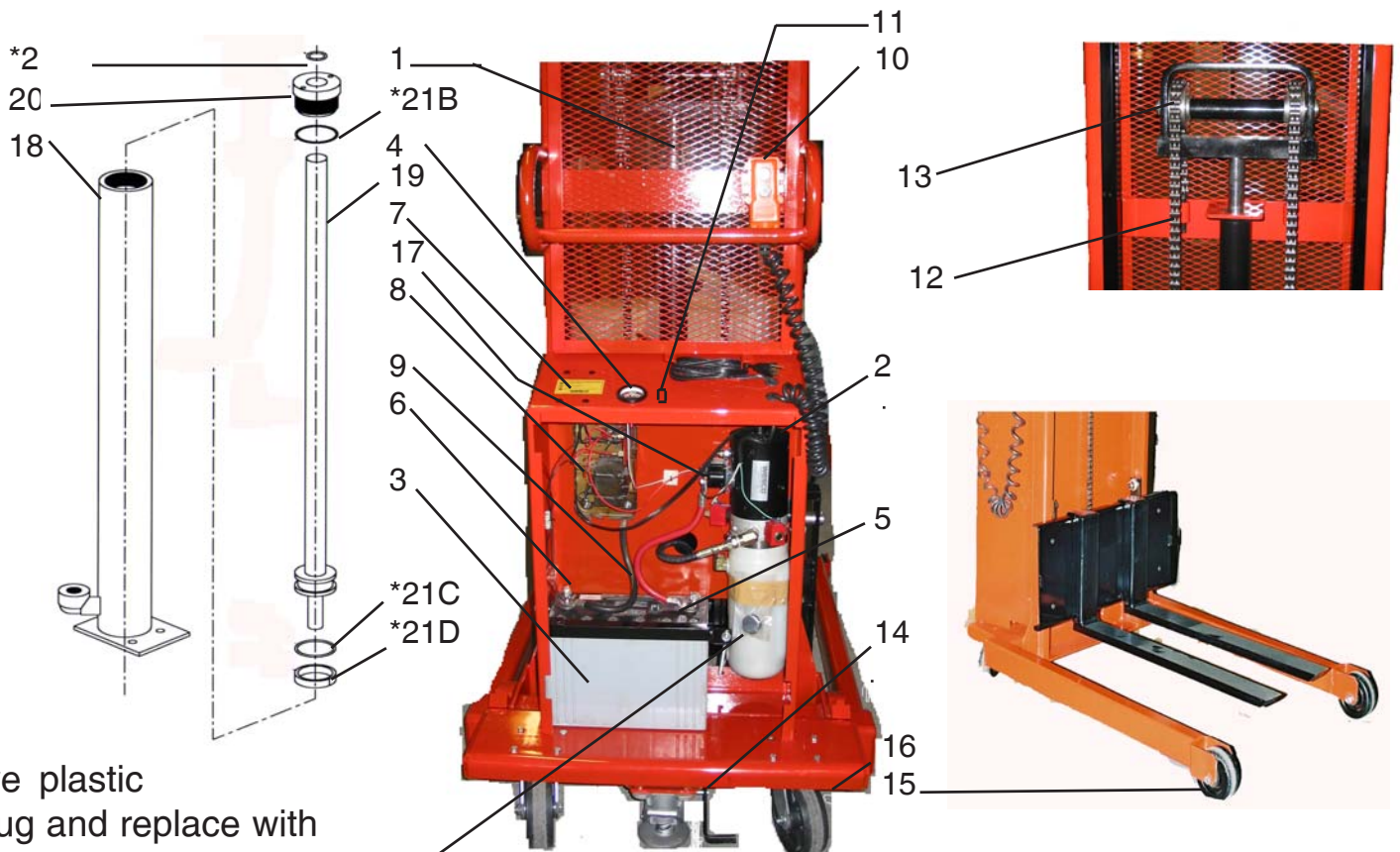
POWER-LIFT STACKER PARTS LIST

ITEM	QTY	DESCRIPTION	56"/60"LIFT	64"/68"LIFT	76"/80"LIFT	86"/90"LIFT
1	1	HYDRAULIC CYLINDER	051179	051180	051158	051181
2	1	POWER UNIT	109101	109101	109101	109101
3	1	BATTERY	109099	109099	109099	109099
4	1	VOLTMETER	109104	109104	109104	109104
5	1	BATTERY CABLE (NEG.)	052779	052779	052779	052779
6	1	BATTERY CABLE (POS.)	052780	052780	052780	052780
7	1	BOARD: INDICATOR LIGHT	109114	109114	109114	109114
8	1	BATTERY CHARGER	052762	052762	052762	052762
9	1	HYDRAULIC HOSE	125824	125824	125824	125824
10	1	REMOTE CONTROL ASS'Y	052726	052726	052726	052726
11	1	SWITCH	109325	109325	109325	109325
12	2	LIFT CHAIN ASSEMBLY	050781	050782	050783	050784
13	2	CHAIN ROLLER ASS'Y	050776	050776	050776	050776
14	1	FLOOR LOCK	052010	052010	052010	052010
15	2	WHEEL	053769	053769	053769	053769
16	2	CASTER	054267	054267	054267	054267
17	1	SOLENOID	109117	109117	109117	109117

HYDRAULIC CYLINDER PARTS LIST

18	1	CYLINDER	051194	051193	051192	051190
19	1	PISTON	051045	051044	051137	051138
20	1	CYLINDER CAP	050006	050006	050006	050006
21	1	SEAL KIT	050726	050726	050726	050726
*21A		"O" RING	-----	-----	-----	-----
*21B		"O" RING	-----	-----	-----	-----
*21C		"O" RING	-----	-----	-----	-----
*21D		PISTON GUIDE RING	-----	-----	-----	-----

PARTS SHOWN WITH (*), COMPRISE "SEAL KIT" P/N 050726.-



Remove plastic pipe plug and replace with breather cap prior to operation.

Warranty Repairs

If unit does not work properly, contact your dealer or the factory (215-699-7031), within one year of purchase date.

Non-Warranty Service

For units older than one year, repairs can be made easily on site with factory supplied parts, or repairs can be made at the factory. **NOTE: Do not send units to the factory for service without obtaining a "returned materials authorization" (RMA) number from the service department. We will not be responsible for goods returned without proper authorization.**

To Purchase Parts

A complete parts list with drawings appears in this manual. **To order parts** contact the factory at the phone or fax numbers shown on page 1 of this manual. **Ask for the Customer Service Department.**

WARNING: CHARGER (P/N 052762) IS ESPECIALLY DESIGNED FOR USE WITH WESCO BATTERY (P/N 109102), USE OF BATTERIES OTHER THAN WESCO'S MAY RESULT IN DAMAGE TO CHARGER, AND WILL VOID ALL WARRANTIES.

TROUBLESHOOTING

Problem	Check	Service Required
Stacker does not operate. (Pump does not run)	Power switch is in "OFF" position.	Place in "ON" position.
	Battery charger indicator lights.	Charge battery until yellow or green light is lit.
	Voltmeter indicates 12 volts	Charge battery until yellow or green light is lit.
	Battery terminals and cables	Clean if corroded (white powder). Tighten terminal bolts.
	Hydraulic oil level	Fill oil reservoir to proper level.
Stacker does not lift to full height. (Pump runs)	Oil leaks	Tighten fittings. Replace hydraulic hose if required.
Stacker creeps down under load	Dirt in oil holding valve open	Raise stacker to full height then lower in stages, 6" to 12" at a time to its lowest point. Repeat this cycle several times until dirt is cleared and unit operates properly. Replace oil with clean hydraulic oil if contaminated.
	Oil leaks	Tighten fittings. Replace hydraulic hose if required. Replace "O" rings.
Pump runs continuously	Malfunction solenoid	Replace pump-motor solenoid.

LIMITED WARRANTY

Wesco Industrial Products, Inc. (WESCO) warrants to the purchaser of this product for a period of one year from the date of purchase that this product shall be free of defects in material and/or workmanship, as follows:

1. WESCO will supply, at no charge, new or rebuilt replacements for any part that fails through a defect in material and/or workmanship during the warranty period. To obtain warranty service, you must deliver the product prepaid, to the WESCO factory.
2. This warranty does not cover any product or product part which has been subject to accident, misuse, abuse or negligence. WESCO shall only be liable under this warranty if the product is used in the manner intended by the manufacturer as specified in the written instructions furnished with this product.

REPAIR OR REPLACEMENT AS PROVIDED UNDER THIS WARRANTY IS THE EXCLUSIVE REMEDY OF THE PURCHASER. ANY EXPRESS WARRANTY NOT PROVIDED IN THIS WARRANTY DOCUMENT, AND ANY REMEDY FOR BREACH OF CONTRACT THAT, BUT FOR THIS PROVISION, MIGHT ARISE BY IMPLICATION OR OPERATION OF LAW, IS HEREBY EXCLUDED AND DISCLAIMED. UNDER NO CIRCUMSTANCES SHALL WESCO BE LIABLE TO PURCHASER OR ANY OTHER PERSON FOR ANY INCIDENTAL OR CONSEQUENTIAL DAMAGES, WHETHER ARISING OUT OF BREACH OF WARRANTY, EXPRESS OR IMPLIED, A BREACH OF CONTRACT OR OTHERWISE. EXCEPT TO THE EXTENT PROHIBITED BY APPLICABLE LAW, ANY IMPLIED WARRANTY OF MERCHANTABILITY AND FITNESS FOR ANY PARTICULAR PURPOSE ARE EXPRESSLY LIMITED IN DURATION TO THE DURATION OF THIS LIMITED WARRANTY.

Some states do not allow the exclusion or limitation of incidental or consequential damages, or allow limitations on how long any implied warranty lasts, so the above limitations may not apply to you. This warranty gives you specific legal rights, and you may also have other rights which vary from state to state.