

WESCO®

FN-24 Folding Nose Assembly (#210099) FNG-24 Folding Nose Assembly (#210475) Operating Instructions and Parts Manual

Attention: To insure proper use of your Wesco Folding Nose, read and follow these instructions before using.

Specification

The Wesco FN-24 and FNG-24 Folding Nose are designed exclusively for use with Wesco 100 Series (FN-24) and Greenline (FNG-24) hand trucks to assist in the handling of bulky items

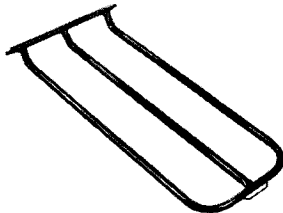


Figure 1

This product is manufactured by:
Wesco Industrial Products, Inc.
P.O. Box 47
Lansdale, PA 19446
Tel: 215-699-7031 FAX: 215-699-3836

Contact the factory if you have problems after reading these instructions, or for parts information and parts ordering.

Unpacking

When unpacking your FN-24 or FNG-24 Folding Nose, check carefully for shipping damage and missing parts. If damage has occurred or any parts are missing, file a claim with the delivering carrier within 24 hours and notify the dealer from whom the set was purchased.

Assembly for FN-24

The Wesco FN-24 Folding Nose requires installation when not factory installed. Please follow the procedure below for simple and correct installation. The steps are matched to the letters shown in Figure 2.

- (A) If not already off, remove wheels. To do this, straighten either one of the cotter pins on the wheel axle. Remove cotter pin from axle, followed by washer(s), wheel, and more washers. From other side, slide remaining wheel, and axle from frame.
- (B) Place folding nose (1) inside "u" shaped lower cross bar, positioning pivot tube in line with holes.
- (C) Slide pivot rod (2) through one hole, pivot tube, then other hole.
- (D) Insert cotter pins (3) in holes on each end of rod and bend pins enough to prevent pivot rod from sliding out.
- (E) Install hook (4) on center strap in position shown in Figure 2. This allows for installation in "u" piece on end of the folding nose, so the folding nose can be stored out of the way when not in use (Figure 4).
- (F) Reinstall wheels by reversing Step A.

Assembly for FNG-24

- (A) If not already off, remove wheels. To do this, straighten either one of the cotter pins on the wheel axle. Remove cotter pin from axle, followed by washer(s), wheel, and more washers. From other side, slide remaining wheel, and axle from frame.
- (B) Place folding nose (1) inside "u" shaped lower crossbar, positioning pivot tube in line with holes.
- (C) Slide pivot rod (2A) through one hole, spacer (5) positioning pivot tube, spacer (5) in line with holes.
- (D) Insert cotter pins (3) in holes on each end of rod, and bend pins enough to prevent the pivot rod from sliding out.
- (E) Install hook (4) on center strap in position shown in Figure 2. This allows for installation in "u" piece on end of the folding nose, so the folding nose can be stored out of the way when not in use (Figure 4).
- (F) Reinstall wheels by reversing Step A.

General Safety Information

Warning: The Wesco FN-24 or FNG-24 Folding Nose is intended for specific functions. Please adhere to the following instructions to insure proper use.

- (1) Maximum capacity: limited to that of the truck on which they are installed.
- (2) The Wesco FN-24 and FNG-24 Folding Nose are designed exclusively for use with Wesco 100 Series (FN-24) and Greenline (FNG-24) hand trucks to assist in the handling of bulky items.
- (3) Do not install or attempt to install the FN-24 or FNG-24 Folding Nose on any trucks other than Wesco 100 Series (FN-24) or Greenline (FNG-24) utility trucks.
- (4) Periodically, inspect folding nose for damage, wear and loose hardware. If required, remove from service and repair.
- (5) Use only genuine Wesco replacement parts when servicing.

For Warranty Repairs

- (1) If unit does not work properly, contact your dealer or the factory (215-699-7031) for units less than ninety days old.

Parts List

For Non-Warranty Service:

ITEM	PART NO.	DESCRIPTION	QTY	(1)
1	053316	Folding Nose	1	
2	050045	Pivot Rod (FN-24)	1	
2A	050047	Pivot Rod (FNG-24)	1	
3	108431	Cotter Pin	2	
4	108232	Retaining Hook	1	
5	050051	Spacer (FNG-24)	2	

For units older than ninety days, repairs can be made easily on site with factory supplied parts.

NOTE: Do not send units to the factory for service without obtaining a "returned goods authorization number" from the service department. We will not be responsible for goods returned without proper authorization.

To Purchase Parts:

- (1) A complete parts list with drawings appear in this manual. **To order parts**, contact the factory at the phone or fax numbers shown on page 1 of this manual. **Ask for the Customer Service Department.**

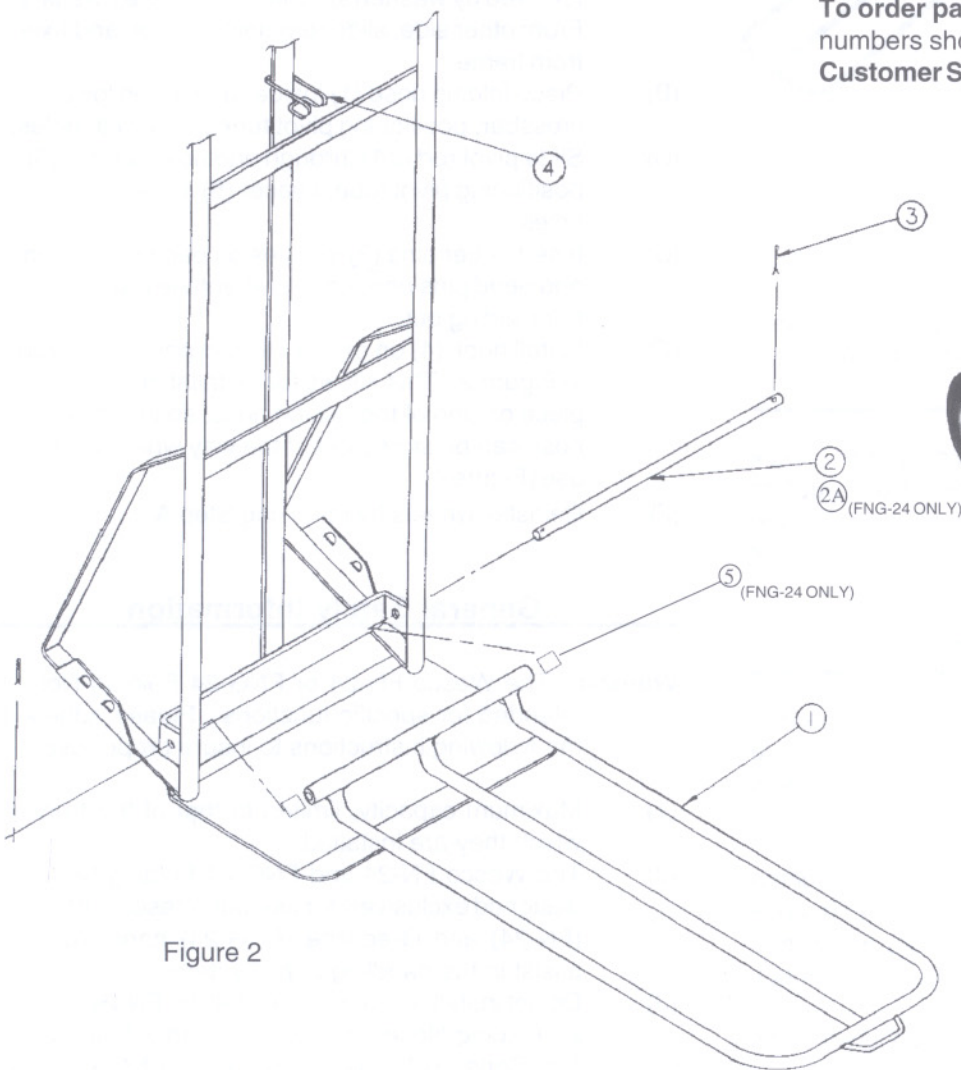


Figure 2

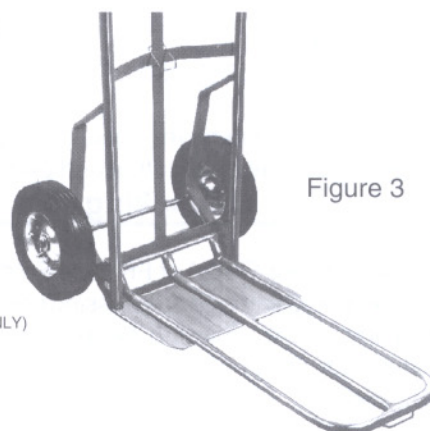


Figure 3



Figure 4

LIMITED WARRANTY

Wesco Industrial Products, Inc. (WESCO) warrants to the purchaser of this product for a period of ninety (90) days from the date of purchase that this product shall be free of defects in material and/or workmanship, as follows:

1. WESCO will supply, at no charge, new or rebuilt replacements for any part that fails through a defect in material and/or workmanship during the warranty period. To obtain warranty service, you must deliver the product prepaid, to the WESCO factory.

2. This warranty does not cover any product or product part which has been subject to accident, misuse, abuse or negligence. WESCO shall only be liable under this warranty if the product is used the manner intended by the manufacturer as specified in the written instructions furnished with this product.

REPAIR OR REPLACEMENT AS PROVIDED UNDER THIS WARRANTY IS THE EXCLUSIVE REMEDY OF THE PURCHASER. ANY EXPRESS WARRANTY NOT PROVIDED IN THIS WARRANTY DOCUMENT, AND ANY REMEDY FOR BREACH OF CONTRACT THAT, BUT FOR THIS PROVISION, MIGHT ARISE BY IMPLICATION OR OPERATION OF LAW, IS HEREBY EXCLUDED AND DISCLAIMED. UNDER NO CIRCUMSTANCES SHALL WESCO BE LIABLE TO PURCHASER OR ANY OTHER PERSON FOR ANY INCIDENTAL OR CONSEQUENTIAL DAMAGES, WHETHER ARISING OUT OF BREACH OF WARRANTY, EXPRESS OR IMPLIED, A BREACH OF CONTRACT OR OTHERWISE. EXCEPT TO THE EXTENT PROHIBITED BY APPLICABLE LAW, ANY IMPLIED WARRANTY OF MERCHANTABILITY AND FITNESS FOR ANY PARTICULAR PURPOSE ARE EXPRESSLY LIMITED IN DURATION TO THE DURATION OF THIS LIMITED WARRANTY.

Some states do not allow the exclusion or limitation of incidental or consequential damages, or allow limitations on how long any implied warranty lasts, so the above limitations may not apply to you. This warranty gives you specific legal rights, and you may also have other rights which vary from state to state.