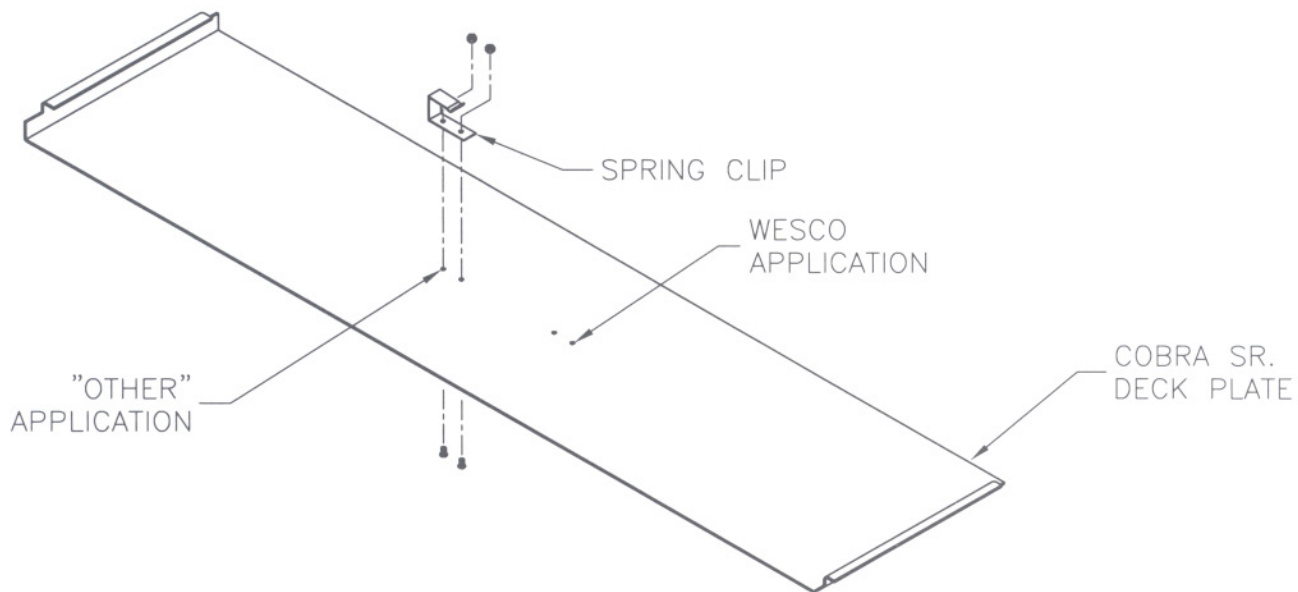
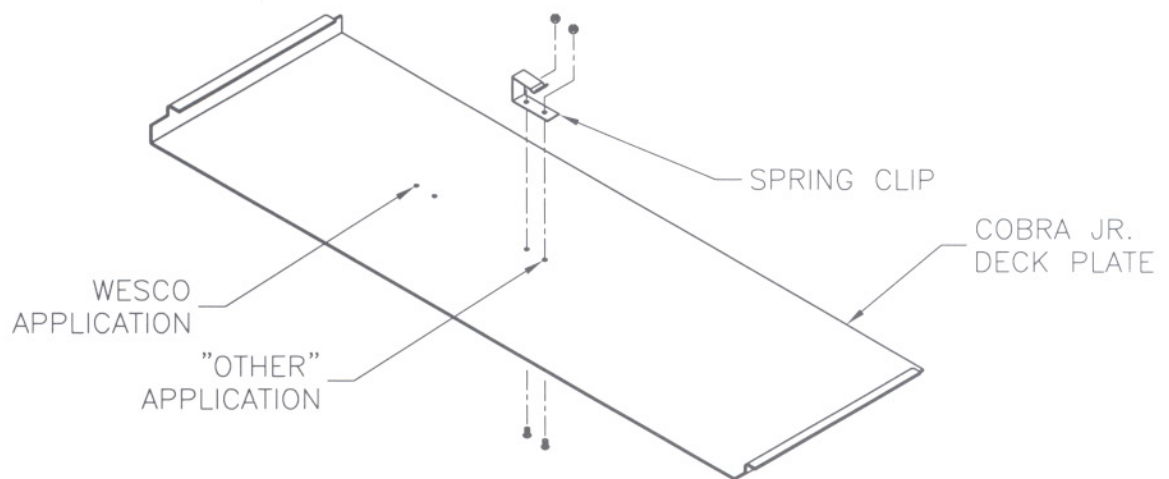


# WESCO

COBRA JR. & SR.

## DECK PLATE ASSEMBLY

### INSTALLATION INSTRUCTIONS



#### To Install Spring Clip:

(P/N 108958)

- 1) Locate the spring clip (108958) over the pair of mounting holes that correspond to your application.
- 2) Insert (2) 10-32 x 3/8 pan head screws (108103) thru the deck plate and thru the spring clip as indicated.
- 3) Attach (2) 10-32 kep nuts (101221) to the screws and tighten securely.

#### To Install Deck Assembly:

(P/N 220318 & 220514)

- 1) Locate the top of the deck over the top of the hand truck.
- 2) Apply pressure to the deck while sliding the deck downward engaging the spring clip and the bottom of the deck.
- 3) When properly installed, the spring clip will engage a crossbrace and the bottom of the deck will engage the noseplate.

#159174A