

WESCO®

Standard Drum Cradles - CW Series Operating Instructions and Parts Manual

Attention: To insure proper use of your Wesco Drum Cradles read and follow these instructions before using.

Specifications

The Wesco Drum Cradle is designed for economical storage of 55 gallon drums in the horizontal position. The drum can be easily tilted from the upright position and then conveniently positioned for draining into smaller containers.

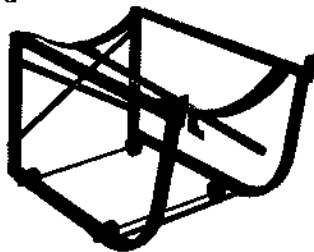


Figure 1
CW-10

This product is manufactured by:

WESCO Manufacturing Co.

P.O. Box 47

Lansdale, PA 19446

Tel: 215-699-7031 FAX: 800-346-5511

Contact the factory if you have problems after reading these instructions, or for parts information and parts ordering.

Unpacking

When unpacking your Wesco Drum Cradle, check carefully for shipping damage and missing parts. If damage has occurred or any parts are missing, file a claim with the delivering carrier within 24 hours and notify the dealer from whom the cradle was purchased.

General Safety Information

Warning: The Wesco Drum Cradle is intended for specific functions. Please adhere to the following instructions to insure safe and proper use.

- (1) Maximum capacity including drum: 600 lbs.
- (2) The Wesco Drum Cradles are intended for use with standard 55 gallon steel drums. Follow the illustrations on page 4 for safe operation.
- (3) Make sure spigot is in proper position before tilting. Drum should not be rolled when cradle and drum are horizontal.
- (4) Tilt only drums standing directly on floor. Do not attempt to tilt drums from pallets or dollies.
- (5) Wheels are supplied to facilitate moving cradle easily into storage position. Do not move cradle long distances. When movement is needed, move loaded unit slowly.
- (6) Do not roll down inclines.

Maintenance

- (1) Check bolts and nuts frequently for tightness.

For Warranty Service

- (1) If unit does not work properly, contact your dealer or the factory (215-699-7031) for units less than ninety days old.

For Non-Warranty Service:

- (1) For units older than ninety days, repairs can be made easily with factory authorized parts.
NOTE: Do not send units to the factory for service without obtaining a "returned goods authorization number" from the Service Department. We will not be responsible for goods returned without proper authorization.

To Purchase Parts:

- (1) A complete parts list with drawings appears on the next page of this manual.
To order parts contact the factory at the phone or fax numbers shown above. **Ask for the Customer Service Department.**

LIMITED WARRANTY

WESCO MANUFACTURING COMPANY (WESCO) warrants to the purchaser of this product for a period of ninety (90) days from the date of purchase that this product shall be free of defects in material and/or workmanship, as follows:

1. WESCO will supply, at no charge, new or rebuilt replacements for any part that fails through a defect in material and/or workmanship during the warranty period. To obtain warranty service, you must deliver the product prepaid, to the WESCO factory.

2. This warranty does not cover any product or product part which has been subject to accident, misuse, abuse or negligence. WESCO shall only be liable under this warranty if the product is used in the manner intended by the manufacturer as specified in the written instructions furnished with this product.

REPAIR OR REPLACEMENT AS PROVIDED UNDER THIS WARRANTY IS THE EXCLUSIVE REMEDY OF THE PURCHASER. ANY EXPRESS WARRANTY NOT PROVIDED IN THIS WARRANTY DOCUMENT, AND ANY REMEDY FOR BREACH OF CONTRACT THAT, BUT FOR THIS PROVISION, MIGHT ARISE BY IMPLICATION OR OPERATION OF LAW, IS HEREBY EXCLUDED AND DISCLAIMED. UNDER NO CIRCUMSTANCES SHALL WESCO BE LIABLE TO PURCHASER OR ANY OTHER PERSON FOR ANY INCIDENTAL OR CONSEQUENTIAL DAMAGES, WHETHER ARISING OUT OF BREACH OF WARRANTY, EXPRESS OR IMPLIED, A BREACH OF CONTRACT OR OTHERWISE, EXCEPT TO THE EXTENT PROHIBITED BY APPLICABLE LAW, ANY IMPLIED WARRANTY OF MERCHANTABILITY AND FITNESS FOR ANY PARTICULAR PURPOSE ARE EXPRESSLY LIMITED IN DURATION TO THE DURATION OF THIS LIMITED WARRANTY.

Some states do not allow the exclusion or limitation of incidental or consequential damages, or allow limitations on how long any implied warranty lasts, so the above limitations may not apply to you. This warranty gives you specific legal rights, and you may also have other rights which vary from state to state.

Parts List

Part Number	Description	Quantity			
			108219	Cotter Pin	4
050334	22.5" Axle	2	108447	3" Swivel Caster for CWS	0 or 2
051292	18.5" Axle Weldment	1 or 2	108529	<u>Hardware Kit</u>	1
051349	Plain Saddle	1 or 2		Consists of:	
054175	Tilt Bar	0 or 1		Axle Clips	4
054176	Slotted Saddle	0 or 1		Bolts	23
054177	Cross Brace	2		Nuts	23
054178	Side Frame	2	053430	<u>Hardware Kit for CWS Models</u>	0 or 1
054179	Bottom Spreader Bar	1		Consists of:	
054180	Caster Mounting Bar	0 or 1		Carriage Bolts	8
150103	2.5" Polyolefin Wheel	2 or 4		Kep Nuts	8
108200	Flat Washer	12		#105103 Wheel	2

Assembly

Recommended Tools: Two - 7/16" wrenches

Note: Assemble all parts loosely.

STEP 1: For All Cradles

- (1) Bolt #051349 Saddle to 4 holes in the top of both side frames (#054178).
- (2) For other saddle, go to Step 2 for your specific model.
- (3) Bolt the two cross braces (#054177) together, then bolt to front on both side frames.
- (4) Bolt spreader bar (#054179) across side frames.

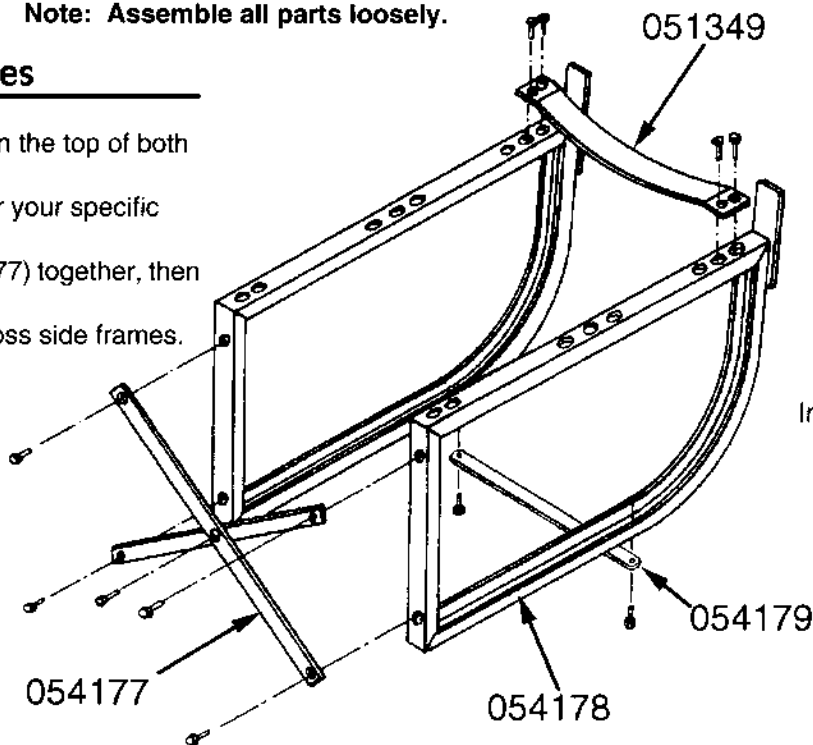


Figure 2
Initial Frame Assembly

STEP 2: For C-5, CW-5

- (1) Bolt second saddle (#051349) to 4 holes in the top of both side frames (#054178). See Figure 3.
- (2) Tighten all bolts. Assembly of the C-5 is now complete.

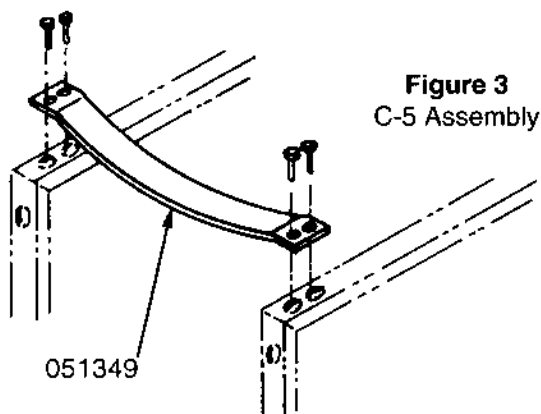


Figure 3
C-5 Assembly

STEP 2: For C-10, CW-10, CWO-10, CWS-10

- (1) Bolt slotted saddle (#054176) to 4 holes in the top of both side frames (#054178). This is used to operate and store tilting bar (#054175). See Figure 4. Proceed to next step.

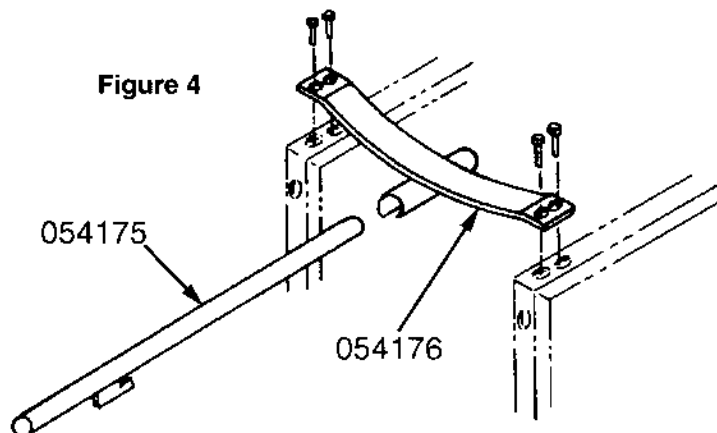


Figure 4

STEP 3: For CW-5, CW-10 (2W472)

- (1) Slide wheels (#150103) onto axles (#051292). With cradle upside down, place axle clips (from #108529) over the axles, and bolt to side frames. See Figure 5.
- (2) Return cradle to proper position. Tighten all bolts. (Note: extra bolts are supplied with kit). Store drum hook (#054175) in slotted tube under saddle (CW-10 Only). See Figure 4. Assembly is now complete.

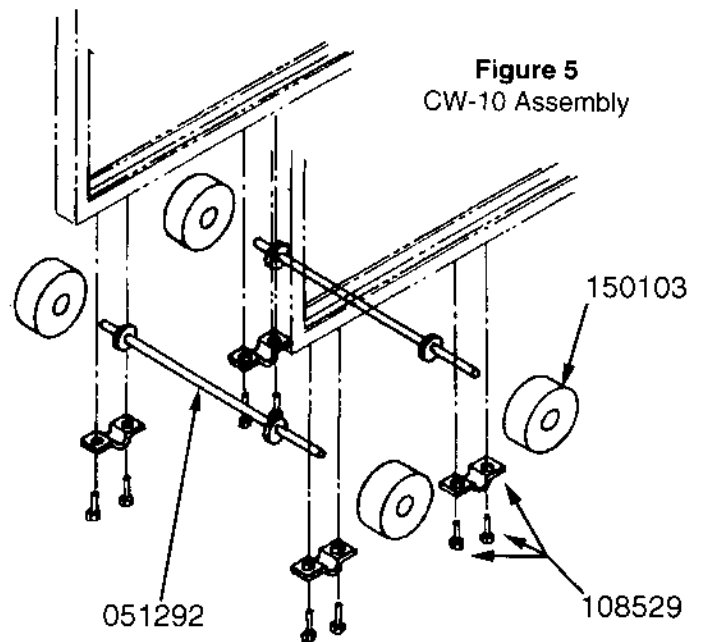


Figure 5
CW-10 Assembly

STEP 3: For CWO-10

- (1) With cradle upside down, place axle clips (from #108529) over the axles (#050334), and bolt loosely to side frames. Center axles by eye. Slide two washers (#108200) on each axle as shown. Slide wheels (#150103) onto axles, then one more washer for each wheel. Insert cotter pins (#108219) in holes at end of axles and bend. See Figure 6.
- (2) Return cradle to proper position. Tighten all bolts. (Note: extra bolts are supplied with kit). Store drum hook (#054175) in slotted tube under saddle. See Figure 4. Assembly is now complete.

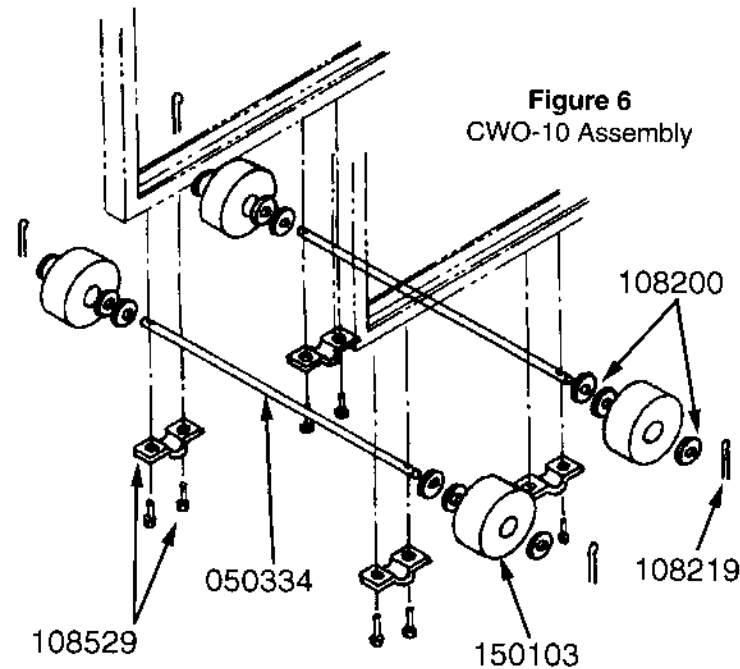


Figure 6
CWO-10 Assembly

STEP 3: For CWS-10 (4W458)

- (1) Slide wheels (#150103) onto axle (#051292). With cradle upside down, place axle clips (from #108529) over the axle, and bolt to side frames. See Figure 7.
- (2) Assemble casters (#108447) to mounting plate (#054180) as shown with carriage bolts and Kep nuts. Bolt completed assembly to frame as shown.
- (3) Return cradle to proper position. Tighten all bolts. (Note: extra bolts are supplied with kit). Store drum hook (#054175) in slotted tube under saddle. See Figure 4. Assembly is now complete.

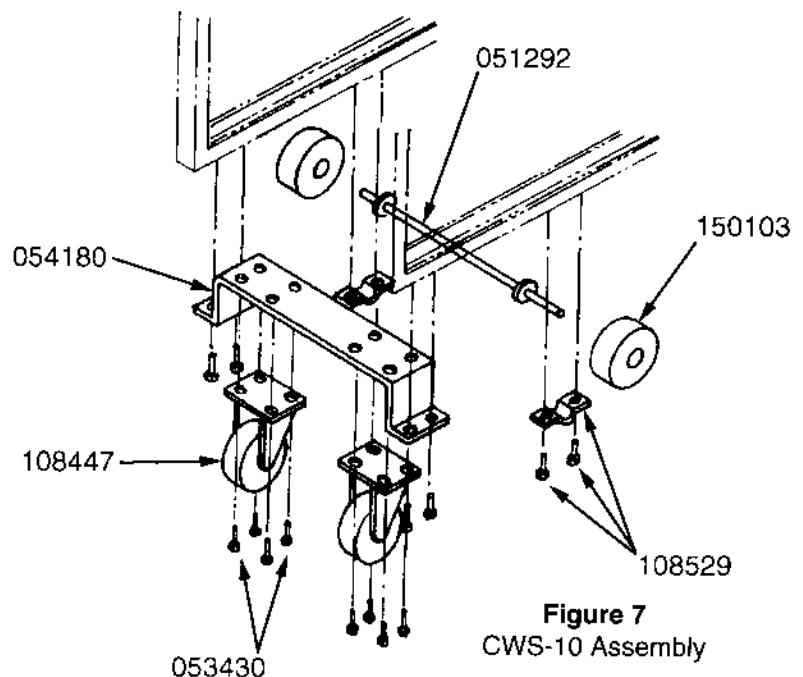
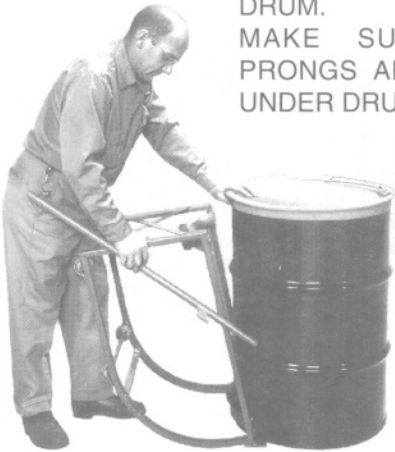


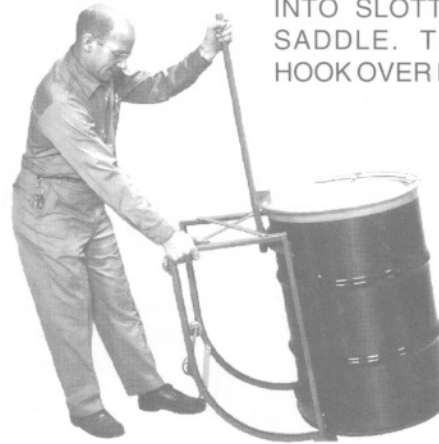
Figure 7
CWS-10 Assembly

Operation For C-10, CW-10(2W472), CWO-10, CWS-10(4W458)

STEP 1
PLACE CRADLE NEXT TO DRUM.
MAKE SURE CRADLE PRONGS ARE SECURELY UNDER DRUM.



STEP 2
PLACE TILT BAR (HANDLE) INTO SLOTTED TUBE IN SADDLE. THEN PLACE HOOK OVER DRUM CHIME.



STEP 3
TIP LOAD ON CURVED SECTION OF CRADLE.



STEP 4
PLACE CRADLE IN STORAGE LOCATION.



Operation For C-5 & CW-5

The C-5 and CW-5 Drum Cradles are not supplied with a tilt bar. Therefore, it is not recommended to use the cradle to tilt the drum, but only to store the drum in a horizontal position. For loading, Wesco recommends the use of a Wesco International Drum Sling, available in steel (#440009, ECOA Model DLS-1000) or bronze (#440010, ECOA Model DLS-750).