

SQUARE DRUM DOLLY WITH HANDLE

PART NUMBERS 240040, 240041

ASSEMBLY INSTRUCTIONS

ATTENTION: TO INSURE SAFE AND EASY USE OF YOUR WESCO DRUM DOLLY, READ THESE INSTRUCTIONS BEFORE ASSEMBLY.

Description

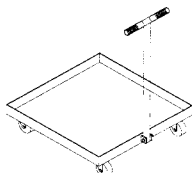
The Wesco drum dollies are designed for safe, easy, transportation of 55 gallon drum.

Wesco Industrial Products, Inc.
P.O. Box 47
Lansdale, PA 19446
Tel: 215-699-7031
Fax: 215-699-3836

For full range of Wesco products, request a catalog, or visit our Web site at <http://www.WESCOMFG.COM>

Contact the factory if you have any problems after reading these instructions, or for parts information and parts ordering.

Figure 1



Specifications

Model No.	Capacity	Unit ID	Drum Size	Weight
240040	900 lb	24"	50 gal.	34 lbs
240041	900 lb	24"	50 gal.	27 lbs

Unpacking

When unpacking your unit, check carefully for shipping damage. If damage has occurred, file a claim with the delivering carrier within 24 hours and notify the dealer from whom the unit was purchased. Also check for missing parts.

General Safety Information

Warning: The Wesco Drum Dollies are designed for the movement of drums. To insure safe use, the following instructions must be adhered to.

- (1) **Load Rating:** The capacity of your unit is shown on a label on the side of the dolly. Do not exceed load rating printed on the label. Always use caution when using unit at or near capacity.
- (2) It is not recommended to use your unit for loads exceeding the size of the dolly.
- (3) If custom alterations, to the Drum Dolly, are not made at the factory, Wesco will void all warranties. User made alterations may result in unsafe conditions during use of unit.
- (4) Do not use unit on inclines.
- (5) Inspect unit thoroughly daily before operation
- (6) Make sure that all bolts are completely tightened.
- (7) Do not operate a damaged unit until it is completely repaired.

Warranty Repairs

If unit does not work properly at time of purchase, contact your dealer or the factory at (215)-699-7031.

Non Warranty Repairs

Repairs can be made easily on site with factory supplied parts. **Note:** Do not send units to the factory for service without obtaining a "returned goods authorization number" from the customer service department. We will not be responsible for good returned without proper authorization.

To Purchase Parts

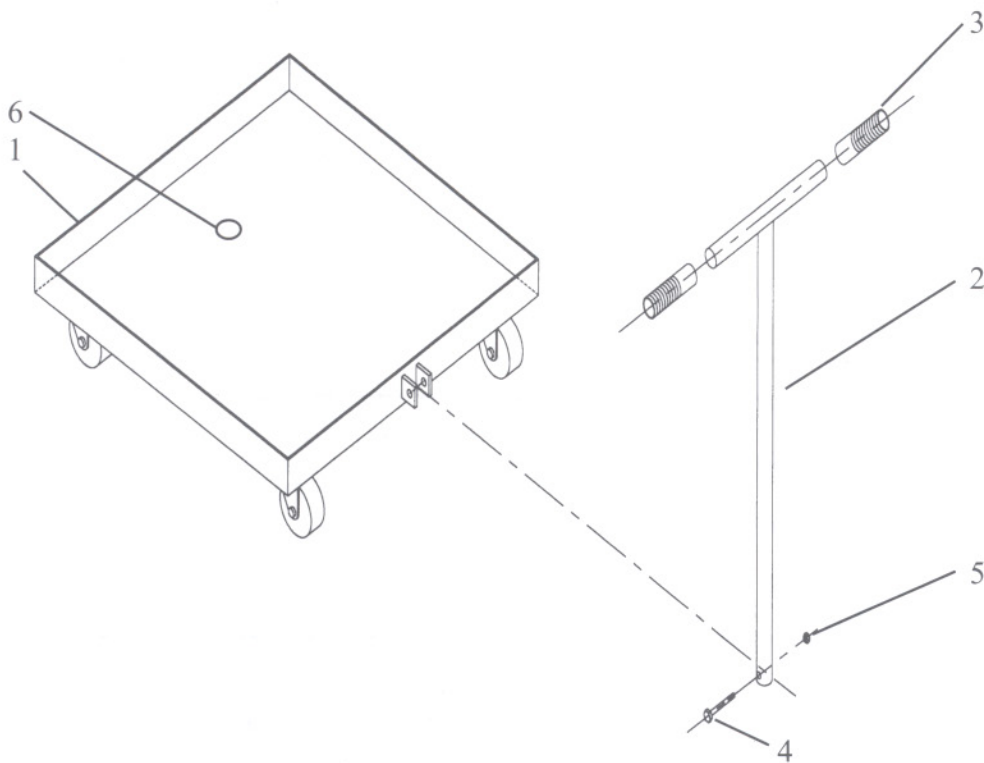
To order parts, contact the factory by the phone or fax numbers shown on this page. **Ask for the Customer Service Department.**

PARTS LIST

MODEL NO: 240040

MODEL NO: 240040

<u>IT.</u>	<u>PART NO.</u>	<u>DESCRIPTION</u>	<u>QTY.</u>	<u>IT.</u>	<u>PART NO.</u>	<u>DESCRIPTION</u>	<u>QTY.</u>
1	053388	BASE	1	1	053389	BASE	1
2	053390	HANDLE	1	2	053390	HANDLE	1
3	108226	HANDGRIP	2	3	108226	HANDGRIP	2
4	101129	SCR: HEX HD. 3/8-16 x 2 1/4 LG.	1	4	101129	SCR: HEX HD. 3/8-16 x 2 1/4 LG.	1
5	108180	NUT: LOCK HEX 3/8-16	1	5	108180	NUT: LOCK HEX 3/8-16	1
6	125830	PLUG: PIPE 1/2 I.P.S.	1	6	125830	PLUG: PIPE 1/2 I.P.S.	1



Wesco Industrial Products, Inc. (WESCO) warrants to the purchaser of this product for a period of ninety (90) days from the date of purchase that this product shall be free of defects in material and/or workmanship, as follows:

1. WESCO will supply, at no charge, new or rebuilt replacements for any part that fails through a defect in material and/or workmanship during the warranty period. To obtain warranty service, you must deliver the product prepaid, to the WESCO factory.
 2. This warranty does not cover any product or product part which has been subject to accident, misuse, abuse or negligence. WESCO shall only be liable under this warranty if the product is used the manner intended by the manufacturer as specified in the written instructions furnished with this product.
- REPAIR OR REPLACEMENT AS PROVIDED UNDER THIS WARRANTY IS THE EXCLUSIVE REMEDY OF THE PURCHASER. ANY EXPRESS WARRANTY NOT PROVIDED IN THIS WARRANTY DOCUMENT, AND ANY REMEDY FOR BREACH OF CONTRACT THAT, BUT FOR THIS PROVISION, MIGHT ARISE BY IMPLICATION OR OPERATION OF LAW, IS HEREBY EXCLUDED AND DISCLAIMED. UNDER NO CIRCUMSTANCES SHALL WESCO BE LIABLE TO PURCHASER OR ANY OTHER PERSON FOR ANY INCIDENTAL OR CONSEQUENTIAL DAMAGES, WHETHER ARISING OUT OF BREACH OF WARRANTY, EXPRESS OR IMPLIED, A BREACH OF CONTRACT OR OTHERWISE. EXCEPT TO THE EXTENT PROHIBITED BY APPLICABLE LAW, ANY IMPLIED WARRANTY OF MERCHANTABILITY AND FITNESS FOR ANY PARTICULAR PURPOSE ARE EXPRESSLY LIMITED IN DURATION TO THE DURATION OF THIS LIMITED WARRANTY.
- Some states do not allow the exclusion or limitation of incidental or consequential damages, or allow limitations on how long any implied warranty lasts, so the above limitations may not apply to you. This warranty gives you specific legal rights, and you may also have other rights which vary from state to state.