

# WESCO

## DGM-30A ADAPTER INSTRUCTION SHEET

Attention: To insure safe and proper use of your Wesco FBA Adapter, read these instructions before use.

### Specifications

THE DGM-30A adapter is designed for use with the DGL-55, DL-55, and ML-55 drum handling equipment (Figure 1). The adapter is not recommended for use with Poly or Fiber drums.

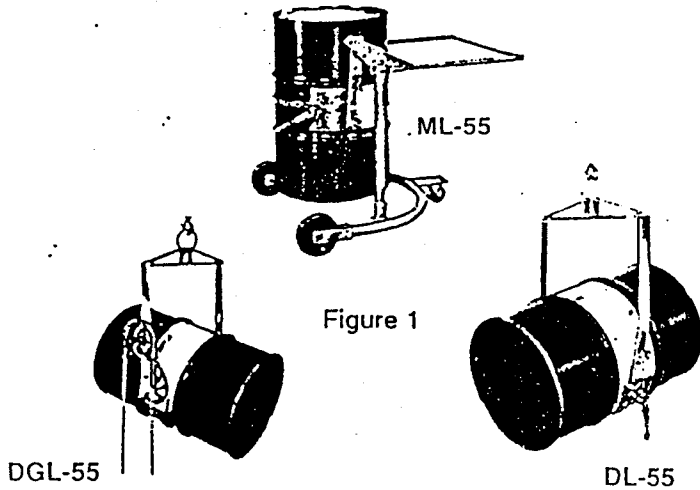


Figure 1

This product is manufactured by:  
WESCO Manufacturing Company  
P.O. Box 47  
Lansdale, PA 19446  
Tel: 215-699-7031 FAX: 800-346-5511

Contact the factory if you have any problems after reading these instructions, or for parts information and parts ordering. Include the model of unit to ensure proper handling of your order.

### Unpacking

When unpacking your unit, check carefully for shipping damage. If damage has occurred, file a claim with the delivering carrier within 24 hours and notify the dealer from whom the unit was purchased.

### LIMITED WARRANTY

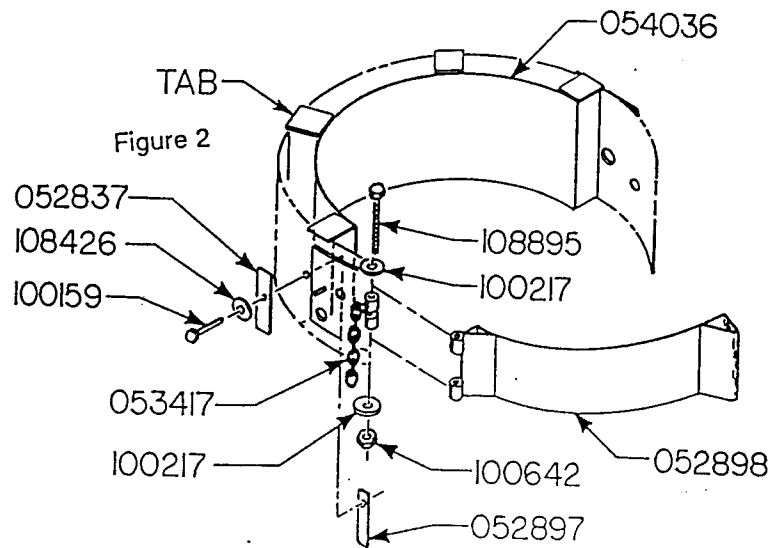
WESCO MANUFACTURING COMPANY (WESCO) warrants this product against defects in material or workmanship, as follows:  
1. WESCO will supply, at no charge, new or rebuilt replacements for defective parts for a period of 90 days from the date of purchase. To obtain warranty service, you must deliver the product prepaid, to the WESCO factory, after receiving a return authorization from the factory. This warranty does not cover any damage due to accident, misuse, abuse or negligence.

REPAIR OR REPLACEMENT AS PROVIDED UNDER THIS WARRANTY IS THE EXCLUSIVE REMEDY OF THE CONSUMER. WESCO SHALL NOT BE LIABLE FOR ANY INCIDENTAL OR CONSEQUENTIAL DAMAGES FOR BREACH OF ANY EXPRESS OR IMPLIED WARRANTY ON THIS PRODUCT. EXCEPT TO THE EXTENT PROHIBITED BY APPLICABLE LAW, ANY IMPLIED WARRANTY OF MERCHANTABILITY OR FITNESS FOR A PARTICULAR PURPOSE ON THIS PRODUCT IS LIMITED IN DURATION TO THE DURATION OF THIS WARRANTY.

Some states do not allow the exclusion or limitation of incidental or consequential damages, or allow limitations on how long an implied warranty lasts, so the above limitations or exclusion may not apply to you. This warranty gives you specific legal rights, and you may also have the other rights which vary from state to state.

### Installation

Remove existing 3/8-16x2½" bolt and chain from base unit. Mount adapter insert (054036) to 55-gallon saddle strap using the fastening strips (052837). Note: the three clamp plates (052837) are to be used with 55-gallon saddles which have dual straps. The four tabs of the adapter should rest on top of the saddle strap. Assemble door to insert, using 3/8-16x6" bolt (108895) and replacing chain (also Figure 2).



See instructions for the base unit that the DGM-30A adapter has been installed on for proper use.

### For Factory Service:

- (1) For units in need of service due to normal wear, repairs can be made at the factory.
- NOTE: Do not send units to the factory for service without obtaining a "returned goods authorization number" from the service department. We will not be responsible for goods returned without proper authorization.