

# WESCO

## FBA Adapter

### INSTRUCTION SHEET

Attention: To insure safe and proper use of your Wesco FBA Adapter, read these instructions before use.

#### Specifications

The FBA Adapter (Figure 1) is designed for use with the following drum handling products:

- DL-55 with or without DMG-30A
- DGL-55 with or without DMG-30A
- ML-55 with or without DMG-30A
- DGF-55 with or without DGF-30A

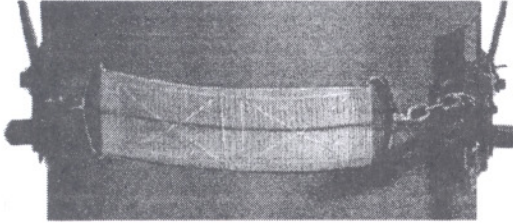


Figure 1

The FBA Adapter enables the above units to lift fiber drums by reducing the potential for damage to the drums from the original chain provided with those units. Steel drums may also be picked up with this adapter installed. They are NOT recommended for use with Poly drums.

This product is manufactured by:  
**Wesco Industrial Products, Inc.**

P.O. Box 47  
Lansdale, PA 19446  
Tel: 215-699-7031 FAX: 800-346-5511

Contact the factory if you have any problems after reading these instructions, or for parts information and parts ordering.

#### Unpacking

When unpacking your unit, check carefully for shipping damage. If damage has occurred, file a claim with the delivering carrier within 24 hours and notify the dealer from whom the unit was purchased.

#### Installation

Remove existing chain from base unit and save hardware, bolt(101106), 2 washers (100217) and nut(100642), for reuse.

Attach FBA Adapter (050528) to unit using end with shorter chain and existing hardware, see Figure 2.

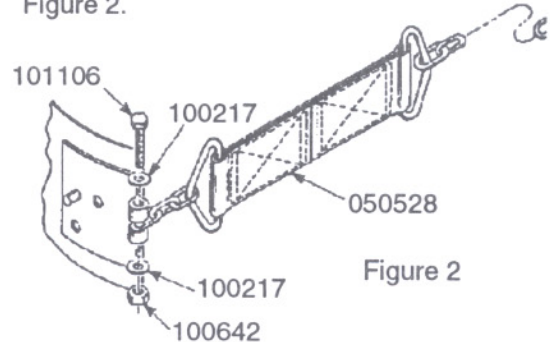


Figure 2

See instructions for the base unit that the FBA adapter has been installed on for proper use.

#### For Factory Service:

- (1) For units in need of service due to normal wear, repairs can be made at the factory.

**NOTE:** Do not send units to the factory for service without obtaining a "returned goods authorization number" from the service department. We will not be responsible for goods returned without proper authorization.

#### To Purchase Parts:

- (1) To order parts contact the factory by phone or fax.
- (2) **NOTE:** To insure proper handling of your order, it is important to provide the following information along with required part numbers.
  - (a) Model of unit.

#### LIMITED WARRANTY

Wesco Industrial Products, Inc. (WESCO) warrants to the purchaser of this product for a period of ninety (90) days from the date of purchase that this product shall be free of defects in material and/or workmanship, as follows:

1. WESCO will supply, at no charge, new or rebuilt replacements for any part that fails through a defect in material and/or workmanship during the warranty period. To obtain warranty service, you must deliver the product prepaid, to the WESCO factory.

2. This warranty does not cover any product or product part which has been subject to accident, misuse, abuse or negligence. WESCO shall only be liable under this warranty if the product is used the manner intended by the manufacturer as specified in the written instructions furnished with this product.

REPAIR OR REPLACEMENT AS PROVIDED UNDER THIS WARRANTY IS THE EXCLUSIVE REMEDY OF THE PURCHASER. ANY EXPRESS WARRANTY NOT PROVIDED IN THIS WARRANTY DOCUMENT, AND ANY REMEDY FOR BREACH OF CONTRACT THAT, BUT FOR THIS PROVISION, MIGHT ARISE BY IMPLICATION OR OPERATION OF LAW, IS HEREBY EXCLUDED AND DISCLAIMED. UNDER NO CIRCUMSTANCES SHALL WESCO BE LIABLE TO PURCHASER OR ANY OTHER PERSON FOR ANY INCIDENTAL OR CONSEQUENTIAL DAMAGES, WHETHER ARISING OUT OF BREACH OF WARRANTY, EXPRESS OR IMPLIED, A BREACH OF CONTRACT OR OTHERWISE. EXCEPT TO THE EXTENT PROHIBITED BY APPLICABLE LAW, ANY IMPLIED WARRANTY OF MERCHANTABILITY AND FITNESS FOR ANY PARTICULAR PURPOSE ARE EXPRESSLY LIMITED IN DURATION TO THE DURATION OF THIS LIMITED WARRANTY.

Some states do not allow the exclusion or limitation of incidental or consequential damages, or allow limitations on how long any implied warranty lasts, so the above limitations may not apply to you. This warranty gives you specific legal rights, and you may also have other rights which vary from state to state.