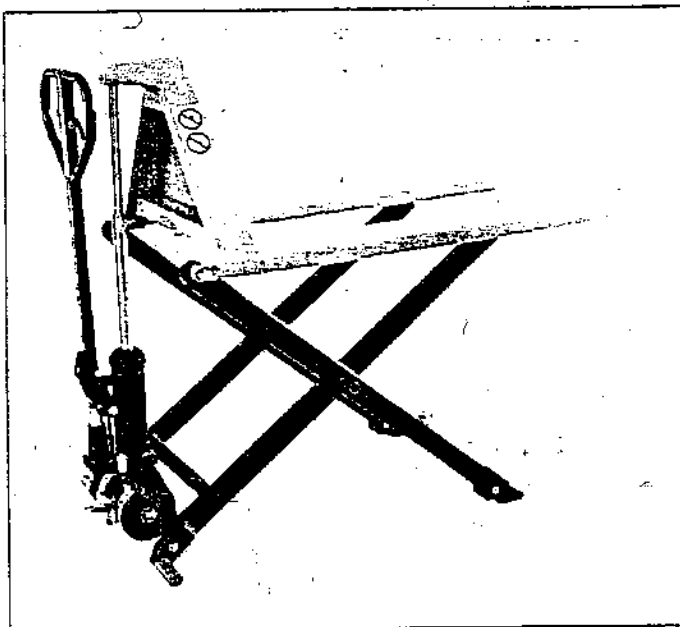


NEW

Model: HLT1  
HLT1.5

Owner's  
**manual**



## High Lift Pallet Truck

Hand Operated

**Caution:**

Before use,  
always read  
Instructions  
and Procedures  
carefully for safe  
operation

Operation Maintenance

# Specifications

Model	HLT1000		HLT1500	
Rated lifting capacity	1000 kgs		1500 kgs	
Max. Fork height	800 mm		800 mm	
Min. Fork height	85 ± 2 mm		85 ± 2 mm	
Fork length	1140 mm		1100 mm	
Fork width (outside)	520 mm	680 mm	520 mm	680 mm
Fork width (inside)	196 mm	356 mm	196 mm	356 mm
Lifting speed	9 mm/stroke			
Descending speed	< 0.1 mm/second			
N.W.	110 kgs	120 kgs	130 kgs	140 kgs

## Safety Instructions

1. The truck shall be used in accordance with instructions handbook.
2. Don't put the hand & foot under the fork at any time.
3. Don't work on the slope surface.
4. Quick lifting is prohibited for loads of more than 300 kgs. Any manipulation of the pressure relief valve is strictly prohibited. All assembling, adjusting and maintenance shall only be done by industrial mechanics trained people. These people must be familiar with all safety regulations of European and national where the item is in use relating to the operation and maintenance of pedestrian controlled industrial trucks.
5. Load should be put on the fork center. Side-load is strictly prohibited.
6. The truck shall not be used to transport persons.
7. It is recommended to the driver to wear security shoes.
8. No modifications shall be carried out which adversely affect the compliance of the truck with prEN 1757-4.

## Installation & Adjustment

### 1. Screw(part No.158)

- To prevent oil-leaking from oil tank during transportation, Air Screw (part No.158) is replaced with Oil-sealing Screw in the factory. But it has to be replaced back when you put this truck in use.
- How to change: Screw out Oil-sealing Screw, then screw in Air Screw which is in the spare parts bag, thus keep oil tank always connecting with atmosphere.

### 2. Handle

During transportation, the handle is disassembled from the truck and packed separately. It has to be assembled back and adjusted properly and carefully before use.

#### A. Handle installation:

- Take 3 pieces of M10 Nut (No.186) & Hex Wrench from spare parts bag. Select handle to match the truck with the same fitting numbers.
- Assemble the handle on the Handle Base (No.181) with 3 pieces of M10 Nut & Spring Washer tightly.
- Put the chain's Eye Bolt (No.110) in the slot at the front end of Pendulum Arm (No.112).

## B. Handle adjustment

- There are 3 different positions with different functions for the Release Lever (part No.106).

See picture 1

Position I: Quick lifting for fork.

Position II: Slow lifting for fork.

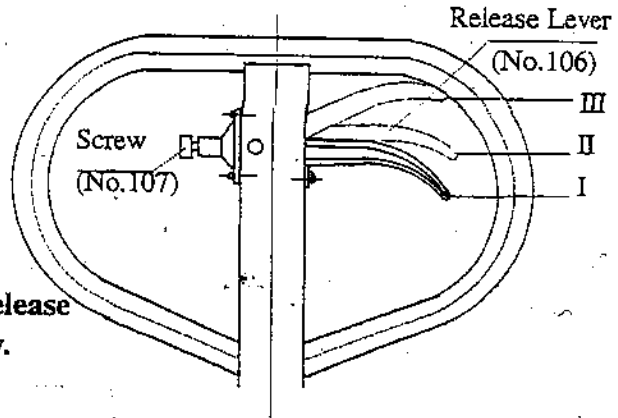
Position III: Descending for fork.

- Test different functions by putting the Release Lever in 3 different positions respectively.

If it does not function properly, then adjusting

Lock Nut (No.113) or Pendulum Arm (No.151) by following

process. See picture 2



picture 1

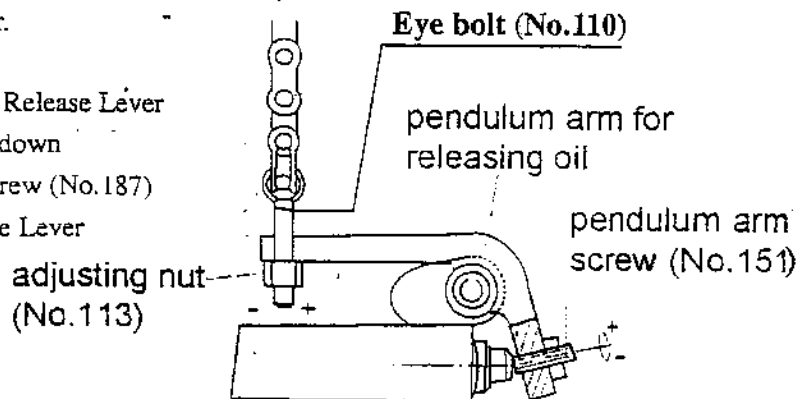
Problems	Turning direction of Lock Nut	Turning direction of Pendulum Arm Screw
Fork not lifted up	- (counter-clockwise)	- (counter clockwise)
Fork not lowering down	+ (clockwise)	+ (clockwise)
Slow lifting no function	+ (clockwise)	+ (clockwise)
Quick lifting no function	- (counter-clockwise)	- (counter-clockwise)

- Function of Adjusting Screw (No.187) for Release Lever (see picture 1)

To fix release lever (No.106) into its 3 positions properly by adjusting the screw, you can adjust the operating force of the release lever.

To prevent accidental touch of the Release Lever which could cause sudden sliding down of the fork. You can tighten the Screw (No.187) in the position I or II of the Release Lever (No.106).

See picture 1

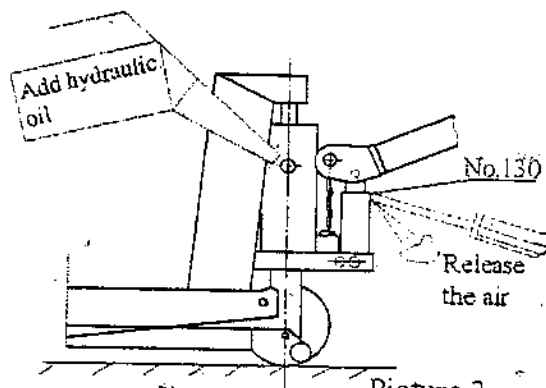


picture 2

● **How to release the air from the pump.**

See picture 3

When pushing the handle down, the fork can't be lifted instantly. Please loosen the Screw (No.130) on the pump while pushing the handle down slowly to release the air from the pump. Then tighten the screw.



Picture 3

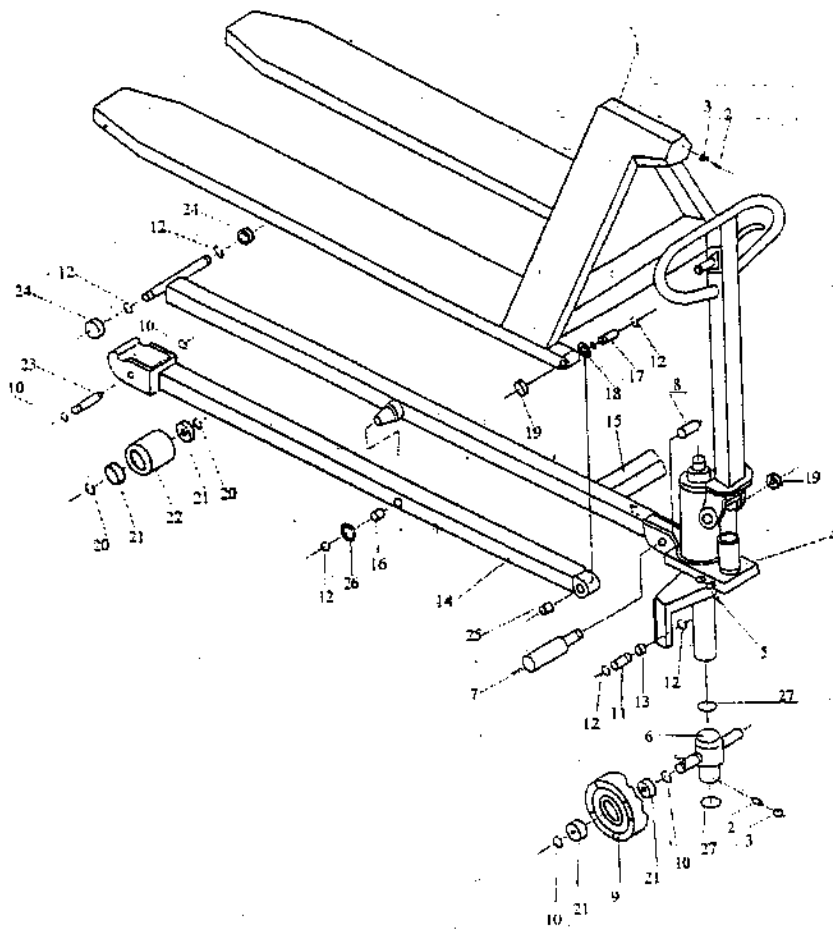
● **When to add oil**

See Picture 3

If the fork can't be pumped up to its rated highest position, you may have to add hydraulic oil into the oil tank. The hydraulic fluid to be used must have a quality of ISO VG22 or equivalence. Mixing of different fluids is prohibited!

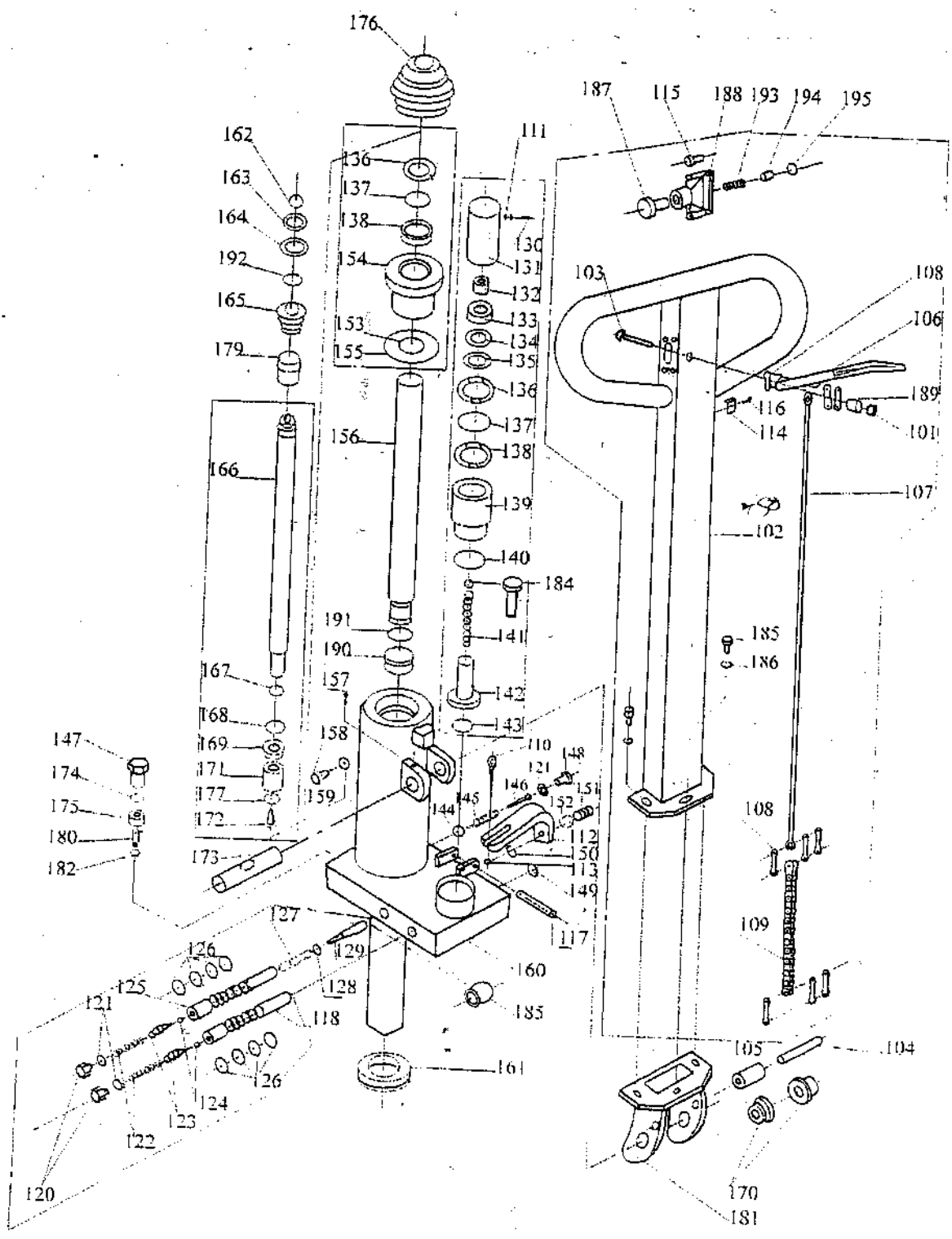
**TROUBLE SHOOTING GUIDE**

Items	Symptom	Possible cause	Aliments
1	Fork can not be pumped up	<ol style="list-style-type: none"> <li>1. Low oil level in oil tank.</li> <li>2. Exist air in the hydraulic system.</li> <li>3. Pendulum arm nut is not adjusted properly.</li> </ol>	<ol style="list-style-type: none"> <li>1. Add proper hydraulic oil.</li> <li>2. Fast operating the handle for several times. Bleed the system.</li> <li>3. Adjust pendulum arm screw.(see picture 2)</li> </ol>
2.	Fork can't be released down	<ol style="list-style-type: none"> <li>1. Fork blocked.</li> <li>2. Pendulum arm nut not adjusted properly.</li> </ol>	<ol style="list-style-type: none"> <li>1. Check and remove the block.</li> <li>2. Adjust pendulum arm nut properly. (see picture 2)</li> </ol>
3	Fork can't be pumped up to rated highest position.	Oil is not enough.	Add hydraulic oil. (see picture 3)
4	Fork lifting speed has no difference between position I and position II of release lever.	Pendulum arm nut is not adjusted properly.	Adjust pendulum arm nut. (see picture 2)



Parts List

No.	Description	Qt'y	No.	Description	Qt'y
1	Fork	1	15	Leg	1
2	Screw	2	16	Bush	2
3	Nut	2	17	Pin	2
4	Power unit	1	18	Washer	2
5	Hold yoke	1	19	Nut & spring washer	4
6	Wheel yoke	1	20	Washer	8
7	Centrifugal axle	2	21	Ball bearing	8
8	Spacer	2	22	Front wheel	2
9	Steering wheel	2	23	Wheel axle	2
10	Snap ring	6	24	Roller	4
11	Pin	2	25	Bush	2
12	Snap ring	12	26	Washer	2
13	Bush	2	27	O-ring	2
14	Leg	2			



## Parts list

Part No.	DESCRIPTION	QTY	Part No.	DESCRIPTION	QTY
101	Locknut	1	151	Pendulum arm screw	1
102	Handle	1	152	Lock nut	1
103	Screw	1	153	O-ring	1
104	Pin	1	154	Cylinder head	1
105	Roller	1	155	O-ring	1
106	Release Lever	1	156	Lifting ram	1
107	Release rod	1	157	Screw	2
108	Chain connector	3	158*	Air screw	1
109	Chain	1	159	Cylinder	1
110	Eye bolt	1	160	Pump housing	1
111*	Washer	1	161	Thrust bearing	1
112	Pendulum arm	1	162	Ball	1
113	Pendulum arm nut	1	163	Snap ring	1
114	Positioner	1	164	Washer	1
115	Screw	5	165	Bush	1
116	Washer	2	166	Piston rod	1
117	Pin	1	167	O-ring	1
118	Valve insert	1	168	O-ring	1
119	Seat	1	169	Y-ring	1
120	Screw	2	170	Bush	2
121	Gasket	2	171	Piston	1
122	Spring	2	172	Screw	1
123	Release valve	2	173	Axle	1
124	Ball	2	174	Gasket	1
125	Valve insert	1	175	Lock screw	1
126	O-ring	8	176	Rubber sleeve	1
127	Spring	1	177	Washer	1
128*	O-ring	1	178	Washer	5
129	Release indicator	1	179	Bush	1
130*	Screw	1	180	Adjusting screw	1
131	Pump piston	1	181	Handle base	1
132	Guide ring	1	182	Adjusting washer	1
133	Y-ring	1	183	Hex screw	3
134	Washer	1	184	Spring guide	1
135	Snap ring	1	185	Rubber sleeve	1
136	Scraper ring	2	186	Spring washer	3
137	O-ring	3	187	lock screw for release lever	1
138	Y-ring	2	188	Spring socket	1
139	Pump cylinder	1	189	Spacer	2
140	O-ring	1	190	Copper piston	1
141	Spring	1	191	Snap ring	1
142	Hi-pressure piston	1	192	Snap ring	1
143	O-ring	1	193	Spring	1
144	Ball	1	194	Pin	1
145	Spring	1	195	Ball	1
146	Adjusting screw	1			
147	Sealing screw	1			
148	Screw	1			
149	Snap ring	2			
150	O-ring	2			

**Remark:**

Parts with "\*" mark are supplied together with the High Lifter and packed in the poly bags.