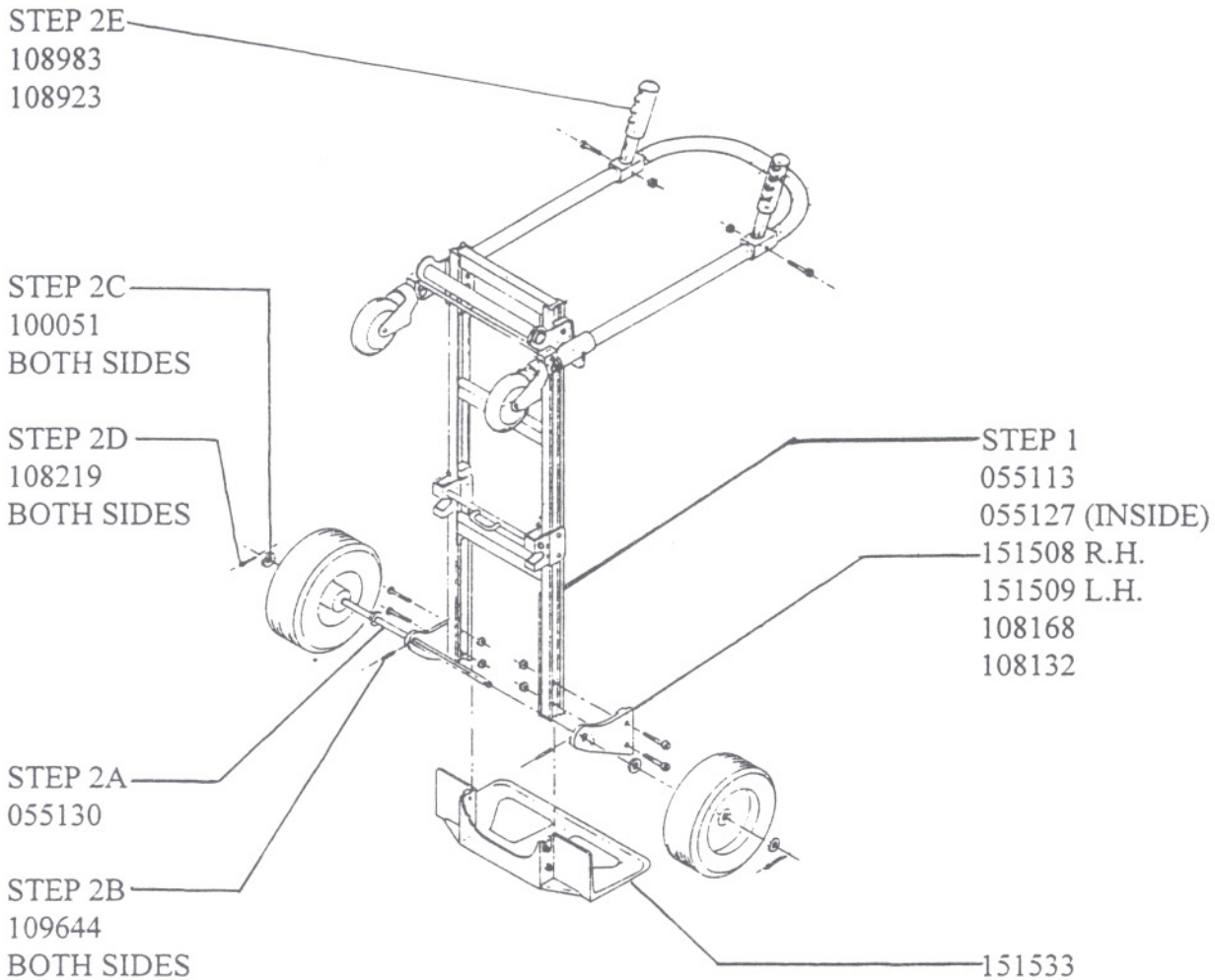


WESCO

Industrial Products, Inc.

COBRA JR. - ALUMINUM 2 IN 1 TRUCK ASSEMBLY INSTRUCTIONS



Assemble the truck with the top handle facing you.

Step 1 - Assemble with 5/16 bolts (108168) noseplate (151533) right axle support (151508), left axle support (151509), and inside reinforcements (055127) to frame (055113) as shown. Be sure to insert reinforcements between noseplate and frame before inserting bolts. Assemble (108132) nylock nuts and tighten.

Step 2 - A - Insert axle (055130) through axle supports, using holes furthest from the truck.

B - Insert spring pins (109644) through axle in slot of axle support to prevent rotation.

C - Slide washers (100051) on each of axle (055130), then wheels, and washers (100051) again.

D - Insert cotter pin (108219) through holes at each end of axle and bend one leg.

E - Rotate both handles so they are facing you. Align holes and assemble with (108933) bolts and nuts (108929).