

WESCO

Gantry crane-Adjustable and Fixed Models Operating Instructions and Parts List

Attention: To insure proper use of your Wesco Gantry Cranes, read and follow these instructions before using.

Specifications

The Wesco Gantry Crane is a supporting device on which a hoist can be mounted, making the unit capable of safely lifting and moving heavy objects over and around machinery as well as other obstacles.

This product is manufactured by:
WESCO Manufacturing Co.
P.O. Box 47
Lansdale, PA 19446
Tel: 215-699-7031 FAX: 215-699-3836

For a full range of Wesco products, request a catalog, or visit our web site at <http://www.WESCOMFG.com>

Contact the factory if you have problems after reading these instructions, or for parts information and parts ordering.

Unpacking

When unpacking your Gantry Crane, check carefully for shipping damage and missing parts. If damage has occurred or any parts are missing, file a claim with the delivering carrier within 24 hours and notify the dealer from whom the set was purchased.

For Warranty Repairs

- (1) If unit does not work properly, contact your dealer or the factory (215-699-7031) for units less than ninety days old.

For Non-Warranty Service:

For units older than ninety days, repairs can be made easily on site with factory supplied parts.

NOTE: Do not send units to the factory for service without obtaining a "returned goods authorization number" from the service department. We will not be responsible for goods returned without proper authorization.

To Purchase Parts:

A complete parts list with drawings appears below. To order parts, contact the factory at the phone or fax numbers shown on page 4 of this manual. Ask for the Customer Service Department.

Capacity

Refer to Master Catalog for various rated capacities of Adjustable and Fixed height Gantry Cranes.

General Safety Information

Warning: The Wesco Gantry Crane is intended for specific functions. Please adhere to the following instructions to insure proper use.

- (1) **DO NOT** lift loads exceeding the crane's rated capacity (include the weight of the hoist and trolley when determining the total load).
- (2) **DO NOT** install a hoist whose capacity is greater than the Gantry Crane.
- (3) **DO NOT** move the crane or position it stationary with the A-frame wheels on different surface levels.
- (4) **DO NOT** move the crane up or down a ramp or incline because it cannot be braked.
- (5) **DO NOT** change the height of an Adjustable Gantry Crane when a load is in place.
- (6) Never cantilever a load off one (1) end of the crane.
- (7) When operating an Adjustable Gantry Crane, be certain that the two (2) locking pins are pushed in as far as the handle will go before it is used.
- (8) Position the Gantry Crane so that the load is in the center of the I-Beam.
- (9) Before raising or lowering a load, lock all caster wheels in a perpendicular position to one another (see warning label).
- (10) When traveling in a straight line, lock the four (4) swivel casters in the direction of movement.
- (11) When moving the Gantry Crane with a load, be aware that the load may traverse the I-Beam.
- (12) **DO NOT** allow the load to swing when the Gantry Crane is moved.
- (13) Two (2) people shall be used to move the Gantry Crane in a smooth and even direction.
- (14) **DO NOT** modify this unit in any way.
- (15) Never move the load until it is securely held in a safe manner.
- (16) Never move a load over people.
- (17) Never stand under a load.
- (18) **DO NOT** pull loads. The Gantry Crane is designed for vertical lifting only, and pulling in any direction is dangerous.
- (19) Inspect the unit before each use. Remove from service immediately if damaged or malfunctioning until such times as repairs have been made.
- (20) **DO NOT** remove or obscure warning labels and capacity information.
- (21) Use only WESCO replacement parts when servicing.
- (22) **DANGER:**



**THIS UNIT CONDUCTS ELECTRICITY!
DO NOT ALLOW IT TO CONTACT POWER
LINES, WIRES, OR OTHER ELECTRICAL
EQUIPMENT.**

I. **ASSEMBLY INSTRUCTIONS**

**Adjustable
Gantry Crane Assembly**

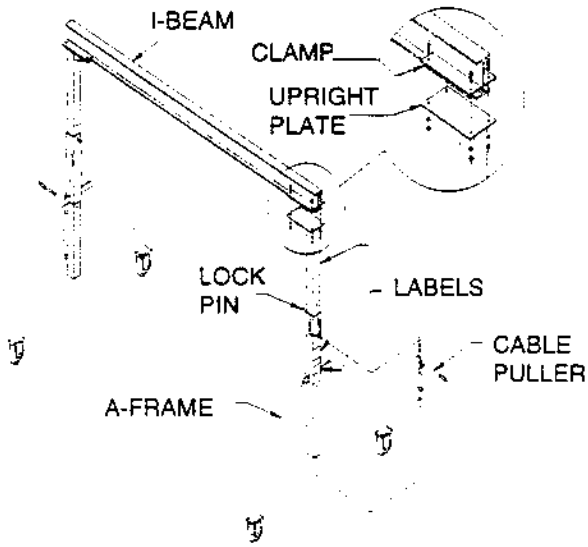


Figure 1

Follow Assembly Instructions
(1) Through (15)

**Fixed
Gantry Crane Assembly**

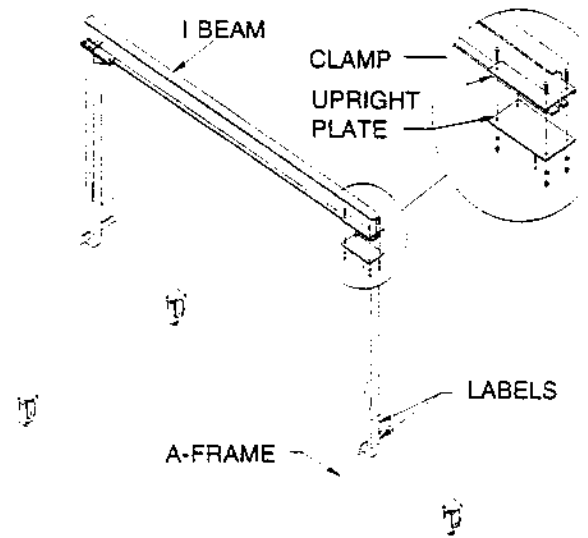


Figure 2

Follow Assembly Instructions
(7) Through (15)

WARNING! USE EXTREME CARE WHEN ASSEMBLING, ADJUSTING (FIGURE 1) AND USING THE GANTRY CRANE.

1. Lay the "V" end of one (1) A-Frame on a small wooden block with the warning labels facing down.
2. Remove two (2) clamping bars from the upright plate of (1) upright (see figure 1).
3. Insert the upright through the A-Frame with the upright plate down (on the opposite side of the A-Frame Labels).
4. Align the holes in the upright to those in the A-Frame to set the desired height.
5. Insert the chained locking pin through the A-Frame on the side of the labels; be sure that the handle is pushed in as far as it will go.
6. Repeat steps 1 through 5 to assemble the second A-Frame and upright.
7. Assemble the hoist (not provided) to the I-Beam as per the manufacturer's instructions and position it in the center of the I-Beam.
WARNING! DO NOT INSTALL A HOIST WHOSE CAPACITY IS GREATER THAN THE GANTRY CRANE.
8. Carefully lift the I-Beam with hoist to the proper height by fork truck (chain the I-Beam to the forks) or suspended from an overhead crane.
9. Carefully raise one (1) A-Frame to a vertical position and position the upright plate to the end of the I-Beam per figure 1 & 2. (NOTE: THE WARNING LABELS SHOULD BE ON THE OUTSIDE OF THE A-FRAME); One (1) person should hold the assembly steady.
10. Adjust the height of the I-Beam to suit the vertical A-Frame upright (figure 1) or vertical A-Frame (figure 2) assembly height.

11. Using a stepladder or lift platform, a second person shall place two (2) clamping bars on the flanges of the I-Beam, aligning the four (4) holes in the clamps, I-Beam and upright plate per figure 1 or 2.
12. Hand tighten the four (4) bolts, lockwashers and nuts, then wrench tighten the hardware to 80-90 ft./lbs.
13. Repeat steps (9) thorough (12) to complete the assembly of the opposite end of the I-Beam to the second upright.
14. Set the position of the casters to prevent movement of the gantry.
15. Release the I-Beam from the fork truck or overhead crane.

II. HEIGHT ADJUSTMENT (Adjustable Gantry Crane)

WARNING! DO NOT MAKE ADJUSTMENTS WITH LOAD IN PLACE.

A. LEVER (Cable Puller)

1. Steps (2) through (10) shall be performed simultaneously on the two (2) A-Frame/upright assemblies (i.e. (2) persons required)
2. Place the cable puller support hook through the hole of the clevis, making certain that the safety catch is engaged.
3. Position the cable puller base against the A-Frame so that the handle protrudes out and downward (see figure 1).
4. To lower or release tension on the hook:
 - 4a. Pull the yellow plastic covered spring (in the handle) outward toward the operator as far as it will go (spring hook slides in a curved slot).
 - 4b. Lift handle to it's maximum height so that the drive pawl on the handle presses against a spring-loaded stop pawl; this action lowers the hook one (1) notch.
 - 4c. The cable can be removed from the pulley by hand by pulling the stop pawl lever (at the top of the cable puller) toward the operator with the right forefinger while pulling the cable with the left hand. **CAUTION:** The yellow, plastic covered spring must be positioned closest to the operator.
5. Engage the lower cable puller hook into the bottom of the upright (see figure 1).
6. To raise the hook:
 - 6a. Push the yellow, plastic covered spring inward as far as it will go (spring hook slides in a slot).
 - 6b. Raise/Ratchet the handle to slightly lift the upright.
7. Remove the locking pin.
8. Carefully raise the upright to the desired height and align the desired holes in the A-Frame and upright. Be aware that the hoist may move and imbalance the I-Beam.
9. Replace the locking pin, making certain that the handle is pushed in as far as it will go.
10. Release the cable puller per step 4. The puller can remain attached to the A-Frame since it will not interfere with the load to be lifted.

B. MANUALLY

1. Steps (2) through (6) shall be performed simultaneously on the two (2) A-Frame/Upright assemblies (i.e. (2) persons required).
2. Slightly raise the I-Beam in the center by fork truck (chain the I-Beam to the forks) or overhead crane to release the weight of the upright from the two (2) locking pins. Be aware that the hoist may move and imbalance the I-Beam.
3. Remove the two (2) locking pins.
4. Carefully raise or lower the I-Beam with a fork truck or hoist to the desired height and align the holes in the A-Frame and upright.
5. Insert the locking pins, making sure that the handle is pushed in as far as it goes.
6. Remove the I-Beam from the fork truck or overhead crane.

Replacement Parts List

| PART NO. | DESCRIPTION |
|----------|---------------------------------------------------|
| 190200 | Cable Puller (Adjustable Gantry Cranes) |
| 190201 | Swivel Caster w/lock (One ton Gantry Cranes) |
| 190202 | Swivel Caster w/lock (Two ton Gantry Cranes) |
| 190203 | Swivel Caster w/lock (Three ton Gantry Cranes) |

LIMITED WARRANTY

WESCO MANUFACTURING COMPANY (WESCO) warrants to the purchaser of this product for a period of ninety (90) days from the date of purchase that this product shall be free of defects in material and/or workmanship, as follows:

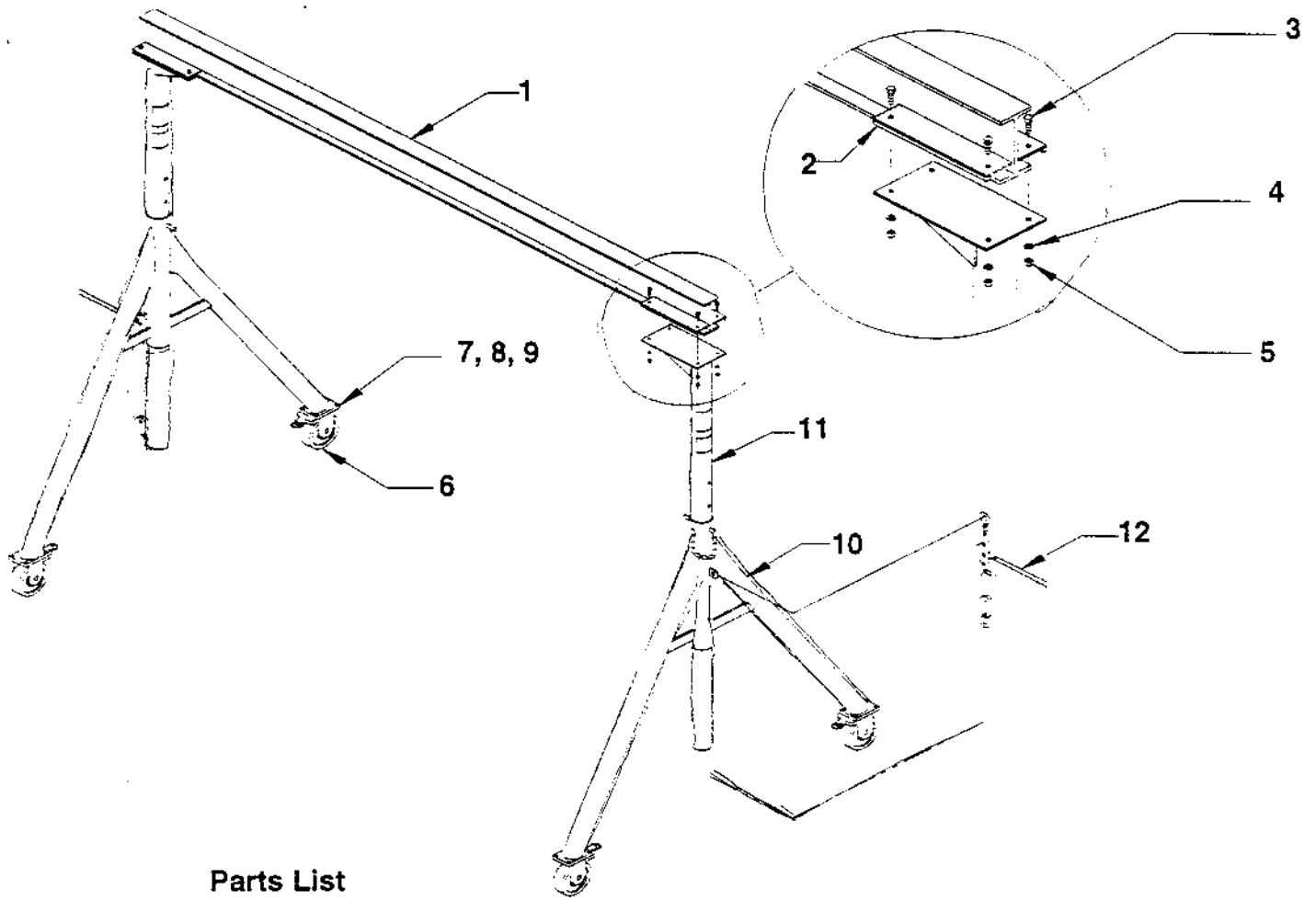
1. WESCO will supply, at no charge, new or rebuilt replacements for any part that fails through a defect in material and/or workmanship during the warranty period. To obtain warranty service, you must deliver the product prepaid, to the WESCO factory.

2. This warranty does not cover any product or product part which has been subject to accident, misuse, abuse or negligence. WESCO shall only be liable under this warranty if the product is used the the manner intended by the manufacturer as specified in the written instructions furnished with this product.

REPAIR OR REPLACEMENT AS PROVIDED UNDER THIS WARRANTY IS THE EXCLUSIVE REMEDY OF THE PURCHASER. ANY EXPRESS WARRANTY NOT PROVIDED IN THIS WARRANTY DOCUMENT, AND ANY REMEDY FOR BREACH OF CONTRACT THAT, BUT FOR THIS PROVISION, MIGHT ARISE BY IMPLICATION OR OPERATION OF LAW, IS HEREBY EXCLUDED AND DISCLAIMED. UNDER NO CIRCUMSTANCES SHALL WESCO BE LIABLE TO PURCHASER OR ANY OTHER PERSON FOR ANY INCIDENTAL OR CONSEQUENTIAL DAMAGES, WHETHER ARISING OUT OF BREACH OF WARRANTY, EXPRESS OR IMPLIED, A BREACH OF CONTRACT OR OTHERWISE, EXCEPT TO THE EXTENT PROHIBITED BY APPLICABLE LAW. ANY IMPLIED WARRANTY OF MERCHANTABILITY AND FITNESS FOR ANY PARTICULAR PURPOSE ARE EXPRESSLY LIMITED IN DURATION TO THE DURATION OF THIS LIMITED WARRANTY.

Some states do not allow the exclusion or limitation of incidental or consequential damages, or allow limitations on how long any implied warranty lasts, so the above limitations may not apply to you. This warranty gives you specific legal rights, and you may also have other rights which vary from state to state.

GANTRY CRANES (LEVER ADJUSTMENT)



Parts List

| Item | Part No. | Description | Qty | | |
|------|----------|-------------------------------------------------------|-------------------|----------------|---|
| 1 | 091010 | I-Beam 1 Ton Model | 1 | | |
| | 091011 | I-Beam 2 Ton Model | 1 | | |
| | 091012 | I-Beam 3 Ton Model | 1 | | |
| 2 | 091006 | I-Beam Clamp | 4 | | |
| | 3 | 100366 | HH Bolt | 8 | |
| | | 4 | 108228 | Lockwasher 1/2 | 8 |
| | | | 108159 | Hex Nut | 8 |
| 6 | 190201 | Caster Swivel w/Lock 1 Ton Model | 4 | | |
| | 190202 | Caster Swivel w/Lock 2 Ton Model | 4 | | |
| | 190203 | Caster Swivel w/Lock 3 Ton Model | 4 | | |
| 7 | 108886 | Caster Bolt | 16 | | |
| | 8 | 100217 | Caster Lockwasher | 16 | |
| | | 100642 | Caster Hex Nut | 16 | |
| 10 | 091004 | A-Frame 1 & 2 Ton Models | 2 | | |
| | 091001 | A-Frame 3 Ton Model | 2 | | |
| 11 | 091002 | Upright 1, 2 & 3 Ton Models | 2 | | |
| | 091003 | Upright 1, 2 & 3 Ton Models | 2 | | |
| | 091005 | Upright 1 & 2 Ton Models | 2 | | |
| | 190200 | Cable Puller 1, 2 & 3 Ton Models (Lever Adj. Only) | 2 | | |

| Global No. | Model | Mfgr. No. | Beam Size |
|------------|----------|-----------|-------------|
| 502082 | 12'3 Ton | 360005 | 10" x 4 5/8 |
| 502084 | 15'3 Ton | 360006 | 10" x 4 5/8 |
| 502082A | 12'3 Ton | 360019 | 10" x 4 5/8 |
| 502084A | 15'3 Ton | 360020 | 10" x 4 5/8 |
| 502064 | 12'3 Ton | 360013 | 10" x 4 5/8 |
| 502066 | 15'3 Ton | 360014 | 10" x 4 5/8 |
| 502064A | 12'3 Ton | 360027 | 10" x 4 5/8 |
| 502066A | 15'3 Ton | 360028 | 10" x 4 5/8 |