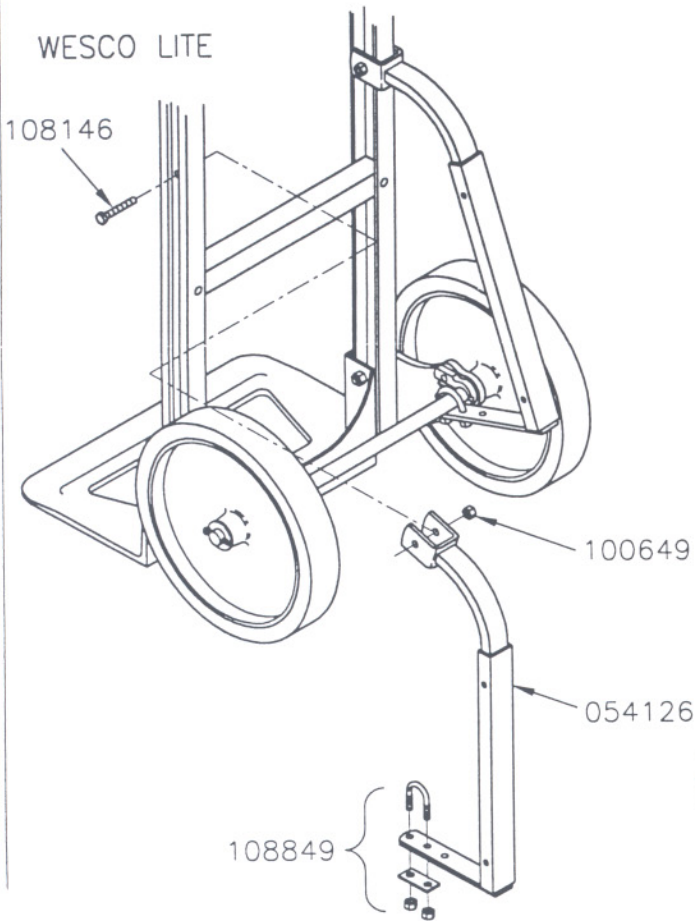


WESCO LITE / CAST NOSEPLATE
 STAIR GLIDE AND FOLDING NOSE
 COBRA / CAST NOSEPLATE
 FOLDING NOSE
 INSTALLATION INSTRUCTIONS

WESCO LITE



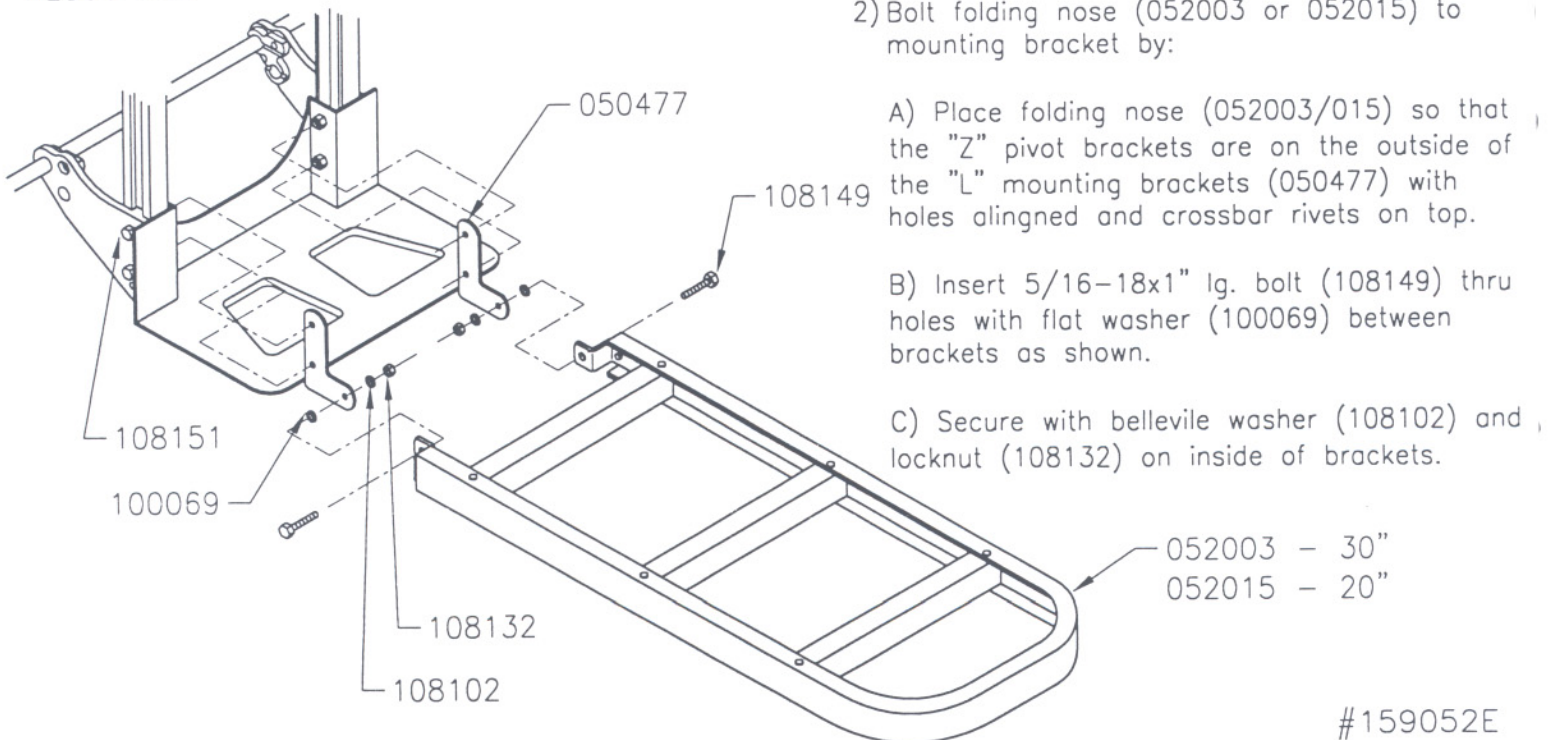
To Install Wesco Lite Stair Glide:
 (Kit 220340)

- 1) Loosely attach "U" bolt (108849) to axle through holes of stair glide (054126).
 Note: first hole (from edge) and center hole for 10" wheel; center hole and third hole for 8" wheel.
- 2) Swing stair glide up and align holes in U-clip with hole in side frame.
 Note: due to a design change, it may be necessary to drill a 5/16" dia. hole in the side frame to allow installation of the stair glide. For drilling location, swing stair glide up and, using the U-clip holes as guides, drill thru side frame.
- 3) Place bolt (108146) through U-clip from outside. Slide bolt through frame and other side of U-clip. Place nut (100649) on end of bolt and tighten.
- 4) Tighten "U" bolt (108849).
- 5) Repeat process with opposite glide.

To Install Folding Nose:

(Kit 220343 - 30", 220346 - 20")

COBRA
 WESCO LITE



- 1) Remove (2) bolts from one side of frame/noseplate. Assemble (1) "L" mounting bracket (050477) with (2) 5/16-18x2-1/2" lg. hex bolts (108151) and existing nuts. Repeat for other side.
- 2) Bolt folding nose (052003 or 052015) to mounting bracket by:
 - A) Place folding nose (052003/015) so that the "Z" pivot brackets are on the outside of the "L" mounting brackets (050477) with holes aligned and crossbar rivets on top.
 - B) Insert 5/16-18x1" lg. bolt (108149) thru holes with flat washer (100069) between brackets as shown.
 - C) Secure with belleville washer (108102) and locknut (108132) on inside of brackets.

052003 - 30"
 052015 - 20"