

WESCO® Easy-Mount Strip Door Installation Instructions

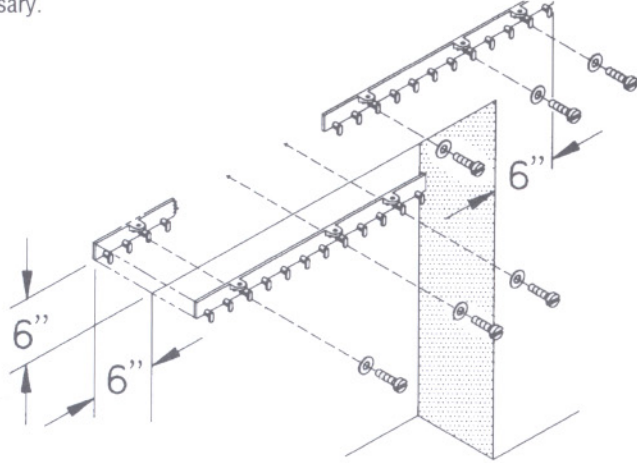
1. Install Easy-Mount Hook Strips

Note: Mounting hardware (except washers) has not been included. Suitable hardware should be selected depending on conditions at location of installation. **CAUTION: BE SURE THAT HOOK STRIPS ARE SECURELY FASTENED BEFORE YOU HANG UP VINYL STRIPS.**

For Wall Mount:

Mounted above door when clearance under jamb is not sufficient.

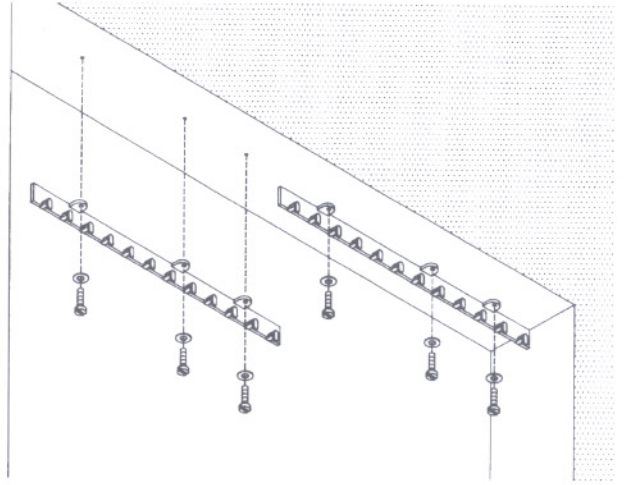
- Starting 6" to the *right and above* the opening, securely mount the WESCO Hook Strip to the wall or beam. Use selected hardware (including supplied washers) through every hole.
- Moving left, continue mounting Hook Strips to wall or beam making sure that each strip touches the one next to it. Do not leave any gaps between Strips so that 2" centerline between Hooks is maintained.
- Mount the last Strip so that it extends at least 6" beyond the left side of the opening. Excess strip can be cut off with a hacksaw if necessary.



For Lintel Mount:

Mounted inside door jamb.

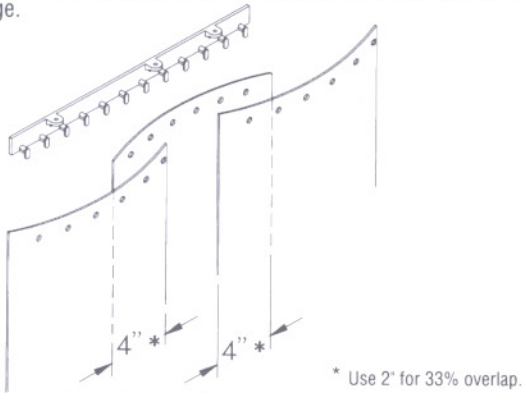
- Starting from the right side of the opening, securely mount the WESCO Hook Strip to the underside of the jamb using selected hardware (including supplied washers) through every hole.
- Moving left, continue mounting Hook Strips to wall or beam making sure that each Strip touches the one next to it. Do not leave any gaps between Strips so that 2" centerline between Hooks is maintained.
- If the last Hook Strip is too long to fit inside jamb, cut to length with a hacksaw before installing.



2. Select Overlap Pattern for Vinyl Strips

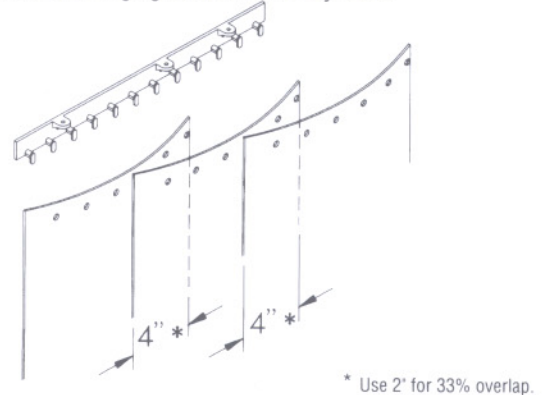
A. Standard Overlap

Most common hanging method. Provides best sealing and easiest passage.



B. ShipLap

Alternative hanging method for windy areas.



3. Hang Vinyl Strips

- Hang vinyl strips onto Hooks *based on the lap pattern selected above* by placing the punched holes over the lower tab of the hooks and stretching over the top flange. (Note that concave side of strip has a line embossed on the top edge).
- Hang one safety orange strip on each end (doors with 12" wide strips only).
- Once all of the strips are hung, trim bottom for minimum 1" clearance off of floor.

