

WESCO®

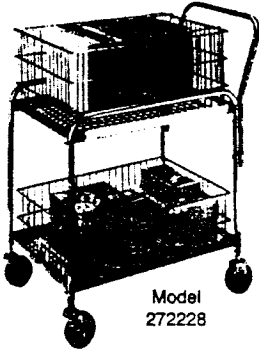
Wire Office Carts

Operating Instructions and Parts Manual

Attention: To insure proper use of your Wesco Wire Office Carts, read and follow these instructions before using.

Specifications

Wesco Wire Office Carts are designed for a wide variety of office and light warehouse and retail uses.



Model
272228

This product is sold by:
WESCO International, Inc.
P.O. Box 47

Lansdale, PA 19446

Tel: 215-699-7031 FAX: 800-346-5511

Contact the factory if you have problems after reading these instructions, or for parts information and parts ordering.

Unpacking

When unpacking your Wire Office Cart, check carefully for shipping damage or missing parts. If damage has occurred or any parts are missing, file a claim with the delivering carrier within 24 hours and notify the dealer from whom the unit was purchased.

General Safety Information

WARNING: The Wesco Wire Mail Carts are designed for specific functions. To insure proper use, the following instructions must be adhered to:

- (1) Capacities are as follows:
#272228 Small Cart: Up to 80 legal sized file folders.
#272230 Small Cart: Up to 80 legal sized file folders.
#272231 Large Cart: Up to 120 legal sized file folders.
- (2) Capacities are based on evenly distributed loads.
- (3) Never use to transport spillables in open containers.
- (4) Periodically inspect unit for damages and loose or missing hardware. If required, remove from service and repair.
- (5) Use only genuine Wesco replacement parts when servicing.

Maintenance

- 1) Lubricate moving parts periodically.
- 2) Check bolts and nuts frequently for tightness.

Large Cart Assembly (#272231)

- (1) Assemble cross tubes (#3) to side frames (#2) with 1-1/2" screws (#12) and nuts (#14). Note: Upper angles (#4/with holes and slots) and lower angles (#5/with four holes) should be assembled between frames and cross tubes.
- (2) Assemble handle (#1) to side frames (#2) with 2" screws (#11) and nuts (#14).
- (3) Assemble swivel casters (#9) to front legs of frames with 1-1/2" screws (#12) and nuts (#14). Note: Braces (#6) should be assembled between frames and nuts.
- (4) Insert axle adapters (#8) into back legs of frames. Slide axle (#7) through axle adapters. Assemble axle adapters to frames with 1-1/2" screws and nuts. Note: The flat braces should be assembled between frames and nuts. Mount wheels (#10) onto each side of axle. Assemble pushnuts (#15) onto each end of axle.
- (5) Assemble braces (#6) to lower angles (#5) with 3/8" screws (#13).
- (6) Mount lower basket into position, mount upper basket into position. Clip short guide rod onto center of sides of upper basket. Clip long guide rods onto ends of upper baskets.

Small Cart Assembly

- (A) To assemble frame (both units):
 - (1) Assemble cross tubes (#3) to side frames (#2) with 1-1/2" screws (#8) and nuts (#10). Note: Upper angles (#4/with holes and slots) and lower angles (#5/with four holes) should be assembled between frames and cross tubes.
 - (2) Assemble handle (#1) to side frames (#2) with 2" screws (#7) and nuts (#10).
- (B) To assemble #172231 caster set (for #272228):
 - (1) Assemble swivel casters (#16) to front legs of frames and rigid casters (#17) to back legs of frames with 1-1/2" screws (#8) and nuts (#10). Note: Braces (#6) should be assembled between frames and nuts.
 - (2) Assemble braces (#6) to lower angles (#5) with 3/8" screws (#9).
- (C) To Assemble #172230 Wheel/Caster Set (for #272230):
 - (1) Assemble swivel casters (#13) to front legs of frames with 1-1/2" screws (#8) and nuts (#10). Note: Braces (#6) should be assembled between frames and nuts.
 - (2) Insert axle adapters (#12) into back legs of frames. Slide axle (#11) through axle adapters. Assemble axle adapters to frames with 1-1/2" screws and nuts. Note: The flat braces should be assembled between frames and nuts. Mount wheels (#14) onto each side of axle. Assemble pushnuts (#15) onto each end of axle.
 - (3) Assemble braces (#6) to lower angles (#5) with 3/8" screws (#9).
- (D) Basket Assembly/Both Carts:
 - (1) Mount lower basket into position.
 - (2) Mount upper basket into position.
 - (3) Clip long guide rods onto end of upper baskets.

For Warranty Service

- (1) If unit does not work properly contact your dealer or the factory (for units less than ninety days old).

For Non-Warranty Service:

- (1) For units older than ninety days, repairs can easily be made with factory authorized parts.
NOTE: Do not send units to the factory for service without obtaining a "returned goods authorization number" from the service department. We will not be responsible for goods returned without proper authorization.

To Purchase Parts:

- (1) A complete parts list with drawings appears on the next page of this manual. To order parts, contact Wesco at the phone or fax numbers shown above. Ask for the Customer Service Department.

LIMITED WARRANTY

WESCO INTERNATIONAL, INC. (WESCO) warrants to the purchaser of this product for a period of ninety (90) days from the date of purchase that this product shall be free of defects in material and/or workmanship, as follows:

1. WESCO will supply, at no charge, new or rebuilt replacements for any part that fails through a defect in material and/or workmanship during the warranty period. To obtain warranty service, you must deliver the product prepaid, to the WESCO factory.

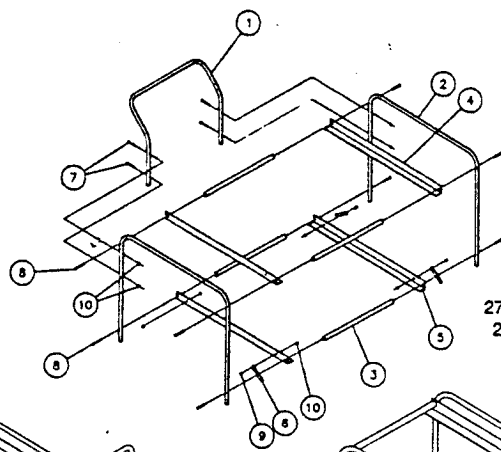
2. This warranty does not cover any product or product part which has been subject to accident, misuse, abuse or negligence. WESCO shall only be liable under this warranty if the product is used in the manner intended by the manufacturer as specified in the written instructions furnished with the product.

REPAIR OR REPLACEMENT AS PROVIDED UNDER THIS WARRANTY IS THE EXCLUSIVE REMEDY OF THE PURCHASER. ANY EXPRESS WARRANTY NOT PROVIDED IN THIS WARRANTY DOCUMENT, AND ANY REMEDY FOR BREACH OF CONTRACT THAT, BUT FOR THIS PROVISION, MIGHT ARISE BY IMPLICATION OR OPERATION OF LAW, IS HEREBY EXCLUDED AND DISCLAIMED. UNDER NO CIRCUMSTANCES SHALL WESCO BE LIABLE TO PURCHASER OR ANY OTHER PERSON FOR ANY INCIDENTAL OR CONSEQUENTIAL DAMAGES, WHETHER ARISING OUT OF BREACH OF WARRANTY, EXPRESS OR IMPLIED, A BREACH OF CONTRACT OR OTHERWISE, EXCEPT TO THE EXTENT PROHIBITED BY APPLICABLE LAW, ANY IMPLIED WARRANTY OF MERCHANTABILITY AND FITNESS FOR ANY PARTICULAR PURPOSE ARE EXPRESSLY LIMITED IN DURATION TO THE DURATION OF THIS LIMITED WARRANTY.

Some states do not allow the exclusion or limitation of incidental or consequential damages, or allow limitations on how long any implied warranty lasts, so the above limitations may not apply to you. This warranty gives you specific legal rights, and you may also have other rights which vary from state to state.

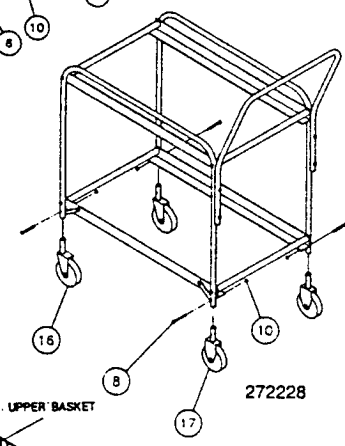
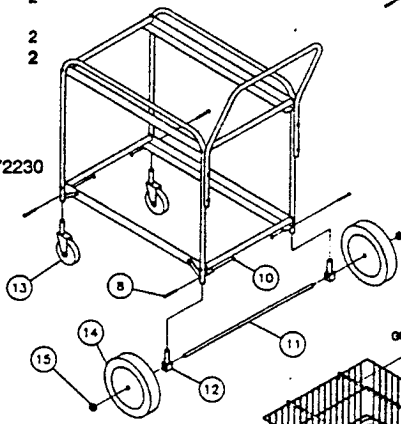
Small Carts Parts List

Item	Description	Qty.
1	Handle	1
2	Side Frame	2
3	Cross Tube	4
4	Upper Angle	2
5	Lower Angle	2
6	Flat Brace	4
7	1/4"-20 X 2" Rnd. Hd. Slot Scr.	4
8	1/4"-20 X 1-1/2" Rnd Hd. Slot Scr.	12
9	1/4"-20 X 3/8" Rnd. Hd. Slot Scr.	4
10	1/4"-20 Hex Nylock Nuts	20
#172230 Caster/Wheel Set		
11	Axle	1
12	Axle Adapter	2
13	5" Swivel Caster	2
14	10" Wheel	2
15	1/2" I.D. Push Nut	2
#172231 Caster Set		
16	4" Swivel Caster	2
17	4" Rigid Caster	2

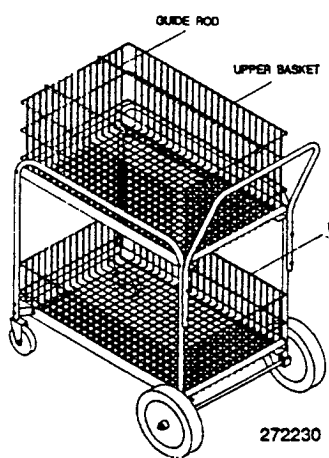


272228 &
272230

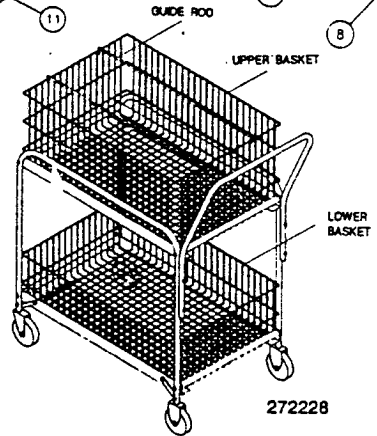
272230



272228



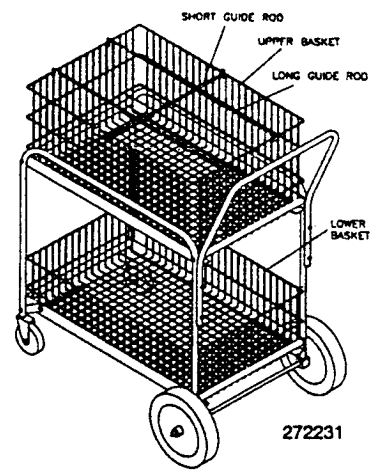
272230



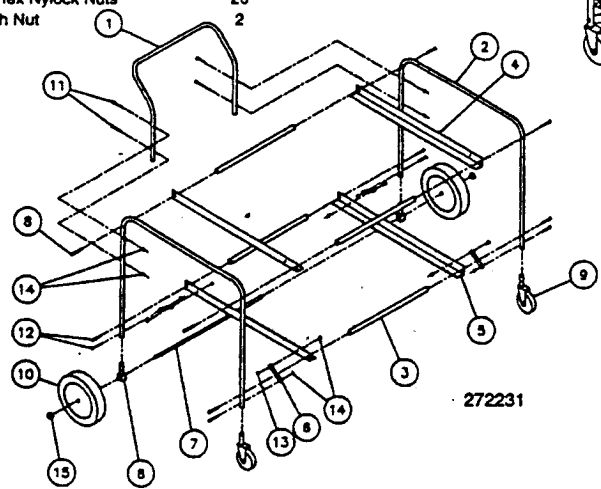
272228

Large Cart Parts List

Item	Description	Qty.
1	Handle	1
2	Side Frame	2
3	Cross Tube	4
4	Upper Angle	2
5	Lower Angle	2
6	Flat Brace	4
7	Axle	1
8	Axle Adapter	2
9	5" Swivel Caster	2
10	Wheel	2
11	1/4"-20 X 2" Rnd Hd Slot Scr.	4
12	1/4"-20 X 1-1/2" Rnd. Hd. Slot Scr.	12
13	1/4"-20 X 3/8" Rnd. Hd. Slot Scr.	4
14	1/4"-20 Hex Nylock Nuts	20
15	1/2" Push Nut	2



272231



272231