

Price List PJPL-05/06

Effective September 15, 2005

DELUXE AND LOWBOY PALLET TRUCK PARTS

Key	Part No.	Description	List Price
2	270101	Plunger piston	25.50
3	270578	Cap Washer	3.00
4	270102	Spring	9.50
5	270312	Dust seal	*
6	270313	Handle base bolt	1.00
7	270104	Cup packing	*
8	270236	Nyloc nut	1.90
9,10,11,12		Bushing set - sold only in kit 93.	
13	270106	Packing	*
14	270107	Screw	9.50
15	270108	Spring	*
16	270109	Valve cone	5.10
17	270110	Valve housing	7.50
18	270111	O' Ring	*
19	270112	Ball	*
20	270113	Spring pin	
		(Also available as part of seal kit)	1.60
21	270114	Handle base axle	11.90
22	270115	Handle base bolt and washer	1.00
23		Handle base - Sold only in kit #93	
24	270116	Spring pin	1.60
25	270117	Fill plug	2.50
26	270118	Axle pin	2.50
27	270119	Pin (Also available as part of seal kit)	1.20
28	270120	Locking ring	5.30
29	270121	Spring pin	1.60
30	270122	Thrust bearing (supports pump)	18.70
31	270123	Spring	*
32	270124	"O" Ring (small)	*
33	270576	Brass relief cylinder	7.10
34	270125	Release piston	5.00
35	270126	Lowering arm	8.50
36	270127	Table bolt	5.00
37	270128	Dust seal	*
38	270268	"O" Ring (large)	4.70
39	270267	Release piston boot	14.00
40	270129	"O" Ring	*
42	270130	Fill plug "O" Ring	*
43	270131	Cup packing	*
44	270579	Ball-9/16"	3.20
45	270133	Ram piston	170.80
46	270134	Steering wheel axle	32.80
47	270135	Steering wheel	101.30
48	270273	Ball bearing (steering wheel)	9.50
49	270137	Locking ring	1.60
50	270314	Steering wheel bearing cap	3.10
51	270138	Spring pin	1.60
52	270581	Hex set crew	1.60
53	270256	Trunion - For 21" wide truck	252.80
53	270257	Trunion - For 27" wide truck	252.80
54	270258	Trunion bushing	2.40
55	270574	Trunion pivot rod - 21" wide truck	35.50
55	270575	Trunion pivot rod - 27" wide truck	35.50
57	270272	Pivot rod spring pin	1.60
58	270278	Connecting rod - 48" fork only	95.00
58	270280	Connecting rod - 42" fork only	95.00
58	270279	Connecting rod - 36" fork only	95.00
59	270263	Load wheel yoke	71.30
60	270264	Connecting rod pin	20.80
61	270284	Pumpyoke	66.60

Key	Part No.	Description	List Price
62	270144	Load wheel yoke axle	31.90
63	270266	Spring pin	4.70
64	270273	Load wheel bearing (1.8125" O.D.) For use with #270261, #270288 & #270580 wheels	9.50
65	270288	Steel core polyurethane tread load wheel w/o bearing. Accepts #270289 dust cap.	83.80
66	270145	Load wheel axle	14.40
67	270289	Dust Cap	3.20
68	270141	Handle kit	142.80
90	270155	Handle release assembly kit	54.10
91	270138	Load wheel axle pin	1.60
92	270150	Replacement Hydraulic Pump	316.10
93	270105	Handle base kit	64.70
	270158	Seal Kit	63.30

NOTE: OLDER DELUXE UNITS MAY CONTAIN ONE OR MORE OF THE FOLLOWING PARTS: To avoid confusion when ordering these parts, please contact our customer service department if you are not sure of the vintage of your unit.

44	270132	Ball - 11/16"	3.20
65	270261	Load wheel w/o bearing 3.25" dia. x 2.75" wide. (Uses 270273 bearing)	Obsolete
65	270262	Load wheel w/o bearing 3" dia. x 2.625" wide. (Use 270140 bearing)	82.40
64	270273	Load wheel bearing (1.8125" O.D.) For #270261 & #270288 wheels	9.50

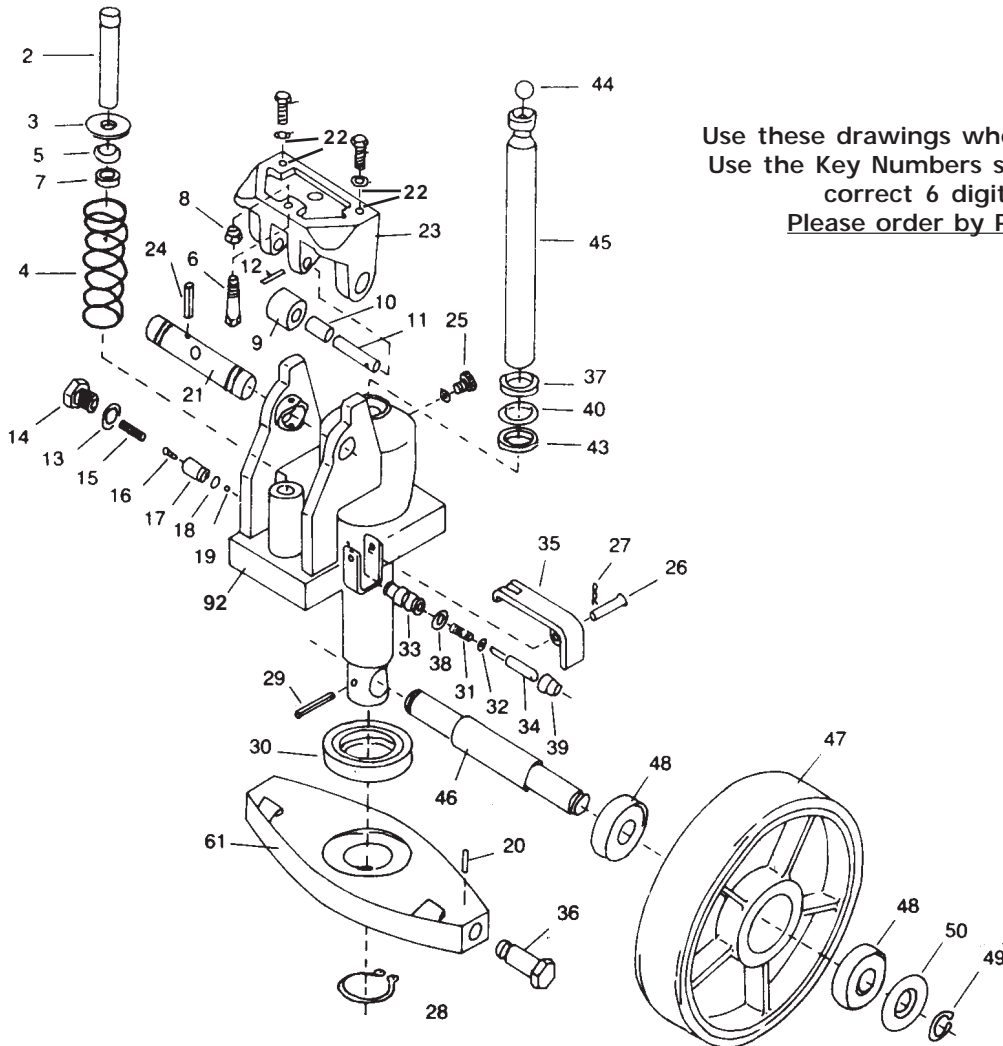
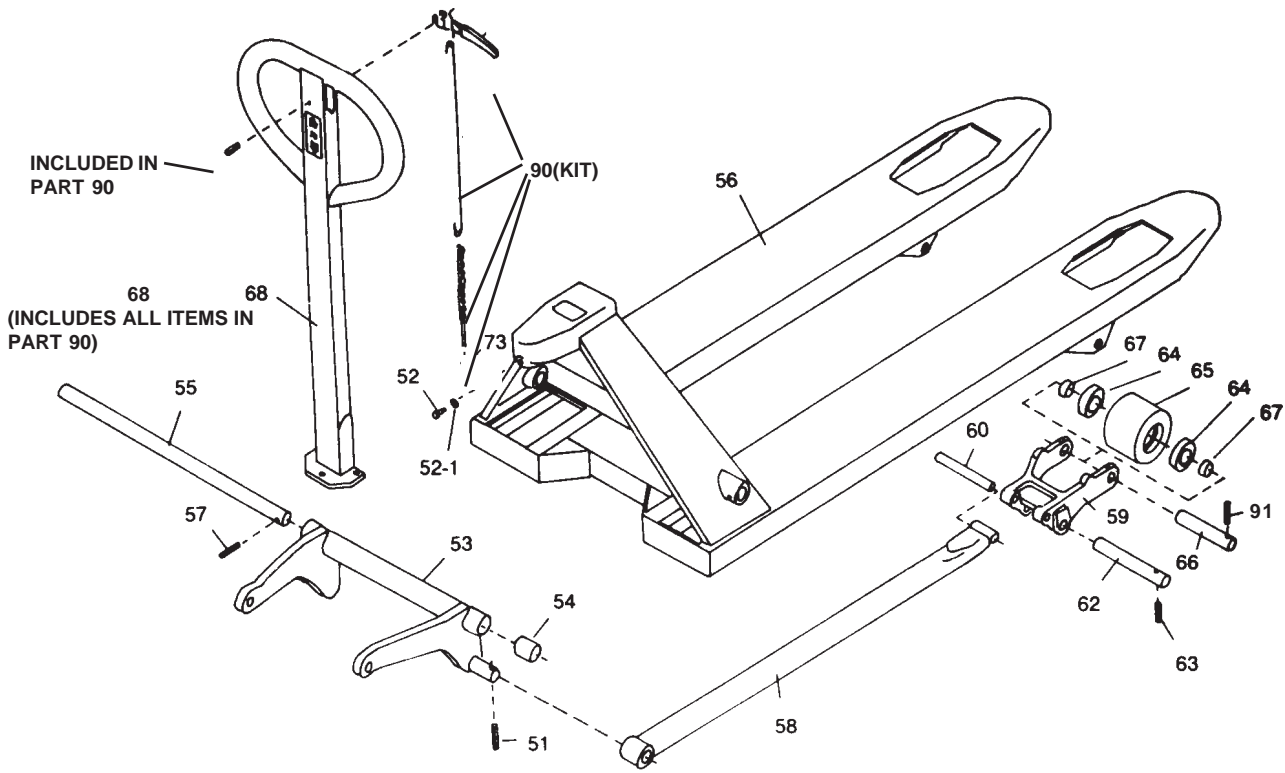
LOW BOY PALLET TRUCK PARTS (Note: Parts not listed in this section are the same for Deluxe and LowBoy Models.)

45	270811	Ram Piston 5/8	148.00
46	270805	Steering Wheel Axle	32.80
47	270803	Steering Wheel	110.30
48	270804	Steering Wheel Bearing	9.50
59	270802	Load Wheel Yoke	71.30
64	270806	Load Wheel Bearing	9.50
65	270801	Load Wheel	90.60
66	270800	Load Wheel Axle	14.40
67	270812	Dust Cap	3.10
68	270810	Handle Kit	USE Part 270141
92	270809	Replacement Pump	USE Part 270150
	270813	Connecting Rod - 36"	94.10
	270814	Connecting Rod - 42"	94.10
	270815	Connecting Rod - 48"	94.10

NOTE: Items with (*) instead of list price are available only as a part of the Seal Kit #270158.

New Deluxe Connecting Rods		
270836	Adjustable Rod - 36"	95.10
270842	Adjustable Rod - 42"	95.10
270848	Adjustable Rod - 48"	95.10
270584	U Ended Rod - 48"	95.10
270585	U Ended Rod - 42"	95.10
270586	U Ended Rod - 36"	95.10

170299



Use these drawings when ordering spare parts.
 Use the Key Numbers shown to determine the
 correct 6 digit part number.
Please order by Part Number only.