

# ERGONOMIC DRUM HANDLERS

## Powered, Manual and Scale Models



Standard Model  
P/N 240150



High Reach Model  
P/N 240154



Scale Model  
Accuracy  $\pm$  .5% of load  
P/N 240155



Power Lift  
P/N 240156



Power Lift & Drive  
P/N 240157



Wesco® has a complete selection of ergonomic drum handlers with a model for every application. Choose from five models - Standard, High Reach, Scale, Power Lift, Power Lift & Drive. Our patented GatorGrip drum grab handles most 30, 55 or 85 gallon steel, fiber or poly drums with at least a 3/16" lip. The auto-lock feature of the GatorGrip helps hold the drum securely in place until the drum is placed on the ground – even over rough surfaces. The operator does not need to touch drums to operate and our power units have an up/down remote control.

SEE VIDEOS  
OF THESE  
DRUM  
HANDLERS  
IN ACTION!

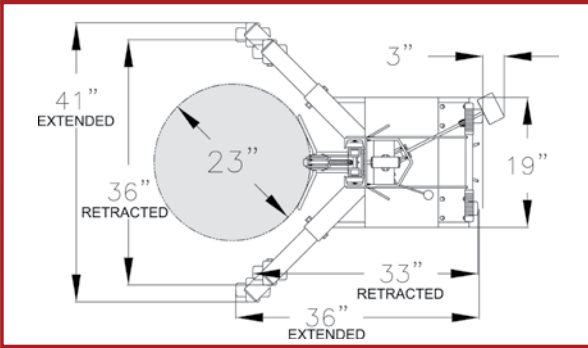


# WESCO®

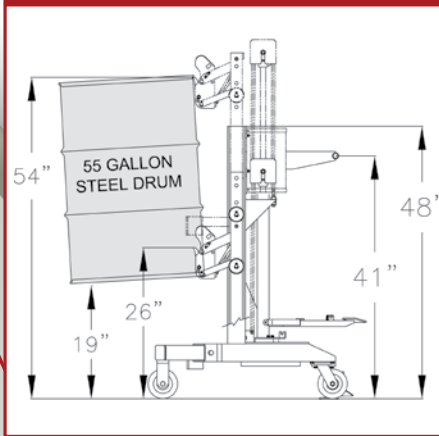
Part # Model #	240150 DM-1100	240154 DM-1100-HR	240155 DM-1100-S	240156 DM-1100-PL	240157 DM-1100-PLD
Description	Standard	High Reach	Scale	Power Lift	Power Lift & Drive
Rise/Stroke	1"	1"	1"	8.5" / sec. without load	8.5" / sec. without load
Legs Retracted Capacity	650 lbs	650 lbs	650 lbs	650 lbs	650 lbs
Legs Extended Capacity	1100 lbs	1100 lbs	1100 lbs	1100 lbs	1100 lbs
Weight	355.5 lbs	376 lbs	356 lbs	531 lbs	691 lbs

Now five models, all with U.S. Patented Gator Grip **U.S. Patent No. 6,619,905.**

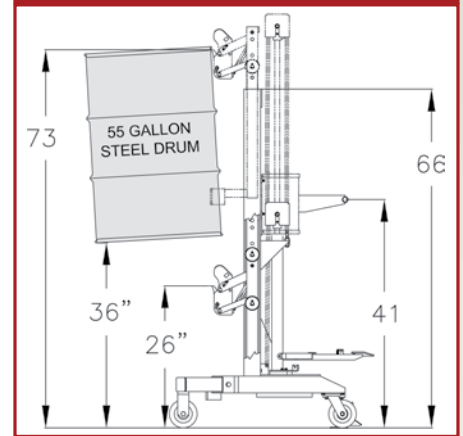
#240150 / #240154 SCHEMATIC



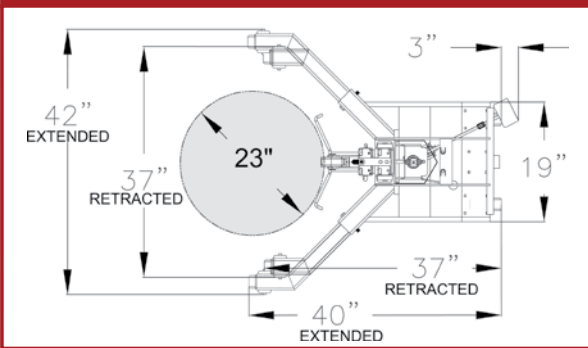
#240150 SCHEMATIC



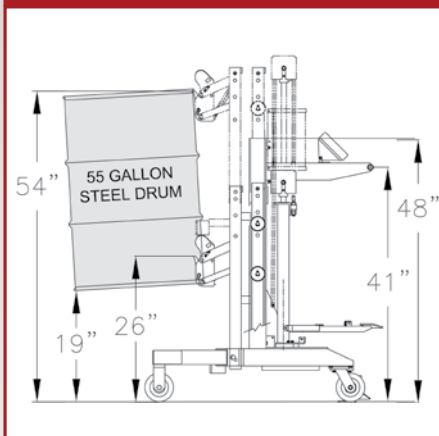
#240154 SCHEMATIC



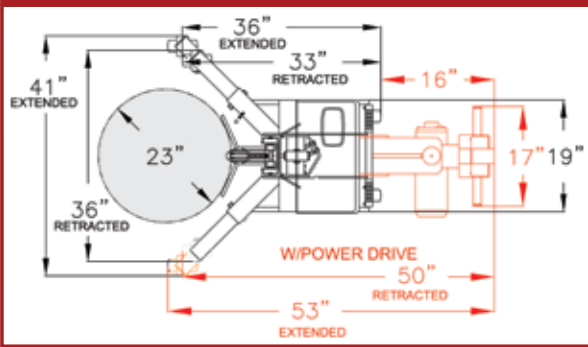
#240155 SCHEMATIC



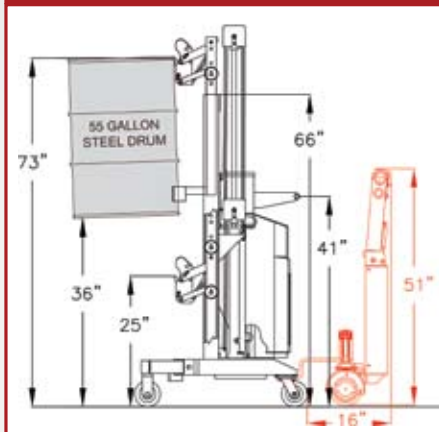
#240155 SCHEMATIC



#240156 / #240157 SCHEMATIC



#240156 / #240157 SCHEMATIC



**WESCO**® Distributed by:  
Industrial Products, Inc.

1250 Welsh Rd., North Wales, PA 19454  
Phone: 215-699-7031  
Fax: 215-699-3836  
<http://www.wescoimg.com>  
<http://www.lexcoeng.com>

For more details on this equipment or for information regarding any of the products available from WESCO Industrial Products, Inc., please contact your authorized dealer.