

2019 MASTER CATALOG

WWW.WESCOMFG.COM

WWW.LEXCOENG.COM

WESCO®

Industrial Products, Inc.

LEXCO

Custom Lift Tables



DRUM EQUIPMENT

HAND TRUCKS

LIFT EQUIPMENT

PLATFORM TRUCKS & CARTS

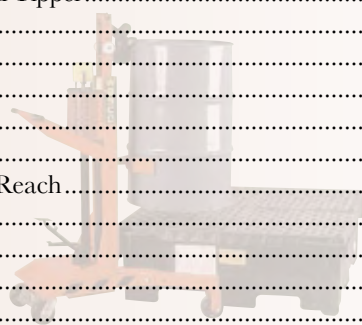
STAINLESS STEEL





Drum Handling Equipment

| | |
|--|-------|
| Drum Trucks - Steel, Aluminum, Stainless , 4-Wheel Drum Cart, KD Drum Truck | 3-6 |
| Drum Dollies - Steel, Aluminum, Stainless Steel & Polypropylene, Pail Truck & Pail Tipper..... | 7-8 |
| Drum Trucks, Carriers, Dispensers | 9 |
| Drum Racks, Cradles..... | 10 |
| Drum Lifters, Steel & Stainless Steel | 11 |
| Drum Sling and Dispensers | 12 |
| Gator Grip Drum Grab, Triple Truck Drum Attachment | 13 |
| Ergonomic Drum Handlers, Steel & Stainless Steel , Manual, Scale, Powered, High Reach..... | 14-15 |
| Fork Drum Grabs, Fork Truck Drum Dispensers, Poly Drum Lifters | 16 |
| FM Approved Drum Faucets, Plastic Drum Faucets..... | 17 |
| FM Approved Drum Vent, Wires, Gauges, Funnel, Pop-Up Gauges | 18 |
| Drum Deheaders & Wrenches..... | 19 |
| Drum Pumps & Drip Pans, Stainless Steel Rotary Pump | 20 |



Hand Trucks

| | |
|--|-------|
| Industrial Duty Steel Hand Trucks, Stainless Steel Hand Truck | 21-22 |
| 2-in-1, Convertible Steel Hand Trucks, Curb Ramp | 23 |
| Standard Duty Steel Hand Trucks..... | 24 |
| Touch-N-Tilt, Drum Hand Trucks, Stainless Steel Drum Truck , 4-Wheel Drum Cart | 25 |
| Heavy Duty Hand Trucks | 26 |
| Heavy Duty Warehouse and Economy Trucks | 27 |
| Cylinder Carts and Trucks | 28-29 |
| Aluminum Cobra-Lite Hand Trucks, Options, Components, Handles | 30-33 |
| Aluminum Cobra Convertible, Spartan Economy Convertible, Powered CobraPro..... | 34-35 |
| Aluminum Mini Cobra, 3 Position Cobra, Spartan III, Options | 36 |
| Power LiftKar, StairKing Stairclimbing Trucks, Options..... | 37-40 |
| Vending & Appliance Trucks, Steel & Aluminum, Standard & Heavy Duty | 41-43 |



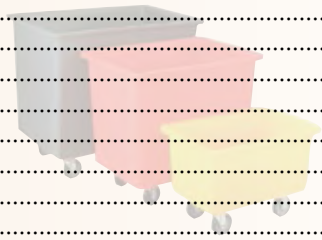
Lift Equipment

| | |
|---|-------|
| Pallet Trucks Manual & Powered, Narrow Aisle, Stainless , Quick Lift, Walkie Stacker | 44-53 |
| Pallet Jack Stop, Pallet Truck Chock, Backrest Guards | 54 |
| Steel Pedalifts: Winch & Hydraulic Lifters, Stainless Pedalifts | 55-56 |
| Cylinder & Universal Lifts, Hydraulic & Winch Lite Lifts | 57 |
| Triple Truck, Aluminum Pedalifts | 58 |
| Hand Winch Lifts | 59 |
| Platform Stackers, 1,000 lb Winch Stackers | 60 |
| Fork Stackers | 61 |
| Manual & Electric Value Lifts, Office Lifts, Premium Light Duty Winch Lift | 62 |
| 2,200 lb Power Drive & Counter-Balance Stackers | 63 |
| 1,000, 1,500, 2,000 lb Powered Stackers-Platform, Fork, Adjustable, Telescoping, Dual Platform Stacker..... | 64-67 |
| Wesco®, Lexco® Hydraulic Lift Tables, Lexco Die Handlers, Roller & Ball Transfer Tops | 68-74 |
| Scissors Lift Tables, Die Lift Tables, Double Scissors Table, Long Deck Tables..... | 75-76 |
| Powered Lift Scissors Tables | 77 |
| Pallet Levelers, Spring & Pneumatic | 78 |
| Rais-N-Rol™ Machinery Movers, Furniture Movers & Trolleys..... | 79-80 |



Platform Trucks, Carts & Dollies

| | |
|---|-------|
| Platform Trucks - Aluminum, Steel Grid, Steel, Panel Cart, Power Drive, Wood Dollies..... | 81-85 |
| U-Boats; Aluminum, Steel, Wood, Shelf Option | 86 |
| Folding-Handle Platform Trucks; Steel, Stainless , Aluminum..... | 87-88 |
| Stainless Steel Carts | 89 |
| Steel & Plastic Service Carts, Plastic Platform Trucks | 90-91 |
| Wire Basket & Table Top Office Carts, File Cabinet Truck, Desk Mover..... | 92 |
| Lightweight Folding Trucks | 93 |
| Tilt Carts..... | 94 |
| Polyethylene Tub Carts | 95 |



Dock and Shipping Equipment, Wire Shelving and Wheels

| | |
|---|---------|
| Strapping Truck & Tools, UL Approved Dock Lights..... | 96 |
| Strip Doors..... | 97 |
| NSF Approved Wire Shelving & Accessories | 98-99 |
| Trailer Stabilizing Jacks, Cargo Bars | 100 |
| Fork Extensions, Maintenance Platform, Battery Transfer Cart, Trolleys..... | 101 |
| Wheels..... | 102-103 |



A 5 Year Guarantee Against Weld Failure. A Wesco Quality Exclusive.

DRUM TRUCK FEATURES:

■ Heavy duty, double-welded joints.

■ 1" structural steel frame.

■ Kickstands to store upright.



5BT



5BTW

5BT & 5BTW Economy Series

- Kickstand.
- With wheels resting on floor, 22" to center of lowered chime hook.
- **Steel drums only.**
- Handles 55 & 85 gallon steel drums.

OVERALL DIMENSIONS

w: 24.5"
h: 62"
d: 17"



10BT



10BTW

10BT & 10BTW Standard Series

- Machined steel load wheels behind nose prongs help ease the lifting of the drum.
- With wheels resting on floor, 22" to center of lowered chime hook.
- **Steel drums only.**
- Handles 55 & 85 gallon steel drums.

OVERALL DIMENSIONS

w: 24.5"
h: 61"
d: 14.5"



15BT



15BT & 15BTW Deluxe Series

- Four wheel design enables user to quickly and easily load and unload drums from pallet.
- With two wheels resting on floor, 20.5" to center of lowered chime hook.
- Replaceable hard faced double-beveled nose prongs, Part # 240060.
- **Steel drums only.**
- Handles 30, 55 & 85 gallon steel drums.

OVERALL DIMENSIONS

w: 24"
h: 58"
d: 21"



6" x 2" Special swivel caster design for tight turning radius



15BTC

15BTC Ergonomic Drum Truck

- Ergonomic swivel caster design reduces operator muscle strain and fatigue.
- With two wheels resting on floor, 20.5" to center of lowered chime hook.
- Replaceable hard faced double-beveled nose prongs, Part # 240060.
- **Steel drums only.**
- Handles 30, 55 & 85 gallon steel drums.

OVERALL DIMENSIONS

w: 24"
h: 58"
d: 21"



20BT



20BT & 20BTW-Deluxe Series

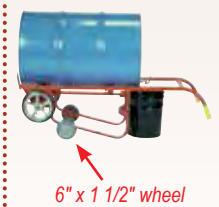
- Floating axle reduces effort required to break over and balance load.
- Chime hook can be stored at the top of the frame for easy use.
- Replaceable hard faced double-beveled nose prongs, Part # 240060.
- **Steel drums only.**
- Handles 30, 55 & 85 gallon steel drums.

OVERALL DIMENSIONS

w: 23.5"
h: 60"
d: 17"



30BT



6" x 1 1/2" wheel

30BT & 30BTW-Standard Series

- Multi-functional drum truck allows you to move drums on four wheels and acts as a drum cradle for storage or dispensing.
- 16.5" drain height.
- With two wheels resting on floor, 28" to bottom of lowered chime hook.
- **Steel drums only.**
- Handles 30, 55 & 85 gallon steel drums.

OVERALL DIMENSIONS

w: 24"
h: 56"
d: 20.5"

| Part # | 240009 | 240010 | 240013 | 240014 | 240001 | 240002 | 240121 | 240003 | 240004 | 240005 | 240006 |
|-----------|---------------|------------|---------------|------------|---------------|------------|---------------|---------------|------------|---------------|------------|
| Model # | 5BT | 5BTW | 10BT | 10BTW | 15BT | 15BTW | 15BTC | 20BT | 20BTW | 30BT | 30BTW |
| Capacity | 1,000 lbs | 1,000 lbs | 1,000 lbs | 1,000 lbs | 1,000 lbs | 1,000 lbs | 1,000 lbs | 1,000 lbs | 1,000 lbs | 1,000 lbs | 1,000 lbs |
| 10" Wheel | Moldon Rubber | Polyolefin | Moldon Rubber | Polyolefin | Moldon Rubber | Polyolefin | Moldon Rubber | Moldon Rubber | Polyolefin | Moldon Rubber | Polyolefin |
| 6" Wheel | N/A | N/A | N/A | N/A | Moldon Rubber | Polyolefin | Moldon Rubber | N/A | N/A | Moldon Rubber | Polyolefin |
| Weight | 68 lbs | 53 lbs | 64 lbs | 50 lbs | 79 lbs | 61 lbs | 79 lbs | 74 lbs | 59 lbs | 82 lbs | 66 lbs |



A 5 Year Guarantee Against Weld Failure. A Wesco Quality Exclusive.

DRUM TRUCK FEATURES:

- Heavy duty, double-welded joints. ■ 1" structural steel frame.
- Self standing or with kick stand for upright storage.



40 BT



45BT



50 BT

Rear wheels on 50BT –
Aluminum Ctr. Moldon Rubber
Rear wheels on 50BTW – Polyolefin

40BT & 40BTW Series

- Handles all poly and fiber drums except overpacks (use 45BT for overpacks).
- Replaceable feet - Part# 240115 and replaceable belt - Part# 150303.
- Floating axle reduces effort required to break over and balance load.
- With wheels resting on floor, 28" to bottom of belt.
- Handles 30, 55 & 85 gal. drums.
- **Steel, poly & fiber drums.**

OVERALL DIMENSIONS

w: 23.75"
h: 59.75"
d: 24"

45BT & 45BTW Series

- Recommended primarily for handling of overpacks.
- Wide "feet" eliminate the risk of drums being punctured by nose prongs.
- Replaceable feet - Part # 240115 and replaceable belt - Part # 150304.
- Floating axle reduces effort required to break over and balance load.
- With wheels resting on floor, 28" to center of belt.
- Handles 30, 55 & 85 gal. drums.
- **Steel, poly & fiber drums.**

OVERALL DIMENSIONS

w: 24"
h: 59.75"
d: 24"

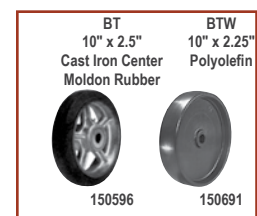
50BT & 50BTW Series

- Acts as a Poly Drum Truck or Drain Stand.
- Wide "feet" and belt eliminate the risk of drums being punctured by nose prongs and chime hooks.
- With two wheels resting on floor, 32" to center of belt.
- Handles all poly drums (except overpacks).
- Handles 30, 55 & 85 gal. drums.
- **Steel, poly & fiber drums.**

OVERALL DIMENSIONS

w: 24"
h: 57.5"
d: 25"

| Part # | 240081 | 240076 | 240082 | 240077 | 240083 | 240078 |
|-----------|---------------|------------|---------------|------------|---------------|------------|
| Model # | 40BT | 40BTW | 45BT | 45BTW | 50BT | 50BTW |
| Capacity | 1,000 lbs | 1,000 lbs | 1,000 lbs | 1,000 lbs | 1,000 lbs | 1,000 lbs |
| 10" Wheel | Moldon Rubber | Polyolefin | Moldon Rubber | Polyolefin | Moldon Rubber | Polyolefin |
| 6" Wheel | N/A | N/A | N/A | N/A | Moldon Rubber | Polyolefin |
| Weight | 82 lbs | 67 lbs | 82 lbs | 67 lbs | 86 lbs | 65 lbs |





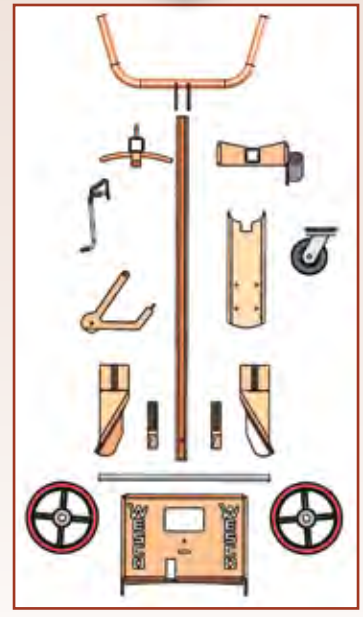
US PATENT NO. 9,302,688



#240016



#240019 WITH (#240211) OPTIONAL 3RD WHEEL 304 STAINLESS STEEL



#240017



#240017 WITH (#240210) OPTIONAL 3RD WHEEL

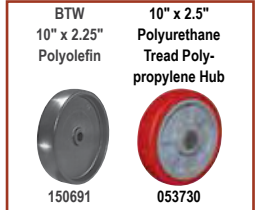


Knock Down (KD) Drum Trucks

- UPSable - KD and boxed.
- Six models: (4) Steel and (2) **304 Stainless** Construction.
- Handles 30, 55 and 85 gallon drums.
- Models to handle steel and poly drums.
- Requires minimal assembly.
- All parts removable and interchangeable.
- Each of the six models include handle, frame, base, kickstand, axle, toe or feet, wheels, chime hook or belt and hardware.
- Foot operated break-over assist bar provides extra leverage to tilt and balance load and allows truck to rest in tilt-back position.
- **Stainless** models okay for wash down.

- **Optional 3rd Wheel:**
- Ergonomic design, better maneuverability.
 - Better load support.
 - Helps reduce breakerover effort.
 - 5" x 2" swivel caster.
 - Two Models: #240210 for steel trucks, 13 lbs. #240211 for **304 stainless** trucks, 14 lbs.

| Part # | 240016 | 240017 | 240052 | 240053 | 240019 | 240020 |
|------------------------|-------------------------|----------------------------------|--------------------|----------------------------------|------------------------------|-----------------------------------|
| Model # | KD-STL-STL-PU | KD-STL-POLY-PU | KD-STL-STL-PO | KD-STL-POLY-PO | KD-SS-STL-PO | KD-SS-POLY-PO |
| Capacity | 1,000 lbs | 1,000 lbs | 1,000 lbs | 1,000 lbs | 1,000 lbs | 1,000 lbs |
| Wheel | 10" x 2.5" Polyurethane | 10" x 2.5" Polyurethane | 10" Polyolefin | 10" Polyolefin | 10" Polyolefin | 10" Polyolefin |
| Drum Type Handled | Steel | Poly | Steel | Poly | Steel | Poly |
| Toe/Foot (replaceable) | Milled Toe #240060 | Formed Foot #240115 | Milled Toe #240060 | Formed Foot #240115 | Stainless Milled Toe #051904 | Stainless Foot #050362 |
| Construction | Steel | Steel | Steel | Steel | 304 Stainless | 304 Stainless |
| Chime Hook | #240214 - steel | N/A | #240214 - steel | N/A | #050197- stainless | N/A |
| Belt | N/A | #240212 - steel ratchet assembly | N/A | #240212 - steel ratchet assembly | N/A | #240213 - stainless buckle |
| Weight | 70 lbs | 78 lbs | 63 lbs | 71 lbs | 66 lbs | 75 lbs |



DRUM HANDLING EQUIPMENT



240120



210353



4-Wheel Drum Cart

- Two position, 4-wheel transport design to handle drums and standard loads.
- **Position I:** Easily handles and maneuvers standard loads as a 4-wheel transport.
- **Position II:** With the chime hook engaged and a press of the foot pedal, the frame tilts a 30 or 55 gallon steel drum to a balanced position to maintain 4-wheel contact even with half empty bottom heavy drums.
- Two 3.5" x 1.5" polyolefin swivel casters for easy maneuverability in narrow spaces.
- Chime hook to engage 30 & 55 gallon steel drums.
- 7.8" D x 14" W beveled edge noseplate.
- Curved frame holds 5-gallon pails and kegs.

OVERALL DIMENSIONS

| | | |
|----|--------|--------|
| w: | 19.25" | 19.25" |
| h: | 48" | 48.5" |
| d: | 26.25" | 25" |



156DH-PP8-SS
304 STAINLESS STEEL

156DH Drum/Hand Truck

- Utility of a hand truck and drum truck.
- Chime hook works with 55 and 30-gallon steel drums.
- Curved frame holds 5-gallon pails and kegs.
- With noseplate resting flat on floor, 15.5" to center of lowered chime hook.
- Noseplate 7.8" D x 14" W.
- 304 stainless steel model #210352.
- Stainless model has 8" polyurethane, non-marking wheels with stainless precision ball bearings.

OVERALL DIMENSIONS

| | | | | |
|----|-------|-------|-------|-------|
| w: | 20.5" | 20.5" | 20.5" | 20.5" |
| h: | 48" | 48" | 48" | 48" |
| d: | 18.5" | 17.5" | 18.5" | 18.5" |

Stainless

Manual Aluminum Drum Trucks

- Spring loaded chime hook automatically engages drum.
- Two chime hooks available:
 - SCH: standard hook for closed head steel, fiber and poly drums (SC). (Not for use on drums with locking ring or 85 gallon size.)
 - LCH: special order hook for steel, fiber and poly drums with locking rings. Can be used on 85 gallon drums.
- Two wheel choices:
 - 10" Moldon Rubber on Aluminum Hub - #055684.
 - 12" Pneumatic Steel Hub - #108484.
- Disc wheel brake activated by hand lever:
 - B: with brake.
 - NB: no brake.
 - Example: ABT-10-SC-NB (no brake).
- Steel, poly and fiber drums.
- 30 and 55 gallon drums.

OVERALL DIMENSIONS

| | |
|----|---------|
| w: | 25.875" |
| h: | 60" |
| d: | 18.5" |

| Part # | 240124 | 240132 | 240120 | 240134 | 210353 | 210354 | 210340 | 210349 | 210266 | 210352 |
|----------|-------------------------------------|-------------------------------------|---------------------------------|---------------------------------|---------|----------|---------|----------|---------|-----------------|
| Model # | ABT-10-SC-B | ABT-10-SC-NB | ABT-12-SC-B | ABT-12-SC-NB | 4WDC-ZC | 4WDC-HBC | 156DH-Z | 156DH-HB | 156DH-P | 156DH-PP8-SS |
| Capacity | 1,000 lbs | 1,000 lbs | 1,000 lbs | 700 lbs | 800 lbs | 900 lbs | 700 lbs | 800 lbs | 700 lbs | 600 lbs |
| Brake | Yes | No | Yes | No | N/A | N/A | N/A | N/A | N/A | N/A |
| Wheels | 10" Moldon Rubber Rear 6" Moldon | 10" Moldon Rubber Rear 6" Moldon | 12" Pneumatic Rear 6" Moldon | 12" Pneumatic Rear 6" Moldon | 10"/ Z | 8"/ HB | Z | HB | P | 8" Polyurethane |
| Weight | 60 lbs | 60 lbs | 60 lbs | 60 lbs | 66 lbs | 66 lbs | 39 lbs | 42.5 lbs | 39 lbs | 33.5 lbs |



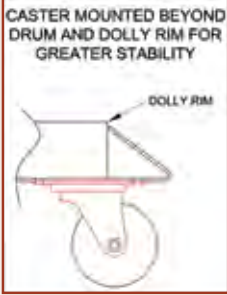
Stainless Steel Drum Dollies

- **Wesco's Stability Advantage.** By design, Wesco casters are mounted past the dolly and drum rim. Our casters are mounted further apart than standard designs with casters completely underneath the drum and closer together. The further the casters are apart the greater the stability.
- Welded **304 stainless steel** dolly construction with reinforced outriggers.
- **304 stainless steel** dollies are ideal for clean room, pharmaceutical, food and wash down applications.
- Models available for 30, 55, and 85 gallon drums.



SS5-PPSS
All stainless rigs with
3" polypropylene
wheels

- Three caster set options:
HRZ: zinc plated swivel rig with 3" hard rubber wheel & zinc plated hardware
*HRSS: **304 stainless steel** swivel rig with 3" hard rubber wheel & stainless hardware
*PPSS: **304 stainless steel** swivel rig with 3" white polypropylene wheel & stainless hardware.
*Suitable for wash down applications.



ASSEMBLED OVERALL DIMENSIONS SS3

w: 24"
h: 6"
d: 24"

ASSEMBLED OVERALL DIMENSIONS SS5

w: 28.5"
h: 6"
d: 28.5"

ASSEMBLED OVERALL DIMENSIONS SS8

w: 31.5"
h: 6"
d: 31.5"

| Part # | 240192 | 240193 | 240194 | 240195 | 240196 | 240197 | 240198 | 240199 | 240200 |
|-----------------|------------------------|-----------------------|------------------------|------------------------|-----------------------|------------------------|------------------------|-----------------------|------------------------|
| Model # | SS3-HRZ | SS3-HRSS | SS3-PPSS | SS5-HRZ | SS5-HRSS | SS5-PPSS | SS8-HRZ | SS8-HRSS | SS8-PPSS |
| Capacity | 900 lbs | 900 lbs | 1,000 lbs | 900 lbs | 900 lbs | 1,000 lbs | 900 lbs | 900 lbs | 1,000 lbs |
| I.D. | 19" | 19" | 19" | 24" | 24" | 24" | 27" | 27" | 27" |
| Drum Size | 30 gal | 30 gal | 30 gal | 55 gal | 55 gal | 55 gal | 85 gal | 85 gal | 85 gal |
| Caster Rig | Zinc plate 4 swivel | Stainless 4 swivel | Stainless 4 swivel | Zinc plate 4 swivel | Stainless 4 swivel | Stainless 4 swivel | Zinc plate 4 swivel | Stainless 4 swivel | Stainless 4 swivel |
| 3" Caster Wheel | Hard Rubber | Hard Rubber | White Polypropylene | Hard Rubber | Hard Rubber | White Polypropylene | Hard Rubber | Hard Rubber | White Polypropylene |
| Dolly Material | 304 Stainless | 304 Stainless | 304 Stainless | 304 Stainless | 304 Stainless | 304 Stainless | 304 Stainless | 304 Stainless | 304 Stainless |
| Weight | 20 lbs | 20 lbs | 18 lbs | 22 lbs | 22 lbs | 21 lbs | 24 lbs | 24 lbs | 23 lbs |

Steel Drum Dollies

- **Wesco's Stability Advantage.** By design, Wesco casters are mounted past the dolly and drum rim. Our casters are centered under the dolly rim and further apart than standard designs which are inside the rim and closer together. The further the casters are apart, the greater the stability.
- All welded steel frame construction with reinforced outriggers.
- Four bolt on 3" swivel casters.
- I.D. varies among models.
- Models available for 30, 55, and 85 gallon drums.



D5-SI



4 swivel casters.



ASSEMBLED OVERALL DIMENSIONS - D3

w: 24"
h: 6"
d: 24"

ASSEMBLED OVERALL DIMENSIONS - D5

w: 28.5"
h: 6"
d: 28.5"

ASSEMBLED OVERALL DIMENSIONS - D8

w: 31.5"
h: 6"
d: 31.5"

| | | | | | | |
|-----------------|------------------------|------------------------|------------------------|------------------------|------------------------|------------------------|
| Capacity | 1,000 lbs | 900 lbs | 1,000 lbs | 900 lbs | 1,000 lbs | 900 lbs |
| I.D. | 19" | 19" | 24" | 24" | 27" | 27" |
| Drum Size | 30 gal | 30 gal | 55 gal | 55 gal | 85 gal | 85 gal |
| Caster Rig | Zinc plate 4 swivel | Zinc plate 4 swivel | Zinc plate 4 swivel | Zinc plate 4 swivel | Zinc plate 4 swivel | Zinc plate 4 swivel |
| 3" Caster Wheel | Sintered Iron | Hard Rubber | Sintered Iron | Hard Rubber | Sintered Iron | Hard Rubber |
| Dolly Material | Steel | Steel | Steel | Steel | Steel | Steel |
| Weight | 18 lbs | 18 lbs | 24.5 lbs | 22 lbs | 26 lbs | 26 lbs |



Polypropylene Dolly

- 5 swivel casters, 3" polyolefin wheels.
- Handles 30 or 55 gallon drums.
- Rigid latticed understructure for strength.

| OVERALL DIMENSIONS | |
|--------------------|--------|
| w: | 24.25" |
| h: | 7.125" |
| d: | 24.25" |



2 rigid and 2 swivel casters.



*Model SSD with drain plug and handle.



Specialty Dollies

- 3" hard rubber caster.
- Steel or aluminum designs.

| OVERALL DIMENSIONS | | | | |
|--------------------|-------|--------|-------|-------|
| w: | 24.5" | 25.75" | 24.5" | 24.5" |
| h: | 6" | 6" | 6" | 6" |
| d: | 24.5" | 24.5" | 24.5" | 24.5" |



PT Pail Truck

- Handles up to four standard steel or plastic 5-gallon pails.
- Ergonomic design eliminates the need to stack pails on a noseplate.
- 10" Semi-Pneumatic - **#150589**.

| OVERALL DIMENSIONS | |
|--------------------|-----|
| w: | 26" |
| h: | 55" |
| d: | 21" |

Pail Tipper

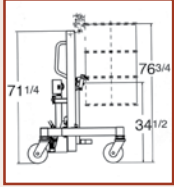
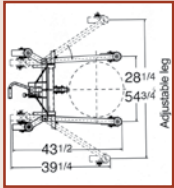
- Adjustable chime hook.
- Ships KD easy assembly.
- Boxed dimensions 16.5"W x 22"D x 3"H.
- For dispensing 5 gal. steel or plastic pails.

| OVERALL DIMENSIONS | |
|--------------------|-------|
| w: | 14.5" |
| h: | 30" |
| d: | 14.5" |

| Part # | 240201 | 240033 | 240040 | 240043 | 240044 |
|-----------------|------------------------|----------------------------|------------------------|------------------------|------------------------|
| Model # | P55-30-P | RSD | SSD* | RASD | RAOD |
| Capacity | 900 lbs | 900 lbs | 900 lbs | 900 lbs | 900 lbs |
| I.D. | 23.25" | 24" | 23.625" sq. | 24" | 24" |
| Drum Size | 30 or 55 gal | 55 gal | 30 or 55 gal | 30 or 55 gal | 30 or 55 gal |
| Caster Rig | Zinc Plate 5 Swivel | Zinc plate 2 Rgd./2 Sw. | Zinc plate 4 swivel | Zinc plate 4 swivel | Zinc plate 4 swivel |
| 3" Caster Wheel | Polyolefin | Hard Rubber | Hard Rubber | Hard Rubber | Hard Rubber |
| Dolly Material | Polypropylene | Steel | Steel | Aluminum | Aluminum |
| Weight | 17 lbs | 22 lbs | 47 lbs | 20 lbs | 14 lbs |

| Part # | 240042 | 273108 |
|----------|----------------|--------|
| Model # | PT | PTR |
| Capacity | 500 lbs | 70 lbs |
| Brake | N/A | N/A |
| Wheels | Semi-Pneumatic | N/A |
| Weight | 40 lbs | 10 lbs |





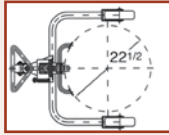
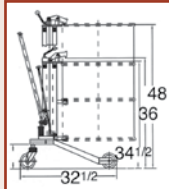
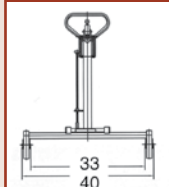
HLDT-880

High-Lift Hydraulic Drum Truck

- Handles 55, and 85 gallon drums.
- Easy width adjustment to accommodate a variety of pallets.
- Four 7 1/2" moldon polyurethane swivel casters.
- Locking rear casters.
- Works with most rimmed steel and poly drums.
- Not for use with open head drums or drums with lid rings.

OVERALL DIMENSIONS

w: 54.75"
h: 71.25"
d: 43.5"



HDT-550

Economy Hydraulic Drum Truck

- Handles steel drums up to 22 1/2" in diameter.
- 2 rigid and 1 swivel locking caster for easy maneuverability.
- Pallet truck-type pump handle.
- Works with most rimmed steel drums.

OVERALL DIMENSIONS

w: 40"
h: 46"
d: 32.5"



PTDL

Pallet Truck Drum Lifter

- Hydraulic pallet truck design to lift and move 55 gallon steel drums.
- Lowered height: 10"
- Raised height: 14.5"
- 8" x 2" nylon steering wheels.
- 1" x 3" nylon load wheels.

OVERALL DIMENSIONS

w: 28.5"
h: 47.5"
d: 42"



VDCD



Value Drum Carrier and Dispenser

- Economically priced.
- Three height adjustments: 9.25", 10.625" and 12".
- Vertical and horizontal locking positions.
- Polyurethane wheels and casters.
- 8" x 2" wheels and 4" x 1.25" caster.
- Ships KD.

OVERALL DIMENSIONS

w: 35"
h: 65.5"
d: 37"



500

Spill-Less Open Drum Truck

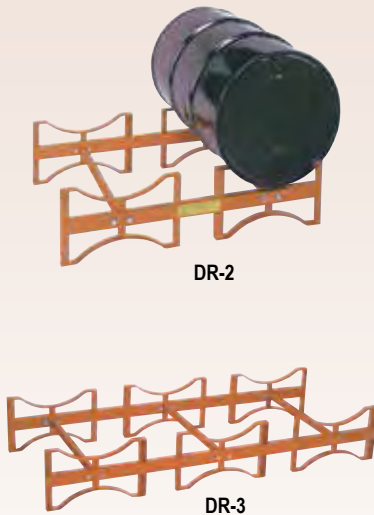
- Transport drums in a vertical position.
- Handles 55 gallon drums.
- 8" x 2" moldon rubber wheels with roller bearings.
- 5" x 2" polyolefin swivel casters.
- All welded construction.

OVERALL DIMENSIONS

w: 32"
h: 32.25"
d: 25.25"



| Part # | 272967 | 272945 | 273250 | 272404 | 240015 |
|---------------------|--|---|--|---|--|
| Model # | HLDT-880 | HDT-550 | PTDL | VDCD | 500 |
| Capacity | 880 lbs | 550 lbs | 660 lbs | Full Drum - 800 lbs Half Drum - 500 lbs | 1,000 lbs |
| Wheels | (4) 7.5" Polyurethane Swivel | (2) 8" Polyurethane Wheels (1) 5" Polyurethane Caster | (2) 8" x 2" Nylon Steering Wheels (2) 1" x 3" Nylon Load Wheels | (2) 8" x 2" Polyurethane Wheels (1) 4" x 1.25" Polyurethane Caster | (2) 8" x 2" Moldon Rubber w/ Roller Bearings (1) 5" x 2" Polyolefin Swivel Caster |
| Lift Height | 76.75" to top of drum 42.5" to bottom of 34.5" steel drum | 48" to top of drum 13.5" to bottom of 34.5" steel drum | N/A | N/A | N/A |
| Lift | 0.45" per stroke | 0.87" per stroke | N/A | N/A | N/A |
| Leg Span Adjustment | 28.25" - 54.75" | N/A | N/A | N/A | N/A |
| Lift Range | 42.5" | 13.5" | N/A | N/A | N/A |
| Weight | 220 lbs | 99 lbs | 115 lbs | 105 lbs | 70 lbs |



Drum Racks

- Two and three 55 gal. steel drum models.
- Four-side fork truck entry.
- Can be stacked 4 high.
- Standard models ship knocked down and boxed via UPS.
- Quick and easy to assemble.
- Welded and bolted construction.

OVERALL DIMENSIONS

| | |
|----------|-------|
| w: 45.5" | 71.5" |
| h: 12.5" | 12.5" |
| d: 30" | 30" |



Deluxe Drum Cradle

- Tips, drains, stores, rotates and moves 30 or 55 gallon steel drums.
- Dual telescoping wood handles allow easy two handed control.
- Large 4" x 1.25" polyolefin wheels for easy movement over uneven floors.
- Shipped knocked down and boxed via UPS.
- **Backed by 2 year warranty against weld failure.**
- Drip tray option available.

OVERALL DIMENSIONS

| |
|------------------|
| w: 19" |
| d: 43" - 67.375" |
| h: 25.5" |
| 20" drain height |



Standard Steel Drum Cradles

- Economical and convenient way to tip, drain and store 55 gallon steel drums.
- Easy for one person to use.
- All models ship knocked down and boxed via UPS.
- Models available with 2.5" polyolefin wheels, self-storing load tipping lever, and swivel casters.
- Drip tray option available for all models

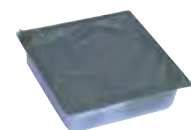
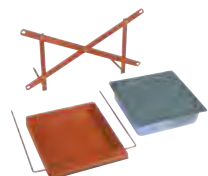
OVERALL DIMENSIONS

| |
|---|
| w: 19.5" |
| d: 32.5" |
| h: 15" on wheeled models 13.5" on non-wheeled models |

| Part # | 240026 | 240027 | 240025 | 240022 | 240023 | 240024 |
|----------|---------------------|---------------------|----------------------------------|----------------------------|----------------------------|---|
| Model # | DR-2 | DR-3 | CW-20 | CW-10 | CWO-10 | CWS-10 |
| Capacity | 1,600 lbs (2 drums) | 2,400 lbs (3 drums) | 1,000 lbs | 600 lbs | 600 lbs | 600 lbs |
| Wheels | N/A | N/A | (4) 4" x 1.25" Polyolefin Wheels | (4) 2.5" Polyolefin Wheels | (4) 2.5" Polyolefin Wheels | 2.5" Polyolefin: (2) Wheels (2) Casters |
| Weight | 49 lbs | 64.5 lbs | 50 lbs | 30 lbs | 32 lbs | 34 lbs |

Drip Tray

- Steel slide-out tray 9.75" x 9.75" with 1.75" lip.
- Fits all Wesco drum cradles.
- Polyethylene pan.
- Cellulose absorbent holds 3 quarts of liquid.



| Part # | 270413 | 270414 |
|---------|---------|--------|
| Model # | DT | DP |
| Weight | 7.5 lbs | 1 lb |



EDL-5



Economy Drum Lifter

- Lightweight and easy to use.
- Lock pin design holds drum firmly in place.
- Ships boxed via UPS.
- For use with closed head 55 gallon steel drums.

OVERALL DIMENSIONS

w: 23.5"
h: 12.5"
d: 25.5"



Open head steel



Closed head steel



Open head poly

Open Head Drum Lifters

- For use with standard steel or poly drums with at least a 3/16" chime.
- Lifting arms are adjustable to work with most 55 or 30 gallon drums.
- Three-point contact of the lifting arms prevents or minimizes deformation of the drum and provides more secure lifting.
- Also works on closed head drums.

OVERALL DIMENSIONS

w: 29.5"
h: 5.5"
d: 29.5"



NOW AVAILABLE IN 304 STAINLESS STEEL



UDL



Universal Drum Lifter

- **Two models -**
UDL: carbon steel
UDL-SS: 304 stainless steel.
- Design allows for theloading of drums into overpacks.
- Works on open and closed head drums.
- For use with standard steel or poly drums with at least a 3/16" chime.
- Lifting arms are adjustable to work with most 55 or 30 gallon drums.
- Three-point contact of the lifting arms prevents or minimizes deformation of the drum and provides more secure lifting.

OVERALL DIMENSIONS

w: 29.5" 29.5"
h: 5.5" 5.5"
d: 29.5 29.5

Stainless



SDL-85



SDL-55



DRL-3

Salvage Drum Lifters

- Convenient for fast and gentle loading of steel drums into overpacks.
- Ships boxed via UPS.
- For use with closed head steel drums.

OVERALL DIMENSIONS

w: 9.875" 9.875"
h: 7.375" 7.375"
d: 19.63" 19.63"

Hoist Mount Drum Lifter

- Heavy duty annealed ductile iron.
- Curved foot on stabilizing arm prevents damage to drum.

OVERALL DIMENSIONS

w: 24.5"
h: 17.5"
d: 2.25"

| Part # | 240057 | 240038 | 240062 | 240063 | 240100 | 240102 | 440001 |
|----------|---------|-----------|-----------|-----------|-----------|-----------|-----------|
| Model # | EDL-5 | OHDL-3 | UDL | UDL-SS | SDL-55 | SDL-85 | DRL-3 |
| Capacity | 700 lbs | 1,000 lbs | 1,000 lbs | 1,000 lbs | 1,000 lbs | 1,000 lbs | 3,000 lbs |
| Weight | 17 lbs | 18 lbs | 20 lbs | 21 lbs | 20 lbs | 18 lbs | 37 lbs |



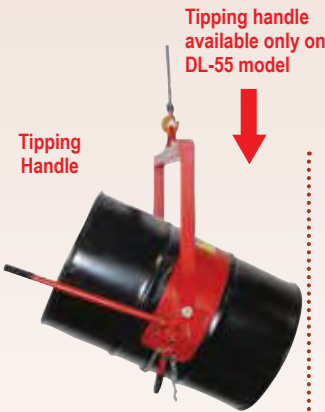
**Value Lifter
VDL-55**

Value Drum Lifter/Dispenser

- Easily lift drum and dispense contents.
- Economical, lower capacity VALUE product.
- Ships assembled and boxed.
- Locks in horizontal or vertical position.
- Handles 55 gallon steel drums.

OVERALL DIMENSIONS

w: 8.5"
h: 36"
d: 29"



DL-55

Standard Drum Lifter/Dispenser

- Higher capacity quality product.
- Ships assembled and boxed.
- Easily lift drum and dispense contents.
- Locks in horizontal or vertical position.
- Handles 55 gallon steel drums.
- Over 25 years of proven reliable quality.

OVERALL DIMENSIONS

w: 8.5"
h: 36"
d: 29"



**Value Dispenser
VDGL-55**

Value Drum Lifter/Dispenser

- Economical, lower capacity VALUE product.
- Ships assembled and boxed.
- Locking control chain to secure drum from turning.
- Geared design for controlled dumping.

OVERALL DIMENSIONS

w: 28.5"
h: 39"
d: 8"



DGL-55

Deluxe Gear Controlled Drum Lifter/Dispenser

- Higher capacity quality product.
- Geared design for controlled dumping from many heights and angles.
- Locking control chain to secure drum from turning.
- See options FBA, DMG-30A.
- Ships assembled and boxed.

OVERALL DIMENSIONS

w: 28.5"
h: 39"
d: 8"



**DLS Drum Sling
440009 (steel)**

Drum Sling

- Horizontally lift all "closed or open-head" drums.
- D-shaped lifting ring fits most overhead systems.
- Inverted ring fits web-lifting slings.

OVERALL DIMENSIONS

w: 2.25"
h: 18.75"
d: 2"

| Part # | 440009 | 278750 | 240032 | 278751 | 240034 | 270402 | 270040 |
|----------|--------------------|---|---|--|--|--------|---------|
| Model # | DLS-1000 | VDL-55 | DL-55 | VDGL-55 | DGL-55 | FBA | DMG-30A |
| Capacity | 1,000 lbs Steel | Full Drum - 700lbs Half Drum - 440 lbs | Full Drum - 800 lbs Half Drum - 500lbs | Full Drum - 700 lbs Half Drum - 440 lbs | Full Drum - 800 lbs Half Drum - 500 lbs | N/A | N/A |
| Weight | 5 lbs | 54 lbs | 45 lbs | 96 lbs | 95.5 lbs | 3 lbs | 24 lbs |



Option

- DMG-30A for use with 30 gallon drums, and FBA for use with fiber drums. For use with DL and DGL-55 models only.

WESCO® GATOR GRIP® DRUM GRAB



Gator Grip®

US PATENT NO. 6,619,905

Traditional devices require drum weight to maintain a positive lock. If a drum bounces during fork truck transportation, the drum may momentarily become weightless, which can cause the grip to snap open dropping the drum. The patented Auto Grip Lock automatically locks the jaws closed, even over rough terrain.



STEEL



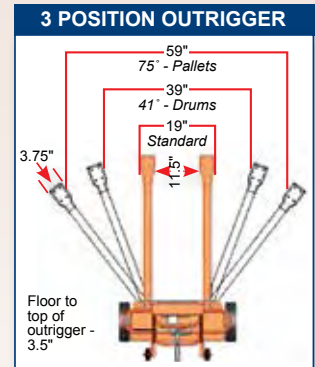
FIBER



POLY



The Wesco Gator Grip Fork Truck Mounted Drum Grab is designed for lifting and transporting 16, 30, 55 and 85 gallon steel, fiber and poly drums.



EGG-1



Fork Truck Carriage Mount - GG-C



Single Drum Fork Mount - GG-F1



Power Stack Mount - GGPS

- Single grip / drum attachment.
- Mounts only to Wesco fork stacker carriage.



EGG-2



Dual Drum Fork Mount - GG-F2

- Fork truck fork attachment.
- Picks up drums automatically, driver never leaves seat while lifting or releasing drums.
- Handles steel, fiber and poly drums.
- Single and dual grips available.
- Gator Grips® made by Wesco.
- Economically priced.
- Patented Gator Grip®.
- Heavy-duty carriage design.
- Single and dual grips available.
- Fork truck attachment.
- Patented Gator Grip®.



Gator Belt Option - GGBK

- Optional Gator Belt protects drum from wear. **NOT AVAILABLE ON EGG MODELS.**



Triple Truck/ Drum Attachment

PATENT NO. US9,139,214B2

- Purchase as two parts. **FOR COMPLETE DETAILS, SEE PAGE 58.**
- Adjustable outriggers from 11.5" I.D. to 59" I.D.

OVERALL DIMENSIONS

| | | | | | | |
|--------|--------|---------|-----|-----|--------|-----|
| w: 28" | 33.25" | 15.625" | 32" | 32" | 18" | 30" |
| h: 34" | 34" | 33.25" | 37" | 37" | 33.25" | 3" |
| d: 34" | 34" | 18" | 28" | 28" | 17" | 25" |

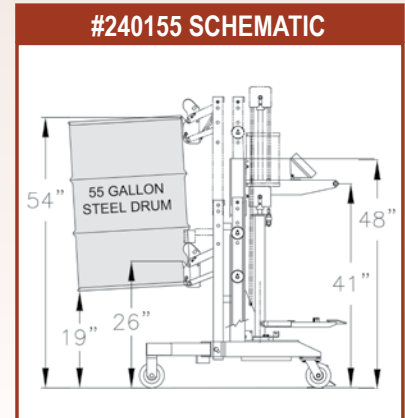
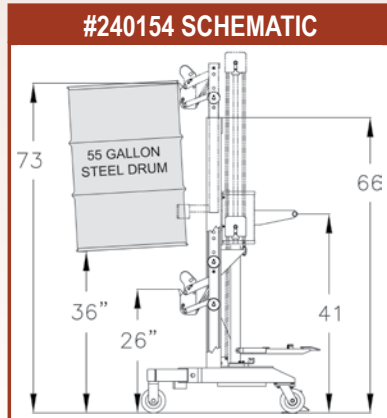
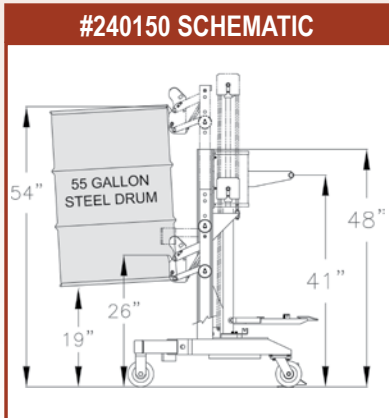
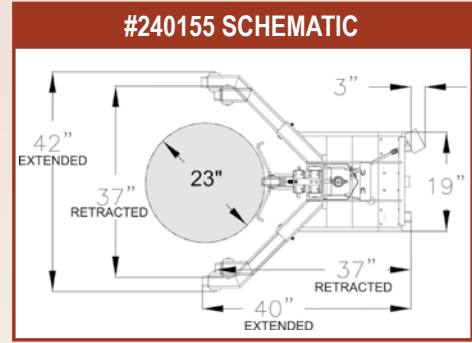
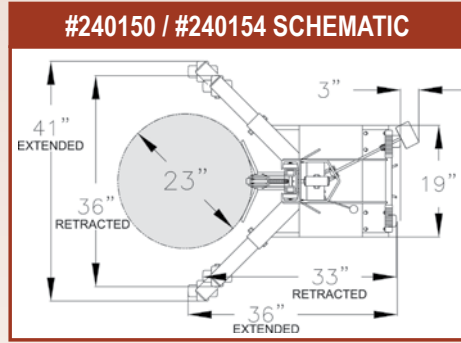
| | | | | | | | | |
|-------------------|-----------|------------|-----------|------------|------------|-----------|--------|------------------------------------|
| Part # | 240091 | 240092 | 240093 | 240096 | 240097 | 240103 | 240107 | 261160 & 261161 |
| Model # | EGG-1 | EGG-2 | GG-C | GG-F1 | GG-F2 | GGPS | GGBK | TTF+TTF-GG |
| Capacity Per Grip | 1,000 lbs | 1,000 lbs | 1,600 lbs | 1,600 lbs | 1,600 lbs | 1,600 lbs | N/A | 750 lbs |
| Fork Pocket ID | 5.5" x 2" | 7" x 2.25" | N/A | 7" x 2.25" | 7" x 2.25" | N/A | N/A | N/A |
| Weight | 125.5 lbs | 208 lbs | 96 lbs | 244 lbs | 340 lbs | 92 lbs | 4 lbs | #261160 / 357 lbs #261161 / 32 lbs |

Note: OSHA requires contacting the manufacturer of your fork truck for written approval for the use of any fork truck attachments.

DRUM HANDLING EQUIPMENT

**NOW FIVE MODELS
ALL WITH
U.S. PATENTED
GATOR GRIP®**

U.S. PATENT NO. 6,619,905



Wesco® Ergonomic Drum Handlers

- 1 Year Warranty, parts only.
- WESCO MADE hydraulic pump - all models.
- Handles most 30, 55 or 85 gallon drums - Steel, Fiber and Poly.
- Works with most drums with locking rings.
- Up/Down remote on power units.
- Power drive travel speed 120'/min.
- Lifts, transports, weighs and places drums on spill or standard pallets.
- (6) models: (5) steel and (1) 304 Stainless Steel.

- The (5) steel models are standard with the Gator Grip® Drum Clamp:
 - Spring-loaded jaws hold any 3/16" or higher drum rim.
 - Operator does not need to touch drums to operate.
 - Exclusive auto grip lock will not drop a drum if operated properly.
 - (2) wheels and (2) swivel casters, 5" x 2" phenolic, and floor lock.



Standard Model



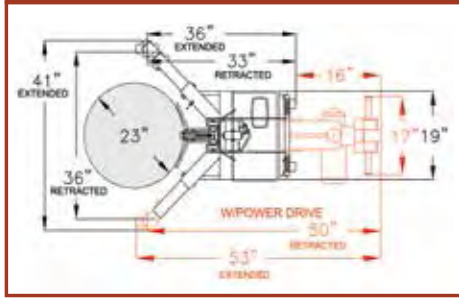
High Reach Model



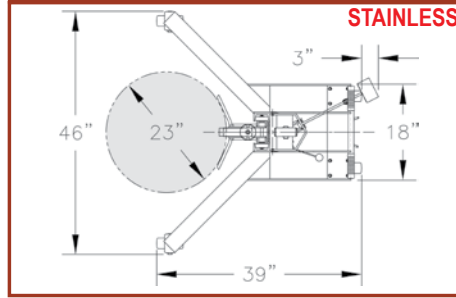
Scale Model - Accuracy $\pm 0.50\%$ of applied load or 1 lb., whichever is greater.

| Part # | 240150 | 240154 | 240155 |
|-------------------------|-------------|-------------|-------------|
| Model # | DM-1100 | DM-1100-HR | DM-1100-S |
| Description | Standard | High Reach | Scale |
| Rise/Stroke | 1" | 1" | 1" |
| Legs Retracted Capacity | 650 lbs | 650 lbs | 650 lbs |
| Legs Extended Capacity | 1100 lbs | 1100 lbs | 1100 lbs |
| Drum Clamp Type | Gator Grip® | Gator Grip® | Gator Grip® |
| Weight | 355.5 lbs | 376 lbs | 356 lbs |

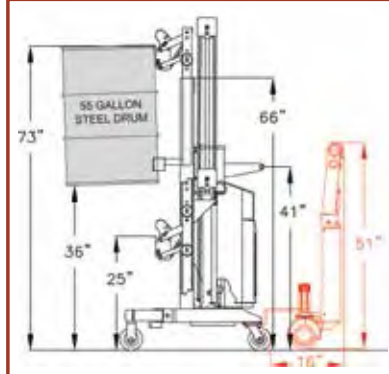
#240156 / #240157 SCHEMATIC



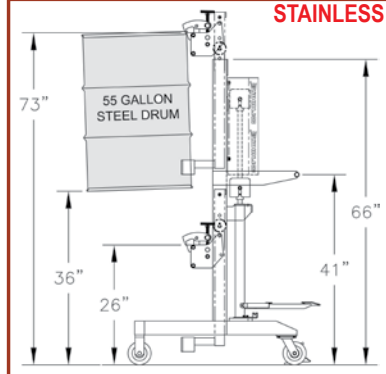
#240240 SCHEMATIC



#240156 / #240157 SCHEMATIC



#240240 SCHEMATIC



STEEL



FIBER



POLY



- The 304 Stainless Steel SSDH model features:
 - Wesco manufactured 304 Stainless Steel construction hydraulic jack.
 - 304 Stainless Steel automatic Grab that grips drum rim and can be manually locked down for lift and travel.
 - (2) 5" x 2" black phenolic wheels with 304 Stainless Steel roller bearings.
 - (2) 304 Stainless Steel NSF certified washdown swivel casters with 5" x 2" black phenolic wheels, 304 Stainless Steel bearings.

- Works with most drums with locking rings.
- Lift range: 26" - 73" at lifting clamp.
- Single position outriggers - non-telescoping
- 304 Stainless Steel construction includes hydraulic pump, floor lock, clamp, casters and bearings.
- Handles most 30, 55 and 85 gallon steel, poly and fiber drums.



Power Lift



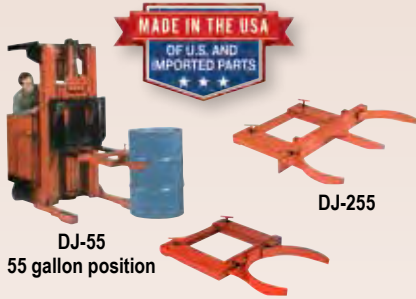
Power Lift & Drive



304 Stainless Steel Drum Handler

| Part # | 240156 | 240157 | 240240 |
|-------------------------|--------------------------|--------------------------|---------------------------------|
| Model # | DM-1100-PL | DM-1100-PLD | SSDH |
| Description | Power Lift | Power Lift & Drive | 304 Stainless High Reach |
| Rise/Stroke | 8.5" / sec. without load | 8.5" / sec. without load | 1" |
| Legs Retracted Capacity | 650 lbs | 650 lbs | N/A |
| Legs Extended Capacity | 1100 lbs | 1100 lbs | 800 lbs |
| Drum Clamp Type | Gator Grip® | Gator Grip® | Auto Grab Manual Knob Lock Down |
| Weight | 531 lbs | 691 lbs | 207 lbs |

WESCO DRUM GRABS/FORK TRUCK DRUM LIFTERS & TILTERS



MADE IN THE USA
OF U.S. AND IMPORTED PARTS

DJ-55
55 gallon position



DJ-255

Drum Grabs for 55 Gallon Steel Drums

- All welded steel construction for durability.
- Cost effective way to move 55 gallon steel drums.

OVERALL DIMENSIONS

| | | | |
|----|--------|--------|--------|
| w: | 28" | 28" | 46" |
| h: | 4.75" | 4.75" | 7.25" |
| d: | 42.75" | 42.75" | 43.25" |



MADE IN THE USA
OF U.S. AND IMPORTED PARTS

ADJ-53
30 gallon position

Adjustable Drum Grabs for 55 or 30 Gallon Steel Drums

- ADJ models feature all welded steel construction for durability.
- Handles 55 or 30 gallon steel drums.

OVERALL DIMENSIONS

| | | |
|----|--------|--------|
| w: | 28" | 28" |
| h: | 5.5" | 5.5" |
| d: | 41.75" | 41.75" |



SVG-55

SAVG-53

DVG-255

DAVG-253

Value Drum Grabs

- Economically priced lower capacity grabs.
- VG models: jaws not adjustable. Handles 55 gal. steel drums.
- AVG models: adjustable jaws. Handles 30 or 55 gal. steel drums.

OVERALL DIMENSIONS

| | | | | |
|----|-------|--------|--------|--------|
| w: | 28" | 46" | 28" | 51" |
| h: | 4.5" | 7.25" | 5.5" | 7.25" |
| d: | 42.5" | 43.25" | 41.75" | 42.75" |

| Part # | 240048 | 270051 | 240049 | 240047 | 270084 | 272400 | 272401 | 272408 | 272409 |
|----------------|----------------|----------------|----------------|-------------------------|-------------------------|----------------|----------------|-------------------------|-------------------------|
| Model # | DJ-55 | DJL-55 | DJ-255 | ADJ-53 | ADJL-53 | SVG-55 | DVG-255 | SAVG-53 | DAVG-253 |
| Capacity | 1,500 lbs/drum | 1,500 lbs/drum | 1,500 lbs/drum | 1,500 lbs/drum | 1,500 lbs/drum | 1,000 lbs/drum | 1,000 lbs/drum | 1,000 lbs/drum | 1,000 lbs/drum |
| Handles | one 55-gallon | one 55-gallon | two 55-gallon | one 55 or one 30 gallon | one 55 or one 30 gallon | one 55-gallon | two 55-gallon | one 55 or one 30 gallon | two 55 or two 30 gallon |
| ID Fork Pocket | 5.5" x 2" | 7" x 2.25" | 7" x 2.25" | 5.5" x 2" | 7" x 2.25" | 5.5" x 2" | 7" x 2.25" | 5.5" x 2" | 7" x 2.25" |
| Weight | 145 lbs | 150 lbs | 205 lbs | 135 lbs | 140 lbs | 125 lbs | 233 lbs | 128 lbs | 194 lbs |



240039

MADE IN THE USA
OF U.S. AND IMPORTED PARTS

Fork Truck Drum Lifter & Tilter DGF-55

- Fork truck driver does not have to leave truck to dispense.
- Geared design allows controlled dumping and dispensing.
- Does not require any modifications to the fork truck.
- Ships assembled and boxed.
- Has 800 lbs capacity for a full drum, 500 lbs for a half full drum.
- Not for use with poly drums.
- Fork pocket dimensions (ID) 6.625"W x 2.625"H.
- Fork pocket dimensions center to center 31".
- Length of Chain 144".

OVERALL DIMENSIONS

| | |
|----|-------|
| w: | 38" |
| h: | 20.5" |
| d: | 32.5" |



MADE IN THE USA
OF U.S. AND IMPORTED PARTS

Model PJ for most 30 and 55 gallon drums

240148

Wesco Polyjaws

- Fork truck adjustable attachment for handling most 55 and 30 gallon poly drums.
- Fork truck driver does not have to leave cab to engage or disengage drum.
- Works on poly drums that have at least a 3/16" top lip (chime).
- Substantially lower priced than any other poly drum lifter on the market.
- Ships knocked down/ boxed via UPS.
- Fork pocket dimensions (ID) 5.375"W x 1.5"H.

OVERALL DIMENSIONS

| | |
|----|----------------|
| w: | 25.5" -29.375" |
| h: | 6.28" |
| d: | 21.38" |



VFDLT-1400

Value Fork Truck Drum Lifter & Tilter

- Economically priced lower capacity model.
- Two models, 700 & 1,400 lb capacities.
- Operator does not have to leave seat to tilt drum.
- Fork pocket dimensions (ID) 7" W x 2.5"H.
- Fork pocket dimensions center to center 24.4".
- Length of Chain 120".

OVERALL DIMENSIONS

| | | |
|----|--------|--------|
| w: | 39" | 39" |
| h: | 19" | 19" |
| d: | 26.75" | 30.38" |

| Part # | 240039 | 270240 | 270402 | 240148 | 272402 | 272403 |
|----------|--|--|--|-----------|--|--|
| Model # | DGF-55 | DGF-30A | FBA | PJ | VFDLT-700 | VFDLT-1400 |
| | 55 GAL. DRUM UNIT | 30 GAL. DRUM ADAPTER | FIBER DRUM ADAPTER | | | |
| Capacity | Half Drum - 500 lbs Full Drum - 800 lbs | Half Drum - 500 lbs Full Drum - 800 lbs | Half Drum - 500 lbs Full Drum - 800 lbs | 1,000 lbs | Half Drum - 440 lbs Full Drum - 700 lbs | Half Drum - 750 lbs Full Drum - 1,400 lbs |
| Weight | 159 lbs | 24 lbs | 3 lbs | 44 lbs | 166 lbs | 214 lbs |

Note: OSHA requires contacting the manufacturer of your fork truck for written approval for the use of any fork truck attachments.

Zinc Die Cast Faucets

- Zinc die cast alloy.
- Easy-to-use self-closing design.
- Can be padlocked in closed position.
- .75" NPT connection.
- Viton gasket.



Part# 272083 - .53 lbs.
 With flame arrestor.
FM APPROVED for non-viscous liquids.



Part# 272080 - .53 lbs.
 No flame arrestor.
FM APPROVED for viscous liquids only.

Heavy Duty 2" Brass Gate Valve

- Fast, self-closing PTFE blade.
- 2" NPSM connection designed to work in both a straight or tapered thread.
- 6.80 lbs.



Part# 272034
FM APPROVED for use with viscous non-corrosive fluids heavier than 30 SAE.

Heavy Duty 304 Stainless Steel Faucet

- Adjustable shank designed to easily adjust to proper drain position after installing in drum.
- .75" NPT connection.
- PTFE gasket.
- 1.50 lbs.



Part# 272038
 Internal flame arrestor.
FM APPROVED for use with oils (under 30 SAE) and non flammables, compatible with stainless steel.

Heavy Duty Brass Faucets

- Easy-to-use self-closing design.
- .75" NPT connection.
- PTFE gasket.



Part# 272037 - 1.40 lbs.
 Adjustable shank designed to easily adjust to proper drain position after installing in drum.
 Internal flame arrestor.
FM APPROVED for use with oils (under 30 SAE) and non-corrosive flammables.



Part# 272081 - 1.43 lbs.
 Rigid shank design.
 External flame arrestor.
FM APPROVED for use with oils (under 30 SAE) and non-corrosive flammables.

Plastic Faucets

- 2" NPT polyethylene drum faucet produced from **FDA approved material**. Includes 3 EPDM sealing gaskets: thin, medium, thick. Good for viscous non-corrosive fluids.
- .83 lbs.



Part# 272176 - 2"

- Deluxe 2" NPT polyethylene drum faucet. Produced from **FDA approved material**.

Deluxe features:

- Level gauge port
- Pail hook
- Lockable handle
- 3 EPDM gaskets: thin, medium, thick.

- 1 lb.



Part# 272179 with level gauge



Part# 272179 - 2"

- .75" Polyethylene Faucet for use with non-flammable, non-corrosive thin liquids not suitable for heavy oils.

- .10 lbs.



Part# 272177 - .75"

Wesco recommends that if a question arises, the user contact the supplier of chemicals to determine if these faucets are compatible with those chemicals. Wesco is unable to offer specific recommendations for chemical usage.

Drum Vent

- Automatically relieves pressure at 5 PSI.
- Maximum flow of 220 CFM at 20 PSI.
- Flame arrestor prevents sparks and flame from igniting drum contents.
- Fits 2" bung hole in steel and plastic drums.
- 1 lb.



Part# 272030
 For drums in horizontal (pouring) position. Manual vacuum relief by lifting and rotating valve stem.
FM APPROVED.

Gauges

- Economical way to gauge drum contents.
- Heavy gauge glass and plated steel construction.
- Accepts standard .75" NPT faucet.
- Buna-N seals; .75" NPT connection, 22" height (with supplied fitting).



Part# 272005 - 2.16 lbs.
 Basic gauge with fitting.



Part# 272006 - 4 lbs.
 Basic gauge with fitting and 272080 faucet.

Part# 272041 - 5 lbs.
 Basic gauge with fitting and 272083 faucet.

Part# 272115 -
 Replacement glass for gauge.

Drum Funnel with Lockable Cover

- Red polyethylene 4-quart funnel with 2" NPS fitting to screw into bung opening.
- 9.625" opening.
- Equipped with black polyethylene lockable cover and removable strainer screen.
- 1.1 lbs.



Part #272140 Model #DF



Vertical Polyethylene Pop-up Gauge

- Pops up to indicate drum is almost full.
- Fits standard 3/4" - 14 NPS bung holes.
- Part #272216, Model # PUG-5 - 5" long.
- Part #272217, Model # PUG-11 - 11" long.
- Closure cap.



Ground and Bond Wires

- A wide variety of designs for grounding and bonding applications.



Part# 272032 - .64 lbs
Deluxe Ground Wire: For connection between drum and true ground. Three-foot-long heavy duty insulated wire rope with "C" clamp on one end and alligator clip on the other.



Part# 272031 - .53 lbs
All Purpose Bond Wire: For bonding drums to each other, to containers being filled, and to racks. Three-foot-long heavy duty wire rope with "C" clamp on one end and alligator clip on the other.



Part# 272033 - .37 lbs
Standard Bond Wire: For bonding drums to each other, to containers being filled, and to racks. Three-foot-long heavy duty wire rope with alligator clips on both ends.

OSHA requires that all drums and containers storing and receiving fluids with a FLASH POINT BELOW 140°F be grounded and bonded. Single drums must be grounded, with containers being dispensed into bonded to the drum. Multiple drums must be bonded to each other with one drum or the rack grounded. Wesco Ground and Bond wires allow meeting these important safety requirements.

Deheaders

- Open any size and gauge steel drum quickly and easily, allowing drum recycling without the risk of fire from cutting with a torch.
- Sharp-edged hardened steel replaceable blade.
- Comfortable plastic hand grip.



Part# 272303
Vertical slide deheader. (6.2 lbs.)
Part# 272304 Replacement blade. (1 lb.)



Part# 272018
Most popular deheader. (7 lbs.)

Part# 272012
Replacement blade. (.73 lbs.)



Part# 440013 Model DDH-1.
Heavy duty deheader. (9 lbs.)

Part# 440014 Model DDH-P202
Replacement blade. (.60 lbs.)

Non-Sparking Deheader

- 100% non-sparking deheader.
- Sharp-edged hardened non ferrous alloy replaceable blade.
- Comfortable plastic hand grip.



Part# 272301
Non-sparking deheader.
100% non-sparking. (8 lbs.)

Part# 272302
Replacement blade. (.35 lbs.)

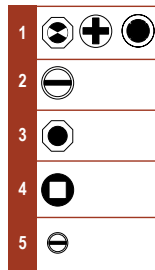
Universal Drum Plug Wrench

- Heavy duty cast iron construction.
- Opens most plugs and bung nuts, male & female, steel & plastic.
- Iron alloy will not chip or bend in normal use.
- Protects knuckles.



Part# 272017
(4 lbs.)
Handles bung patterns
1, 2, 3, & 4.

Bung Patterns



Non-Sparking Drum Plug Wrenches

- Bronze alloy.
- Stronger than aluminum.
- Offset handle design reduces user stress and minimizes knuckle injury.



Part# 272016
(2 lbs.)
Our most popular wrench.
Handles bung patterns
1, 2, 3, & 5.



Part# 272178
(.53 lbs.)
Aluminum
Non-Sparking
Drum Wrench.
Handles bung patterns
1 & 3.



Part# 272086
(3 lbs.)
Deluxe model. Built-in 1.25" wrench
for tightening faucets into
drums. Handles bung patterns
1, 2, 3, & 5.

| Part # | Description | Weight - lbs | Overall Width | Overall Height | Overall Length |
|--------|---|--------------|---------------|----------------|----------------|
| 272303 | Vertical slide deheader | 6.20 | 5.75" | 5.875" | 17.75" |
| 272304 | Replacement blade for Part# 272303 | 1.00 | 2.75" | 2.75" | .1875" |
| 272018 | Manual drum deheader | 7.00 | 6" | 4.25" | 20.68" |
| 272012 | Replacement blade for Part# 272018 deheader | .73 | 2.75" | 2.50" | .1875" |
| 440013 | Zinc plated heavy duty deheader | 9.00 | 6.375" | 4.625" | 23.625" |
| 440014 | Replacement blade for Part# 440013 deheader | .60 | 3.1875" | 2.875" | .1875" |
| 272301 | Non-sparking deheader | 8.00 | 6.625" | 4.875" | 19" |
| 272302 | Replacement blade for Part# 272301 deheader | .35 | 2.875" | 2.375" | .1875" |
| 272017 | Universal cast iron drum wrench | 4.00 | 3.625" | 3.50" | 13.125" |
| 272016 | Standard non-sparking drum wrench | 2.00 | 2.50" | 3.25" | 12" |
| 272178 | Non-sparking aluminum wrench | .53 | 2.25" | 1.75" | 10.25" |
| 272086 | Deluxe non-sparking drum wrench | 3.00 | 3.625" | 3.125" | 11.50" |

Application Information (For Rotary and Lever Pumps): WESCO iron drum pumps have wetted parts fabricated from cast iron, steel, phenolic (270021 & 272212 only), and neoprene (272210 only) materials. These pumps were designed primarily for the transfer of fuel oil products. It should be noted that these pumps can only be used for chemicals which are compatible with cast iron, steel, neoprene and phenolic.

We recommend that if a question arises, the user contact the supplier of chemicals to determine if these pumps are compatible with those chemicals. WESCO is unable to offer specific recommendations for chemical usage.

Rotary Pump

- 47" 3 piece plated suction tube (assembled).
- Durable phenolic veins.
- Self-priming.
- Supplied with 48" PVC discharge tube.
- UPS shippable.
- Rugged cast iron construction.
- ALWAYS USE A GROUND WIRE.



Part# 272212
Deluxe Combo (consists of #270021 Rotary Pump and #272211 Drip Pan) (18 lbs.)

Part# 270021
Cast Iron Rotary Drum Pump ONLY (12.5 lbs.)

Non-Sparking Rotary Pump

- Rugged aluminum construction.
- 47" 3 piece steel-plated suction tube (assembled).
- Durable phenolic veins.
- Self-priming.
- Supplied with 48" PVC discharge tube.
- UPS shippable.
- ALWAYS USE A GROUND WIRE.



Aluminum Pump only.

Part# 440017
Aluminum, non-sparking for medium viscosity petroleum-based products. Does not include drip pan. (17 lbs.)



Part# 272210
(18 lbs.)

Lever Pump/ Drip Pan

- For installation on pumps with metal suction tube.
- Cast iron and steel construction.
- Hinged cover and bung/suction adapter.
- UPS shippable.
- ALWAYS USE A GROUND WIRE.



Part# 272211
Drip pan. (6 lbs.)



Part# 272397
(13 lbs.)

304 Stainless Steel Rotary Pump

- Made from corrosion resistant materials of construction.
- **304 stainless steel** pump body.
- **304 stainless steel** dispensing spout.
- **304 stainless steel** 3 piece suction tube.
- PTFE vanes.
- UPS shippable.
- Compatible fluids: solvents, oils, mild corrosives.
- Min./ Max. temperature rating: 40° Fahrenheit / 140° Fahrenheit.
- 2" NPT Bung Adapter fits 15, 30 and 55 gallon drums.
- ALWAYS USE A GROUND WIRE.

| Part # | Description | Weight - lbs | Overall Width | Overall Height | Overall Length |
|--------|--|--------------|---------------|----------------|----------------|
| 270021 | Cast iron pump | 12.50 | 9.4375" | 56.25" | 8.75" |
| 272212 | Deluxe combo with drip pan | 18.00 | 9.4375" | 56.25" | 14" |
| 440017 | Non-sparking rotary pump | 17.00 | 9.4375" | 56.25" | 9.50" |
| 272210 | Lever pump with drip pan | 18.00 | 15.875" | 60.343" | 14" |
| 272211 | Drip pan | 6.00 | 6.3125" | 6.00" | 14" |
| 272397 | 304 stainless steel rotary pump | 13.00 | 9.125" | 53.125" | 8.75" |

A 5 Year Guarantee Against Weld Failure. A Wesco Quality Exclusive.

- Industrial strength heavy duty 3/4" structural steel frame construction.
- Ribbed cross braces for extra strength.
- All joints double welded.
- 8" deep by 14" wide nose is 7 gauge thick plate with machined beveled edge and radiused corners for safety.
- Zinc plated Auto-Loc® axles assure smooth wheel rotation.
- All frames handle 8" or 10" wheels.
- Order by part # or model #.

Example:

Part # or Model #
210009 or 126-R

Wesco Exclusive: Ribbed Cross Straps for Additional Strength



126-Z

Series 126

- Single pin handle curved back design allows one hand control.
- Ideal for boxes, kegs, and packages.
- Three horizontal cross straps and full height vertical center strap offer support for small packages.

OVERALL DIMENSIONS

w: 22.5"
h: 46"
d: 16.5" w/8" wheel 18.5" w/10" wheel



126D-Z8

Series 126D

- Single "D" shaped handle allows multiple hand positions for one hand control.
- Ideal for boxes, kegs, and packages.
- Three horizontal cross straps and full height vertical center strap provide support for small packages.

OVERALL DIMENSIONS

w: 22.5"
h: 46"
d: 16.5" w/8" wheel 18.5" w/10" wheel



136-Z

Series 136

- Two handle tapered body design.
- Three heavy duty horizontal cross straps for added strength.
- Full height center strap provides support for small packages.

OVERALL DIMENSIONS

w: 22.5"
h: 46"
d: 16.5" w/8" wheel 18.5" w/10" wheel

| | | | | | | | | | | | | | | | | | | |
|------------|---------|---------|---------|---------|---------|---------|---------|---------|---------|---------|---------|---------|---------|---------|---------|---------|---------|---------|
| Part # | 210009 | 210010 | 210011 | 210380 | 210012 | 210370 | 210016 | 210017 | 210018 | 210381 | 210019 | 210371 | 210024 | 210025 | 210026 | 210382 | 210027 | 210372 |
| Model # | 126-R | 126-Z8 | 126-Z | 126-Z2 | 126-P | 126-PE | 126D-R | 126D-Z8 | 126D-Z | 126D-Z2 | 126D-P | 126D-PE | 136-R | 136-Z8 | 136-Z | 136-Z2 | 136-P | 136-PE |
| Capacity | 800 lbs | 600 lbs | 700 lbs | 800 lbs | 700 lbs | 700 lbs | 800 lbs | 600 lbs | 700 lbs | 800 lbs | 700 lbs | 700 lbs | 800 lbs | 600 lbs | 700 lbs | 800 lbs | 700 lbs | 700 lbs |
| Wheel Type | R | Z8 | Z | Z2 | P | PE | R | Z8 | Z | Z2 | P | PE | R | Z8 | Z | Z2 | P | PE |
| Weight | 32 lbs | 38 lbs | 40 lbs | 40 lbs | 37 lbs | 34 lbs | 33 lbs | 39 lbs | 41 lbs | 41 lbs | 38 lbs | 35 lbs | 33 lbs | 39 lbs | 41 lbs | 40 lbs | 39 lbs | 34 lbs |

Additional choices not listed above.

| | | | | | | | | |
|---|--|--|--|--|---|--|--|---|
| R Aluminum 8" x 1.625" Moldon Rubber | Z8 Poly Offset 8" x 2" Solid Rubber | Z Steel Offset 10" x 2.75" Semi-Pneumatic | Z2 Poly Offset 10" x 2.75" Solid Rubber | P Steel Offset 10" x 3.5" Pneumatic | PE Steel Offset 10" x 3.5" Pneumatic | BC-8 Poly Hub 8" x 2.165" Balloon Cushion | BC-10 Poly Hub 10" x 2.165" Balloon Cushion | CF (Flat Free) Steel Offset 10" x 3" Microcellular |
| | | | | | | | | |
| 108545 | 150697 | 150589 | 150698 | 050602 | 151551 | 150229 | 150228 | 053446 |

HAND TRUCKS

WESCO® 100 SERIES INDUSTRIAL HAND TRUCKS

A 5 Year Guarantee Against Weld Failure. A Wesco Quality Exclusive.
Wesco Exclusive: Ribbed Cross Straps for Additional Strength



146-R

Series 146

- Two handle extra high back curved design.
- Ideal for high loads.
- Four horizontal cross straps and vertical center strap provide support for small packages.

OVERALL DIMENSIONS

w: 22.5"
 h: 51"
 d: 16.5" w/8" wheel 18.5" w/10" wheel



146D-Z8

Series 146D

- Single "D" shaped handle combined with high back curved design.
- Easier one hand control of stacked goods.
- Four horizontal cross straps and vertical center strap provide support for small packages.

OVERALL DIMENSIONS

w: 22.5"
 h: 51"
 d: 16.5" w/8" wheel 18.5" w/10" wheel



156-Z
Steel



156-PP8-SS
304 Stainless Steel

Series 156

- Swept back continuous handle with curved back design.
- Versatile frame that allows one or two hand control.
- Four horizontal cross straps and vertical center strap provide support for small packages.
- **Stainless** model has 8" x 2" polyurethane tread on polypropylene hub, non-marking wheels with 440 stainless sealed 3/4" precision ball bearing

OVERALL DIMENSIONS

w: 22.5"
 h: 48"
 d: 16.5" w/8" wheel 18.5" w/10" wheel

304
Stainless

| Part # | 210032 | 210033 | 210034 | 210383 | 210035 | 210373 | 210038 | 270056 | 210039 | 210384 | 210040 | 210374 | 210044 | 210045 | 210046 | 210385 | 210047 | 210375 | 210351 |
|------------|---------|---------|---------|---------|---------|---------|---------|---------|---------|---------|---------|---------|---------|---------|---------|---------|---------|---------|------------|
| Model # | 146-R | 146-Z8 | 146-Z | 146-Z2 | 146-P | 146-PE | 146D-R | 146D-Z8 | 146D-Z | 146D-Z2 | 146D-P | 146D-PE | 156-R | 156-Z8 | 156-Z | 156-Z2 | 156-P | 156-PE | 156-PP8-SS |
| Capacity | 800 lbs | 600 lbs | 700 lbs | 800 lbs | 700 lbs | 700 lbs | 800 lbs | 600 lbs | 700 lbs | 800 lbs | 700 lbs | 700 lbs | 800 lbs | 600 lbs | 700 lbs | 800 lbs | 700 lbs | 700 lbs | 600 lbs |
| Wheel Type | R | Z8 | Z | Z2 | P | PE | R | Z8 | Z | Z2 | P | PE | R | Z8 | Z | Z2 | P | PE | PP8 |
| Weight | 34 lbs | 40 lbs | 42 lbs | 42 lbs | 39 lbs | 36 lbs | 35 lbs | 41 lbs | 43 lbs | 42 lbs | 41 lbs | 36 lbs | 34 lbs | 37 lbs | 39 lbs | 40 lbs | 36 lbs | 34 lbs | 33 lbs |

100 Series Industrial Hand Truck Options



Nose Extension

- 24" long, 10.5" wide.
- Steel construction.



Stairclimber

- Continuous belt.
- Replaceable parts.
- Only available on 10" wheeled models.
- Factory installed only.



Cargo Push-Off Kit

- Fits any Wesco 100 Series or Greenline Series steel hand trucks.
- Foot operated pedal pushes cargo off noseplate.
- Easy installation - no drilling required.

| Part # | 210099 | 054201 | 270412 | 210079 |
|---------|---|--|---|-----------------------------------|
| Model # | FN-24K | FN-24F | CBSCF | |
| | 24" Nose Extension - Field Installation | 24" Nose Extension - Factory Installed | Continuous belt stairclimber Must be Factory Installed | Box Push Off - Field Installation |
| Weight | 4 lbs | 4 lbs | 7 lbs | 6 lbs |

FACTORY INSTALLED add part # or model # to end of industrial hand truck part or model #.
EXAMPLE: 156R with 24" nose extension Part # 210044,054201 or Model #156-R-FN-24F.

| PP8 8" x 2" Polyurethane Tread Polypropylene Hub 3/4" Ball Bearing | R Aluminum 8" x 1.625" | Z8 Poly Offset 8" x 2" | Z Steel Offset 10" x 2.75" | Z2 Poly Offset 10" x 2.75" | P Steel Offset 10" x 3.5" | PE Steel Offset 10" x 3.5" | BC-8 Poly Hub 8" x 2.165" | BC-10 Poly Hub 10" x 2.165" | CF (Flat Free) Steel Offset 10" x 3" |
|--|------------------------------|------------------------------|----------------------------------|----------------------------------|---------------------------------|----------------------------------|---------------------------------|-----------------------------------|--|
| | Moldon Rubber | Solid Rubber | Semi-Pneumatic | Solid Rubber | Pneumatic | Pneumatic | Balloon Cushion | Balloon Cushion | Microcellular |
| | | | | | | | | | |
| 053733 | 108545 | 150697 | 150589 | 150698 | 050602 | 151551 | 150229 | 150228 | 053446 |

Additional choices not listed above.



SINCE 1948



MADE IN THE USA
OF U.S. AND IMPORTED PARTS

156-S23-Z2

2-in-1 Deluxe Industrial Steel Hand Trucks*

- **5 Year Weld Guarantee.**
- Converts easily between 2 and 4 wheel truck.
- Handle locks in horizontal and vertical positions.
- Two lengthwise straps and two cross braces prevent package fall-through.
- Caster: 3.5" TPR gray, non-marking, round tread, thermoplastic rubber wheel resists almost every type of floor debris including metal shavings chips, sand and gravel.
- Heavy duty 3/4" Dia. structural steel frame. All joints double welded, both sides.
- Bed size: 14" x 44.5".
- Noseplate 14"W x 8"D.
- Less energy required to start moving load and keep it moving.
- Smooth, quiet ride of a soft-tread wheel, durable as a hard-tread wheel.

OVERALL DIMENSIONS

w: 20.5"
h: 53"
d: 19"

Curb Ramp

- Lightweight, portable ramp allows for easy movement up and down curbs. **600 lb capacity.**



OVERALL DIMENSIONS

w: 21.5"
h: 6"
d: 23.5"

| | |
|-------------|----------------|
| Part # | 150800 |
| Description | Yellow generic |
| Weight | 7 lbs |



656-21-Z

Greenline Economical 2-in-1

- Converts easily between 2 and 4 wheel truck.
- Double welded tubular construction.
- Lengthwise strap and cross braces prevent package fall-through.
- Solid rubber swivel casters.
- Bed size 13" x 36".
- 14" W x 7" D noseplate.

OVERALL DIMENSIONS

| | | | |
|--------|-----|-----|-----|
| w: 20" | 20" | 20" | 20" |
| h: 48" | 48" | 48" | 48" |
| d: 15" | 16" | 16" | 16" |



E-CON

Greenline E-Con 2-in-1 Truck

- Heavy duty tubular steel construction.
- 18"w. x 8.5"d. noseplate.
- Lever activated position conversion.
- Wheel guards.
- Bed size - 13.75" x 48".
- Wheel: 10" x 2.75" solid rubber.
- Swivel caster: 5" x 1.375" moldon polyurethane.

OVERALL DIMENSIONS

w: 19.5"
h: 58"
d: 18"

| Part # | 210138 | 210140 | 210139 | 210321 | 210324 | 210326 | 210325 | 210639 |
|------------|-----------|------------|-----------|-----------|----------|-----------|----------|--------------------------|
| Model # | 156-S23-Z | 156-S23-Z2 | 156-S23-P | 656-21-Z8 | 656-21-Z | 656-21-Z2 | 656-21PE | E-CON |
| Capacity | 700 lbs | 800 lbs | 700 lbs | 500 lbs | 500 lbs | 500 lbs | 500 lbs | 700 lbs |
| 2 wheel | 1,000 lbs | 1,000 lbs | 1,000 lbs | 600 lbs | 600 lbs | 600 lbs | 600 lbs | 800 lbs |
| 4 wheel | | | | | | | | |
| Caster | 3.5" | 3.5" | 3.5" | 5" | 5" | 5" | 5" | 5" |
| Wheel Type | Z | Z2 | P | Z8 | Z | Z2 | PE | 10" x 2.75" Solid Rubber |
| Weight | 61 lbs | 58 lbs | 55 lbs | 37 lbs | 46 lbs | 44 lbs | 38 lbs | 74 lbs |

| Z8 | Z | Z2 | PE | P |
|----------------------------------|---|--------------------------------------|-----------------------------------|-----------------------------------|
| Poly Offset 8" x 2" Solid Rubber | Steel Offset 10" x 2.75" Semi-Pneumatic | Poly Offset 10" x 2.75" Solid Rubber | Steel Offset 10" x 3.5" Pneumatic | Steel Offset 10" x 3.5" Pneumatic |
| | | | | |
| 150697 | 150589 | 150698 | 151551 | 050602 |



*** For Aluminum Convertible Trucks, see pages 34-36.**

WESCO GREENLINE STANDARD DUTY STEEL HAND TRUCKS

- Economically priced.
- Zinc plated Auto-Loc® axles assure smooth wheel rotation.
- All frames can accommodate an 8" or 10" wheel.

- 7" deep x 14" wide 7 gauge beveled nose plate with radiused corners for safety.
- 1" OD x 14 gauge wall tubular frame.

- Order by part # or model #.

Example:

Part # or Model #
210461 626-Q

Series 626

- Pin handle with curved back design.
- Welded frame construction.
- 1" O.D. tube.

OVERALL DIMENSIONS

w: 21.75"
h: 45.5"
d: 17"



626-Z8

Series 626D

- Single loop handle with curved back design.
- Welded frame construction.
- 1" O.D. tube.

OVERALL DIMENSIONS

w: 21.75"
h: 50.5"
d: 17"



626D-R

Series 636

- Dual handle curved back design.
- Welded frame construction.
- 1" O.D. tube.

OVERALL DIMENSIONS

w: 21.75"
h: 48.5"
d: 17"



636-Z8

| Part # | 210466 | 210330 | 210361 | 210456 | 210356 | 210467 | 210331 | 210362 | 210457 | 210357 | 210468 | 210332 | 210363 | 210458 | 210358 |
|------------|----------|----------|---------|----------|---------|---------|---------|---------|---------|----------|---------|---------|----------|---------|----------|
| Model # | 626-R | 626-Z8 | 626-Z2 | 626-P | 626-PE | 626D-R | 626D-Z8 | 626D-Z2 | 626D-P | 626D-PE | 636-R | 636-Z8 | 636-Z2 | 636-P | 636-PE |
| Capacity | 600 lbs | 500 lbs | 600 lbs | 600 lbs | 600 lbs | 600 lbs | 500 lbs | 600 lbs | 600 lbs | 600 lbs | 600 lbs | 500 lbs | 600 lbs | 600 lbs | 600 lbs |
| Wheel Type | R | Z8 | Z2 | P | PE | R | Z8 | Z2 | P | PE | R | Z8 | Z2 | P | PE |
| Weight | 25.5 lbs | 25.5 lbs | 31 lbs | 27.5 lbs | 26 lbs | 27 lbs | 27 lbs | 36 lbs | 29 lbs | 27.5 lbs | 26 lbs | 26 lbs | 31.5 lbs | 28 lbs | 26.5 lbs |

Series 646

- Dual pin handle with curved back design.
- Welded frame construction.
- 1" O.D. tube.

OVERALL DIMENSIONS

w: 21.75"
h: 50.5"
d: 20"



646-Z2

Series 656

- Continuous handle with curved back design.
- Welded frame construction.
- 1" O.D. tube.

OVERALL DIMENSIONS

w: 21.75"
h: 49"
d: 19"



656-P

Folding Nose Extension Option

- To order field installation simply note part # or model # on P.O.
- To order factory installed option (626D-R with 24" nose extension) add option part # or model to the end of the truck part # or model.



Example:

Part # 210467,054218
or
Model + Option
626D-R-FNG-24F

| Part # | 210469 | 210333 | 210364 | 210459 | 210359 | 210470 | 210334 | 210365 | 210460 | 210360 | 210249 | 054218 |
|------------|---------|---------|----------|---------|----------|----------|----------|---------|----------|---------|--------------------------------|-------------------|
| Model # | 646-R | 646-Z8 | 646-Z2 | 646-P | 646-PE | 656-R | 656-Z8 | 656-Z2 | 656-P | 656-PE | FNG-24K | FNG-24F |
| Capacity | 600 lbs | 500 lbs | 600 lbs | 600 lbs | 600 lbs | 600 lbs | 500 lbs | 600 lbs | 600 lbs | 600 lbs | Capacity rating same as truck. | |
| Wheel Type | R | Z8 | Z2 | P | PE | R | Z8 | Z2 | P | PE | Field Installation | Factory Installed |
| Weight | 27 lbs | 27 lbs | 32.5 lbs | 29 lbs | 27.5 lbs | 27.5 lbs | 27.5 lbs | 33 lbs | 29.5 lbs | 28 lbs | 4 lbs | 4 lbs |

Additional choices not listed above.

| R | Z8 | Z2 | P | PE | BC-8 | BC-10 | CF (Flat Free) | Z |
|-------------------------------------|----------------------------------|--------------------------------------|-----------------------------------|-----------------------------------|--------------------------------------|---------------------------------------|-------------------------------------|---|
| Aluminium 8" x 1.625" Moldon Rubber | Poly Offset 8" x 2" Solid Rubber | Poly Offset 10" x 2.75" Solid Rubber | Steel Offset 10" x 3.5" Pneumatic | Steel Offset 10" x 3.5" Pneumatic | Poly Hub 8" x 2.165" Balloon Cushion | Poly Hub 10" x 2.165" Balloon Cushion | Steel Offset 10" x 3" Microcellular | Steel Offset 10" x 2.75" Semi-Pneumatic |
| | | | | | | | | |
| 108545 | 150697 | 150698 | 050602 | 151551 | 150229 | 150228 | 053446 | 150589 |

*A 5 Year Guarantee Against Weld Failure.
A Wesco Quality Exclusive on All Wesco Made Hand Trucks.*

■ Structural steel frame construction.

■ Ribbed x-braces for extra strength.

■ All joints double welded.

The Touch-N-Tilt® Ergonomic Hand Truck

Press the pedal and the effort to break over the load is reduced by as much as 66%. Minimizes physical demands of the workplace.



TNT56-Z

Push a pedal and your load feels lighter – 66% lighter

Touch-N-Tilt®

- Simple and affordable.
- Up to 700 lbs. capacity.
- Available with 8" or 10" wheels.
- Same strong frames used on Wesco 100 series industrial truck.
- Noseplate 7 GA. 8" D x 14" W.

OVERALL DIMENSIONS

| | | |
|-----------|--------|--------|
| w: 20" | 22" | 22" |
| h: 50" | 50" | 50" |
| d: 19.75" | 19.75" | 19.75" |



156DH-Z

156DH-PP8-SS
304 STAINLESS STEEL

156DH Drum/Hand Truck

- Utility of a hand truck & drum truck.
- Chime hook works with 55 and 30 gallon steel drums.
- Curved frame holds 5-gallon pails and kegs.
- With noseplate resting flat on floor, 18" to center of lowered chime hook.
- Noseplate 7.8" D x 14" W.
- Stainless model has 8" x 2" polyurethane tread on polypropylene hub, non-marking wheels with 440 stainless sealed 3/4" precision ball bearing.

OVERALL DIMENSIONS

| | | |
|----------|-------|-------|
| w: 20.5" | 20.5" | 20.5" |
| h: 48" | 48" | 48" |
| d: 18.5" | 17.5" | 18.5" |

304 Stainless

NEW!



4-Wheel Drum Cart

- Two position, 4-wheel transport design to handle drums and standard loads.
- **Position I:** Easily handles and maneuvers standard loads as a 4-wheel transport.
- **Position II:** With the chime hook engaged and a press of the foot pedal, the frame tilts a 30 or 55 gallon steel drum to a balanced position to maintain 4-wheel contact even with half empty bottom heavy drums.
- Two 3.5" x 1.5" polyolefin swivel casters for easy maneuverability in narrow spaces.
- Chime hook to engage 30 & 55 gallon steel drums.
- 7.8" D x 14" W beveled edge noseplate.
- Curved frame holds 5-gallon pails and kegs.

OVERALL DIMENSIONS

| | |
|-----------|--------|
| w: 19.25" | 19.25" |
| h: 26.25" | 48.5" |
| d: 48" | 25" |

| Part # | 210546 | 210549 | 210547 | 210340 | 210349 | 210266 | 210352 | 210353 | 210354 |
|------------|----------|----------|----------|---------|----------|---------|-----------------|---------|----------|
| Model # | TNT56-Z | TNT56-Z2 | TNT56-P | 156DH-Z | 156DH-HB | 156DH-P | 156DH-PP8-SS | 4WDC-ZC | 4WDC-HBC |
| Capacity | 600 lbs | 700 lbs | 600 lbs | 700 lbs | 800 lbs | 700 lbs | 600 lbs | 800 lbs | 900 lbs |
| Wheel Type | Z | Z2 | P | Z | HB | P | 8" Polyurethane | 10" Z | 8" HB |
| Weight | 41.5 lbs | 42 lbs | 38.5 lbs | 39 lbs | 42.5 lbs | 39 lbs | 33.5 lbs | 66 lbs | 66 lbs |

| PE | SR | Z | HB | Z2 | P | PP8 |
|---|---|---|---------------------------------------|--|---|---|
| Steel Offset 10" x 3.5" Pneumatic | Poly Offset 10" x 2.5" Solid Rubber | Steel Offset 10" x 2.75" Semi-Pneumatic | Cast Iron 8" x 2" Moldon Rubber | Poly Offset 10" x 2.75" Solid Rubber | Steel Offset 10" x 3.5" Pneumatic | 8" x 2" Polyurethane Tread Polypropylene Hub 3/4" Ball Bearing |
| | | | | | | |
| 151551 | 108479 | 150589 | 150120 | 150698 | 050602 | 053733 |

HAND TRUCKS

WESCO® HEAVY DUTY STEEL HAND TRUCKS

A 5 Year Guarantee Against Weld Failure. A Wesco Quality Exclusive.



Oversized 12" pneumatic tire for easy mobility on rough terrain.



ST2-P12

Heavy Duty Shovel Nose Trucks

- Five year weld guarantee.
- 13" deep x 17.5" x .25" thick tapered nose plate.
- 1" heavy duty structural steel frame.
- Easy grip continuous handle frame design.
- 3/4" axle.
- Wheel guards.
- 2 wheel types - 8" & 12".

OVERALL DIMENSIONS

| | | |
|----|-------|-------|
| w: | 20.5" | 20.5" |
| h: | 53" | 53" |
| d: | 22" | 25.5" |



Swivel caster →

186-ZC

Heavy Duty 186 Series

- Rear caster design allows small diameter turns in tight areas.
- Combination two handle and utility bar handle design.
- Distribution of load over 4 wheels improves load control.
- All wheels have ball bearings.
- Wheel guards.

OVERALL DIMENSIONS

| | | |
|----|-------|-------|
| w: | 20.5" | d: 8" |
| h: | 48" | |
| d: | 25" | |

NOSE PLATE

| |
|-------|
| d: 8" |
|-------|



Steel Reinforced on underside of nose plate.

146RN-HB

Heavy Duty Hand Truck

- 8" x 2" cast iron center moldon rubber wheels.
- 7.25" x 14" steel reinforced nose plate.
- .75 inch axle.
- Five handle choices.

OVERALL DIMENSIONS

| | |
|----|---------|
| w: | 19.625" |
| h: | 51" |
| d: | 17.5" |



126 HANDLE 126D HANDLE 136 HANDLE 146 HANDLE 156 HANDLE

| Part # | 210064 | 210066 | 210125 | 210263 | 210264 | 210134 | 210135 | 210265 |
|--------------|---------|---------|-------------------------------|----------|-----------|----------|----------|----------|
| Model # | ST2-HB | ST2-P12 | 186-ZC | 126RN-HB | 126DRN-HB | 136RN-HB | 146RN-HB | 156RN-HB |
| Capacity | 900 lbs | 800 lbs | 800 lbs | 800 lbs | 800 lbs | 800 lbs | 800 lbs | 800 lbs |
| Wheel: Front | HB | P-12" | Z | HB | HB | HB | HB | HB |
| Rear | N/A | N/A | 4" x 1.25" Poly Swivel Caster | N/A | N/A | N/A | N/A | N/A |
| Weight | 69 lbs | 69 lbs | 53 lbs | 39 lbs | 40 lbs | 41.5 lbs | 42 lbs | 38 lbs |

- 5 year weld guarantee.
- All joints double welded.
- Structural steel frame construction.
- Ribbed x-braces for added strength.

| RK-8 Poly Hub 8" x 2.25" | Z Steel Offset 10" x 2.75" Semi-Pneumatic | HB Cast Iron 8" x 2" Moldon Rubber | P-12 Steel Offset 12" x 4" |
|--------------------------|---|------------------------------------|----------------------------|
| | | | |
| 050566 | 150589 | 150120 | 108484 |



5 Year Weld Guarantee



TM-BT

TM4W-HB

Heavy Duty Warehouse Trucks

- Five year weld guarantee.
- Large 10" deep x 16.5" wide x .25" thick tapered nose plate.
- 1" heavy duty structural steel frame.
- Wheel guards standard.
- Dual handle design.
- Kick out four wheel model – TM4W or standard two wheel model.
- 3.5" moldon rubber swivel casters on four wheel kick out trucks.
- New longer 14 ft. belt length on TM4W models.

| | OVERALL DIMENSIONS | | | OVERALL DIMENSIONS | | |
|----|--------------------|-------|-------|--------------------|-------------------------|---------|
| w: | 21" | 21" | 21" | w: | 20.5" | 20.5" |
| h: | 50.5" | 50.5" | 50.5" | h: | 37.25" 4-Wheel / 50.25" | 2 Wheel |
| d: | 22.5" | 23.5" | 24" | d: | 22.5" | 22" |



210127

210215

SR Economy Hand Truck

- 7.5" x 14" nose plate.
- 16 gauge frame.
- Two Wheel Choices:
10" Pneumatic and
10" Solid Rubber Wheels.

| | OVERALL DIMENSIONS | |
|----|--------------------|-------|
| w: | 21.5" | 21.5" |
| h: | 51" | 51" |
| d: | 19" | 19" |

| | 210055 | 210056 | 210239 | 210060 | 210061 | 210062 | 210127 | 210215 |
|------------|---------|---------|-----------|---------|---------|--------------|---------------|------------------|
| Part # | 210055 | 210056 | 210239 | 210060 | 210061 | 210062 | 210127 | 210215 |
| Model # | TM-HB | TM-PB | TM-BT | TM4W-HB | TM4W-PB | TM4W-BT | SR Economy-PE | SR Economy - SR |
| Capacity | 900 lbs | 700 lbs | 1,000 lbs | 900 lbs | 700 lbs | 1,000 lbs bs | 500 lbs | 500 lbs |
| Wheel Type | HB | PB | BT | HB | PB | BT | 10" Pneumatic | 10" Solid Rubber |
| Caster | N/A | N/A | N/A | 3.5" | 3.5" | 3.5" | N/A | N/A |
| Weight | 54 lbs | 49 lbs | 75 lbs | 78 lbs | 75 lbs | 98 lbs | 26 lbs | 28 lbs |

| HB | PB | BT | PE | SR |
|---------------|--------------|---------------|--------------|--------------|
| Cast Iron | Steel Offset | Cast Iron | Steel Offset | Poly Offset |
| 8" x 2" | 10" x 3.5" | 10" x 2.5" | 10" x 3.5" | 10" x 2.5" |
| Moldon Rubber | Pneumatic | Moldon Rubber | Pneumatic | Solid Rubber |
| | | | | |
| 150120 | 108478 | 150596 | 151551 | 108479 |

WESCO CYLINDER TRUCKS AND CARTS



LLHPB

LLWPB

Hydraulic Cylinder Lift

- 1-year warranty, parts only.
- WESCO manufactured hydraulic Pedalift Jack, over 35 years of proven quality.
- Easily lifts and transports gas cylinders.
- Swivel casters make maneuvering in tight places easier.
- Two models:
 - Foot operated hydraulic pump.
 - Manual winch with auto-brake feature.
- Maximum cylinder diameter 9.5".
- Platform size: 12" x 20".

OVERALL DIMENSIONS

| | | |
|----|--------|--------|
| w: | 20" | 20" |
| h: | 54" | 58" |
| d: | 29.25" | 29.25" |



210124
4-wheel mode



210123
2-wheel mode



210124
storage mode

Professional Series Cylinder Trucks

- Safety chain helps secure load.
- Easy conversion between all 3 modes using spring-loaded position lock mechanism.
- 8" moldon rubber wheels, 3" swivel casters.
- Holds cylinders up to 9 1/4" in. diameter.
- Noseplate 9" W x 7 1/4" D - single cylinder.
- Noseplate 16 7/8" W x 7 1/4" D - double cylinder.

4-WHEEL OVERALL DIMENSIONS

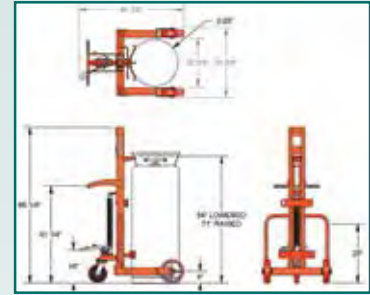
| | | |
|----|-------|-----|
| w: | 19" | 29" |
| h: | 36.5" | 37" |
| d: | 32" | 32" |

2-WHEEL OVERALL DIMENSIONS

| | | |
|----|--------|--------|
| w: | 19" | 29" |
| h: | 41.75" | 42.25" |
| d: | 17.5" | 18.5" |

STORAGE OVERALL DIMENSIONS

| | | |
|----|--------|--------|
| w: | 19" | 29" |
| h: | 41.75" | 42.25" |
| d: | 26" | 26" |



240251



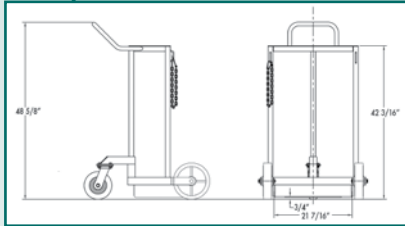
Hydraulic Large Liquid Gas Cylinder Cart

- 1-year warranty, parts only.
- WESCO made hydraulic pump - over 35 years of proven quality.
- Easy transport of large liquid 20" gas cylinders.
- Foot operated hydraulic pump.
- 10" x 2.5" polyurethane wheels.
- 8" polyurethane non-marking swivel caster with swivel locks.
- Ratchet tightening belt to secure cylinder.
- Lifting hook engages cylinder without hand contact - permits hands-free lifting.
- #240250 - without brake.
- #240251 - with brake.

OVERALL DIMENSIONS

| | |
|----|--------|
| w: | 29.75" |
| h: | 66.25" |
| d: | 44.75" |

| Part # | 260161 | 260163 | 210123 | 210124 | 240250 | 240251 |
|----------------|-----------------|-------------|------------------|------------------|-------------------------|---------------------------------------|
| Model # | LLHPB | LLWPB | CC-1 | CC-2 | HLCC | HLCC-B |
| Capacity | 300 lbs | 300 lbs | 250 lbs | 500 lbs | 1,000 lbs | 1,000 lbs |
| Wheel Type | 5" | 5" | 8" Moldon Rubber | 8" Moldon Rubber | 10" x 2.5" Polyurethane | With Brake 10" x 2.5" Polyurethane |
| Caster | 5" swivel | 5" swivel | 3" | 3" | 8" x 2" Swivel | 8" x 2" Swivel |
| Lift Height | 40" / Hydraulic | 40" / Winch | N/A | N/A | 71" | 71" |
| Lowered Height | 25" | .25" | N/A | N/A | 54" | 54" |
| Weight | 165 lbs | 152 lbs | 40 lbs | 50 lbs | 130 lbs | 140 lbs |



Large Liquid Gas Cylinder Cart

- Easy transport of large liquid 20" gas cylinders.
- Low profile design eases cylinder loading
- Upright design takes up less floor space than traditional lay-back design and provides greater maneuverability in confined space.
- 8" polyurethane-tread, non-marking crowned swivel caster with rolling and swivel lock.
- 10" polyurethane-tread main wheels.
- Heavy duty structural pipe and steel pipe frame.
- Quick-connecting chain helps secure load.

OVERALL DIMENSIONS

w: 30"
h: 48.625"
d: 31"



Large Liquid Gas Cylinder Cart with Power Drive

- 180 degree hinged design allows precision steering in confined spaces.
- Maximum speed with full charge 1.7 mph (2.5 fps) (No Load).
- Speed control is adjustable from 0 to 1.7 mph.
- Automatic Dead Man Brake engages if handle is released.
- Automatic emergency safety switch instantly reverses direction if control comes in contact with the operator or an obstacle.
- Low profile design for ease of cylinder loading
- High Strength Structural Tube Frame for Durability.
- Large 10" x 2.5" Polyurethane Front Wheels for smooth operation.
- Quick-connect Ratchet Strap to secure cylinder.

OVERALL DIMENSIONS

w: 28"
h: 49"
d: 40"



Part # 210131

Model # LCC

Capacity 1,000 lbs

Wheel Type 10" x 2.5" Polyurethane

Caster 8" x 2" Swivel

Lift Height N/A

Lowered Height N/A

Weight 90 lbs

210131-PD

LCC-PD

1,000 lbs

10" x 2.5" Polyurethane

8" x 2" Swivel

N/A

N/A

196 lbs

10" x 2.5"
Polyurethane
Tread Poly-
propylene Hub



053730

Hydraulic
Cylinder Lift
Truck—
see page 57.



WESCO COBRA-LITE ALUMINUM HAND TRUCKS

Cobra-Lite features:

- All aluminum construction.
- Heavy duty cast 7.5" by 14" or 7.5" by 18" wide nose plate options.
- Quality light weight truck at an economical price.

- Ships KD and boxed or as components (see page 33).
- All 2" wide cross braces for additional strength. Great for advertising label.
- Assembly option available. Add "-A" to Part # below. Example: 220566-A.



Series 410

- Continuous handle.
- 49" overall height.
- Most popular model.
- Available with vinyl dipped handle. See component system on page 33.

OVERALL DIMENSIONS

w: 18"
h: 49"
d: 20



410-T14-R3

Series 420

- High back pin handle.
- Comfortable vinyl hand grip.
- 52" overall height.

OVERALL DIMENSIONS

w: 18"
h: 52"
d: 20



420-T18-P

| T14" Nose Part # | 220562 | 220332 | 220321 | 220370 | 220322 | 220375 | 220564 | 220333 | 220324 | 220371 | 220325 | 220376 |
|------------------|--------------|------------|-----------|------------|-----------|------------|--------------|------------|-----------|------------|-----------|------------|
| Model # | 410-T14-BC10 | 410-T14-R3 | 410-T14-Z | 410-T14-Z2 | 410-T14-P | 410-T14-PE | 420-T14-BC10 | 420-T14-R3 | 420-T14-Z | 420-T14-Z2 | 420-T14-P | 420-T14-PE |
| Capacity | 560 lbs | 600 lbs | 600 lbs | 600 lbs | 600 lbs | 600 lbs | 560 lbs | 600 lbs | 600 lbs | 600 lbs | 600 lbs | 600 lbs |
| Wheel Type | BC-10 | R3 | Z | Z2 | P | PE | BC-10 | R3 | Z | Z2 | P | PE |
| Weight | 23 lbs | 23 lbs | 27.5 lbs | 31 lbs | 22.5 lbs | 21 lbs | 23 lbs | 19.5 lbs | 27.5 lbs | 26 lbs | 22.5 lbs | 21 lbs |
| T18" Nose Part # | 220563 | 220392 | 220381 | 220396 | 220382 | 220365 | 220565 | 220393 | 220384 | 220397 | 220385 | 220366 |
| Model # | 410-T18-BC10 | 410-T18-R3 | 410-T18-Z | 410-T18-Z2 | 410-T18-P | 410-T18-PE | 420-T18-BC10 | 420-T18-R3 | 420-T18-Z | 420-T18-Z2 | 420-T18-P | 420-T18-PE |
| Capacity | 560 lbs | 600 lbs | 600 lbs | 600 lbs | 600 lbs | 600 lbs | 560 lbs | 600 lbs | 600 lbs | 600 lbs | 600 lbs | 600 lbs |
| Wheel Type | BC-10 | R3 | Z | Z2 | P | PE | BC-10 | R3 | Z | Z2 | P | PE |
| Weight | 23 lbs | 20.5 lbs | 28.5 lbs | 27 lbs | 23.5 lbs | 22 lbs | 23 lbs | 20.5 lbs | 28.5 lbs | 27 lbs | 23.5 lbs | 22 lbs |

Series 450

- Twin handle style with vinyl grips.
- 49" overall height.

OVERALL DIMENSIONS

w: 18"
h: 49"
d: 20



450-T14-R3

Series 470

- High back loop handle.
- 52" overall height.

OVERALL DIMENSIONS

w: 18"
h: 52"
d: 20



470-T14-BC10

| T14" Nose Part # | 220566 | 220334 | 220327 | 220372 | 220328 | 220377 | 220568 | 220335 | 220330 | 220373 | 220331 | 220378 |
|------------------|--------------|------------|-----------|------------|-----------|------------|--------------|------------|-----------|------------|-----------|------------|
| Model # | 450-t14-BC10 | 450-t14-R3 | 450-t14-Z | 450-t14-Z2 | 450-t14-P | 450-t14-PE | 470-t14-BC10 | 470-t14-R3 | 470-t14-Z | 470-t14-Z2 | 470-t14-P | 470-t14-PE |
| Capacity | 560 lbs | 600 lbs | 600 lbs | 600 lbs | 600 lbs | 600 lbs | 560 lbs | 600 lbs | 600 lbs | 600 lbs | 600 lbs | 600 lbs |
| Wheel Type | BC-10 | R3 | Z | Z2 | P | PE | BC-10 | R3 | Z | Z2 | P | PE |
| Weight | 23 lbs | 20 lbs | 28 lbs | 26.5 lbs | 23 lbs | 21.5 lbs | 23 lbs | 20 lbs | 28 lbs | 27 lbs | 23 lbs | 21.5 lbs |
| T18" Nose Part # | 220567 | 220394 | 220387 | 220398 | 220388 | 220367 | 220569 | 220395 | 220390 | 220399 | 220391 | 220368 |
| Model # | 450-T18-BC10 | 450-T18-R3 | 450-T18-Z | 450-T18-Z2 | 450-T18-P | 450-T18-PE | 470-T18-BC10 | 470-T18-R3 | 470-T18-Z | 470-T18-Z2 | 470-T18-P | 470-T18-PE |
| Capacity | 560 lbs | 600 lbs | 600 lbs | 600 lbs | 600 lbs | 600 lbs | 560 lbs | 600 lbs | 600 lbs | 600 lbs | 600 lbs | 600 lbs |
| Wheel Type | BC-10 | R3 | Z | Z2 | P | PE | BC-10 | R3 | Z | Z2 | P | PE |
| Weight | 23 lbs | 21 lbs | 29 lbs | 27.5 lbs | 24 lbs | 22.5 lbs | 23 lbs | 21 lbs | 29 lbs | 27.5 lbs | 24 lbs | 22.5 lbs |

| BC-10 | R3 | Z | Z2 | P | PE | BC-8 | CF (Flat Free) |
|---------------------------------|--------------------------------|-----------------------------|----------------------------|----------------------------|----------------------------|-------------------------|--------------------------|
| Poly Offset Hub 10" x 2.165" | Aluminum Offset 8" x 1.625" | Steel Offset 10" x 2.75" | Poly Offset 10" x 2.75" | Steel Offset 10" x 3.5" | Steel Offset 10" x 3.5" | Poly Hub 8" x 2.165" | Steel Offset 10" x 3" |
| Balloon Cushion | Moldon Rubber | Semi-Pneumatic | Solid Rubber | Pneumatic | Pneumatic | Balloon Cushion | Microcellular |
| | | | | | | | |
| 150228 | 108561 | 150589 | 150698 | 050602 | 151551 | 150229 | 053446 |



SINCE 1948

Additional choices not listed above.



■ When ordering by part # add option part # to truck part #.

Example: 220332,220351

■ When ordering by model #, add option model # to truck model #.

Example: 410-T14-R3-S3K.



Cobra-Lite Folding Nose for Cast and Extruded Noseplates

- | | | | |
|-------------------|------------|----------------------------|------------|
| Factory Installed | | Kit for Field Installation | |
| ■ 20" long | ■ 30" long | ■ 20" long | ■ 30" long |

CAST NOSE PRODUCTS

| | | | | |
|---------|--------|--------|--------|--------|
| Part # | 054223 | 054225 | 220346 | 220343 |
| Model # | F2F | F3F | F2K | F3K |

EXTRUDED NOSE PRODUCTS

| | | | | |
|---------|--------|--------|--------|--------|
| Part # | 054202 | 054203 | 220082 | 220083 |
| Model # | F2EF | F3EF | F2E | E3E |



Cobra-Lite Stairglide Options

Deluxe Cast Aluminum Stairglides

- | | | | |
|---------------------------|------------------------|----------------------------|------------------------|
| Factory Installed | | Kit for Field Installation | |
| ■ Pair without wearstrips | ■ Pair with wearstrips | ■ Pair without wearstrips | ■ Pair with wearstrips |

| | | | | |
|---------|--------|--------|--------|--------|
| Part # | 054211 | 054213 | 220349 | 220351 |
| Model # | S2F | S3F | S2K | S3K |



Steel w/Wearstrip

*With continuous rolling belt (8" wheel only)



Cast Aluminum

Cobra-Lite Stairclimber Options

Stairclimbing Attachments

- | | | | |
|------------------------------|-----------------------|------------------------------|-----------------------|
| Factory Installed | | Kit for Field Installation | |
| ■ Steel pair with wearstrips | ■ Cast aluminum pair* | ■ Steel pair with wearstrips | ■ Cast aluminum pair* |

| | | | | |
|---------|--------|--------|--------|--------|
| Part # | 054236 | 054237 | 220340 | 220339 |
| Model # | S4F | S5F | S4K | S5K |



Top Extensions for 410 & 450 Models

(Special Order: Call factory.)

| Installed Height of Extension | Factory Installed | | | | Kit for Field Installation | | | |
|-------------------------------|-------------------|------------|------------|------------|----------------------------|------------|------------|------------|
| | ■ 44" high | ■ 52" high | ■ 60" high | ■ 68" high | ■ 44" high | ■ 52" high | ■ 60" high | ■ 68" high |
| Part # | 050144 | 054206 | 054207 | 054209 | 220347 | 220080 | 220081 | 220094 |
| Model # | 44UF | 52UF | 60UF | 68UF | 44UK | 52UK | 60UK | 68UK |

HERE'S HOW TO DESIGN YOUR TRUCK!

- Choose from these Components: Frame, Handle, Noseplate and Wheel.
- Then, choose your Options.
- When ordering by model #, add Option Model # to truck model #.

EXAMPLE 41 + 0 + T18 + R3 + F3 + S4K =
410-T18-R3-F3-S4K



S4K Option
Steel Stair Glides with Wearstrips

T-18 Noseplate

F3 Option 20"
Folding Nose Extension

1 CHOOSE A FRAME

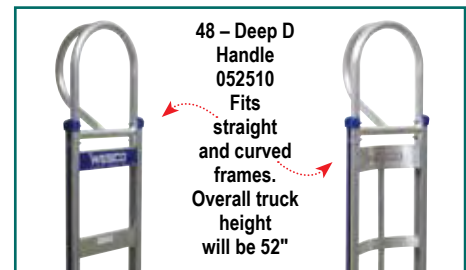
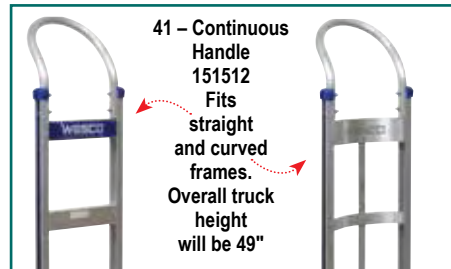


0
Straight Frame
153855



5
Curved Frame
153897

2 CHOOSE A HANDLE



3 CHOOSE A NOSEPLATE



ALUMINUM
T14 (cast)
14" W x 7.5" D
151521

ALUMINUM
E14 (extruded)
14" W x 7.625" D
220287

ALUMINUM
E18 (extruded)
18" W x 7.625" D
220285

ALUMINUM
T18 (cast)
18" W x 7.5" D
151533

ALUMINUM
E918 (extruded)
18" W x 9" D
220461

ALUMINUM
E16 (extruded)
16" W x 12" D
220286

ALUMINUM
EC16 (extruded)
Recessed Heel 16" W x 12" D
220506
For Curved Frame Only

4 CHOOSE A WHEEL



BC-10
Poly Hub
10" x 2.165"
Balloon Cushion
270274

CF (Flat Free)
Steel Offset Hub
10" x 3"
Microcellular Polyurethane.
Will not go flat
220348

P
Steel Offset Hub
10" x 3.5"
Pneumatic Tire
054045

PE
Steel Offset Hub
10" x 3.5"
Pneumatic Tire
054231

PWT
Steel Offset Hub
10" x 3.625"
Pneumatic
Wide Tread Tire
220319

Z
Steel Offset Hub
10" x 2.75"
Semi-Pneumatic
Tire
054047

Z2
Poly Offset Hub
10" x 2.75"
Solid Rubber Tire
054230

BC-8
Poly Hub
8" x 2.165"
Balloon Cushion
270275

R2
Poly Hub
8" x 1.625"
Moldon Rubber
Tire 054046

R3
Aluminum Offset
Hub
8" x 1.625"
Moldon Rubber Tire
054048

Z8
Poly Offset Hub
8" x 2"
Solid Rubber
Tire
220352

5 CHOOSE AN OPTION

EXTENSION OPTIONS



Top extension for 40R, 40B, 41 and 45 handles
44UK – 44" top extension 220347
52UK – 52" top extension 220080
60UK – 60" top extension 220081
68UK – 68" top extension 220094
(Vinyl coated top extensions available – see price list)



Folding nose extension
20" long
F2 – For Cast Noses 220346
F2E – For Extruded Noses 220082
30" long
F3 – For Cast Noses 220343
F3E – For Extruded Noses 220083

STAIR GLIDE & CLIMBER OPTIONS



S2K:
*Deluxe cast aluminum stair glides without wearstrip 220349
S3K: # 220351 with wearstrip



S4K
Steel stair glides with wearstrips 220340
Field Install Kit
S4F #054236
Factory Install



S5K
Continuous belt stair climbers 220339
(For 8" wheel only)
Field Install Kit
S5F #054237
Factory Install

STRAP



CS
Center strap option 054062

WESCO COBRA ALUMINUM CONVERTIBLE TRUCKS

Cobra Jr. and Sr. features:

- 18" wide noseplate for large loads.
- Smooth and easy transition from the 2 to 4 wheeled position.
- Non-marking 5" x 1.25" swivel casters.
- Add B to end of part number for blue coated handle option.

- 8 rivets per cross brace. Welded release pedal.
- Custom advertising side strips available – contact dealer for details.
- 2" wide cross braces for added strength and advertising labels.



Higher Capacity Convertible Trucks - 1,200 lbs. 2 Year Frame Warranty

Cobra Jr.

- 2 Year Frame Warranty.
- Dual hand grips for improved control.
- 3 frame cross braces.
- 12 inch x 38 inch frame bed.



220291



| 2 Wheel OVERALL DIMENSIONS | 4 Wheel OVERALL DIMENSIONS |
|-------------------------------|------------------------------|
| w: 22" h: 51.75" d: 19" | w: 46.5" h: 40" d: 19" |

Cobra Sr.

- 2 Year Frame Warranty.
- Continuous handle allows multiple ways to control load.
- 4 frame cross braces.
- 12 inch x 50.75 inch frame bed.



220290



| 2 Wheel OVERALL DIMENSIONS | 4 Wheel OVERALL DIMENSIONS |
|-------------------------------|----------------------------------|
| w: 22" h: 61.75" d: 19" | w: 55.625" h: 45.5" d: 19" |

| | 18"W x 7.5"D | 18"W x 7.5"D | 18"W x 7.5"D | 18"W x 7.5"D | 18"W x 7.5"D | 18"W x 7.5"D | 18"W x 7.5"D | 18"W x 7.5"D | 18"W x 7.5"D | 18"W x 7.5"D |
|------------------|----------------|---------------|--------------|---------------|---------------|----------------|---------------|--------------|---------------|---------------|
| T18 Nose Part # | 220293 | 220291 | 220295 | 220297 | 220622 | 220292 | 220290 | 220294 | 220296 | 220618 |
| Model # | CBR-JR-T18-PWT | CBR-JR-T18-PE | CBR-JR-T18-Z | CBR-JR-T18-Z2 | CBR-JR-T18-CF | CBR-SR-T18-PWT | CBR-SR-T18-PE | CBR-SR-T18-Z | CBR-SR-T18-Z2 | CBR-SR-T18-CF |
| E18 Nose Part # | 220482 | 220494 | 220486 | 220490 | 220515 | 220484 | 220496 | 220488 | 220492 | 220516 |
| Model # | CBR-JR-E18-PWT | CBR-JR-E18-PE | CBR-JR-E18-Z | CBR-JR-E18-Z2 | CBR-JR-E18-CF | CBR-SR-E18-PWT | CBR-SR-E18-PE | CBR-SR-E18-Z | CBR-SR-E18-Z2 | CBR-SR-E18-CF |
| E16 Nose Part # | 220483 | 220495 | 220487 | 220491 | 220666 | 220485 | 220497 | 220489 | 220493 | 220667 |
| Model # | CBR-JR-E16-PWT | CBR-JR-E16-PE | CBR-JR-E16-Z | CBR-JR-E16-Z2 | CBR-JR-E16-CF | CBR-SR-E16-PWT | CBR-SR-E16-PE | CBR-SR-E16-Z | CBR-SR-E16-Z2 | CBR-SR-E16-CF |
| Capacity 2 Wheel | 600 lbs | 600 lbs | 600 lbs | 600 lbs | 560 lbs | 600 lbs | 600 lbs | 600 lbs | 600 lbs | 560 lbs |
| 4 Wheel | 1,200 lbs | 1,200 lbs | 1,200 lbs | 1,200 lbs | 1,160 lbs | 1,200 lbs | 1,200 lbs | 1,200 lbs | 1,200 lbs | 1,160 lbs |
| Frame Bed | 12" x 38" | 12" x 38" | 12" x 38" | 12" x 38" | 12" x 38" | 12" x 50.75" | 12" x 50.75" | 12" x 50.75" | 12" x 50.75" | 12" x 50.75" |
| Wheel | PWT | PE | Z | Z2 | CF | PWT | PE | Z | Z2 | CF |
| Weight | 39 lbs | 37.5 lbs | 43.5 lbs | 42.5 lbs | 41 lbs | 42.5 lbs | 41 lbs | 47 lbs | 46 lbs | 41 lbs |

Cobra Platform Deck Option

- Platform Deck: Slip resistant diamond pattern surface for both cast and extruded noseplates.



| Part # | 220289 | 220288 | 220514 | 220318 |
|--------------|-------------------|-------------------|-----------------------|-----------------------|
| Model # | JRD | SRD | JRDE | SRDE |
| For Use With | Jr/Cast Noseplate | Sr/Cast Noseplate | Jr/Extruded Noseplate | Sr/Extruded Noseplate |
| Length | 42" | 55" | 42" | 55" |
| Weight | 8 lbs | 10 lbs | 7 lbs | 9 lbs |

Cobra Folding Nose Option

- Coated handle.

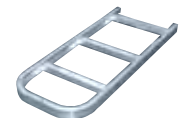
Kit for Field Installation

- 20" for T-18 Noseplates
- 20" for E-18 & E-16 Noseplates
- 30" for T-18 Noseplates
- 30" for E-18 & E-16 Noseplates

| Part # | 220346 | 220082 | 220343 | 220083 |
|---------|--------|--------|--------|--------|
| Model # | F2 | F2E | F3 | F3E |

Factory Installed

| Part # | 054223 | 054202 | 054225 | 054203 |
|---------|--------|--------|--------|--------|
| Model # | F2F | F2EF | F3F | F3EF |



Additional choice not listed above.

| PWT (Wide Tread) | PE | Z | Z2 | CF (Flat Free) | BC-10 |
|-----------------------------------|-----------------------------------|---|--------------------------------------|-------------------------------------|---------------------------------------|
| Steel Offset 10" x 3.5" Pneumatic | Steel Offset 10" x 3.5" Pneumatic | Steel Offset 10" x 2.75" Semi-Pneumatic | Poly Offset 10" x 2.75" Solid Rubber | Steel Offset 10" x 3" Microcellular | Poly Hub 10" x 2.165" Balloon Cushion |
| | | | | | |
| 151507 | 151551 | 150589 | 150698 | 053446 | 150228 |



Spartan Jr.

219998



Spartan Sr.

220001

Spartan Economy Aluminum 2 in 1 Trucks

- Value-priced truck.
- Two sizes - Jr. and Sr.
- Sturdy, lightweight aluminum frame.
- 18" wide x 7.5" deep noseplate for large loads.
- Wheels: PE 10" pneumatic or SR 10" solid rubber.
- Non-marking 5" x 1.25" swivel casters.
- Pedal release allows easy conversion from 2-wheel to 4-wheel position.
- Extra strength noseplate cast from special aluminum alloy.**
- Ships KD and boxed.
- Assembly option available. Add "-A" to Part # below. Example: 220000-A.

| 2 Wheel | 4 Wheel | 4 Wheel | 2 Wheel | 4 Wheel | 4 Wheel |
|--------------------|---------|---------|--------------------|---------|---------|
| OVERALL DIMENSIONS | | | OVERALL DIMENSIONS | | |
| w: 22" | 22" | 22" | w: 22" | 22" | 22" |
| h: 52" | 40" | 40" | h: 61.5" | 45.5" | 45.5" |
| d: 19" | 19" | 19" | d: 19" | 19" | 19" |

| Part # | 220000 | 219998 | 220145 | 220001 | 219999 | 220144 |
|-------------|----------------|----------------|----------------|----------------|----------------|----------------|
| Model # | SPTN-JR-T18-PE | SPTN-JR-T18-SR | SPTN-JR-T18-CF | SPTN-SR-T18-PE | SPTN-SR-T18-SR | SPTN-SR-T18-CF |
| Capacity | | | | | | |
| 2 Wheel | 500 lbs | 500 lbs | 500 lbs | 500 lbs | 500 lbs | 500 lbs |
| 4 Wheel | 1,000 lbs | 1,000 lbs | 1,000 lbs | 1,000 lbs | 1,000 lbs | 1,000 lbs |
| Description | 12" x 38" Bed | 12" x 38" Bed | 12" x 38" Bed | 12" x 51" Bed | 12" x 51" Bed | 12" x 51" Bed |
| Wheel | PE | SR | CF | PE | SR | CF |
| Caster | 5" x 1.25" | 5" x 1.25" | 5" x 1.25" | 5" x 1.25" | 5" x 1.25" | 5" x 1.25" |
| Weight | 44 lbs | 54 lbs | 44 lbs | 46.3 lbs | 58 lbs | 48 lbs |

Spartan and CobraPRO Options



Platform Deck*

| Part # | Spartan Jr. Models | CobraPRO Jr. Models | Spartan Sr. and CobraPRO Sr. Models | 30" Folding Nose | |
|---------|--------------------|---------------------|-------------------------------------|------------------|-----------------|
| | | | | Field Install | Factory Install |
| 220800 | JRSD | JRD | SRD | 220343 | 054225 |
| Model # | JRSD | JRD | SRD | F3 | F3F |
| Length | 42" | 42" | 55" | 30" | 30" |
| Weight | 8 lbs | 8 lbs | 10 lbs | 5 lbs | 2 lbs |

| PE Steel Offset 10" x 3.5" Pneumatic | SR Poly Offset 10" x 2.5" Solid Rubber | CF (Flat Free) Steel Offset 10" x 3" Microcellular | PWT Steel Offset 10" x 3.625" Pneumatic |
|--|--|--|---|
| | | | |
| 151551 | 108479 | 053446 | 151507 |



BATTERY POWERED COBRAPRO

CobraPRO Jr. and Sr. have 950 lb. capacity in 4-wheel mode and 600 lb. capacity in 2-wheel mode on standard 17.5° ramp.



220653



220656

Shown with optional 30" folding nose #220343



CobraPRO Jr.

2 Year Frame Warranty.

- Dual hand grips for improved control.
- Variable speed fingertip control. Forward and reverse.
- 3 frame cross braces.
- Battery and charger included.

2 Wheel 4 Wheel OVERALL DIMENSIONS

| | |
|-----------|-------|
| w: 22" | 46.5" |
| h: 51.75" | 40" |
| d: 19" | 19" |

220653
PCBR-JR-T18-PWT

600 lbs
1,200 lbs

12" x 38"

10" PWT Pneumatic

5" x 1.25"

109 lbs

CobraPRO Sr.

2 Year Frame Warranty.

- Continuous handle allows multiple ways to control load.
- Variable speed fingertip control. Forward and reverse.
- 4 frame cross braces.
- Battery and charger included.

2 Wheel 4 Wheel OVERALL DIMENSIONS

| | |
|-----------|---------|
| w: 22" | 55.625" |
| h: 61.75" | 45.5" |
| d: 19" | 19" |

220656
PCBR-SR-T18-PWT

600 lbs
1,200 lbs

12" x 50.75"

10" PWT Pneumatic

5" x 1.25"

112.5 lbs

Spare Battery Module

Part #220655

- Plugs directly into drive unit.
- No need to attach cables.
- Spare battery module includes 2 batteries and case.
- 25 lbs.

HAND TRUCKS

COBRA



220615

Mini Cobra

- 2 Year Frame Warranty.
- Unique design allows user to fold nose for storage.
- 4" x 1.25" non-marking swivel casters.
- 8.25" x 32.25" frame bed.
- Folding noseplate 7" D x 14" W.
- 8" x 2.25" pneumatic wheels.

| | 2 Wheel | 4 Wheel |
|---------------------------|---------|---------|
| OVERALL DIMENSIONS | | |
| w: | 15" | 15" |
| h: | 44" | 32.5" |
| d: | 16" | 16" |



270391

1



2



3

Spartan III

- Value priced truck.
- Aluminum construction.
- Quickly converts into 3 positions:
 1. Vertical 2-Wheel
 2. 45° 4-Wheel
 3. Platform Wheel.
- 18" x 7.5" cast aluminum noseplate.
- 7.5" W x 27" L recessed folding nose extension.
- Handle height 48".
- 10" full pneumatic wheel.
- 5" x 1.25" swivel casters.
- Ships KD/boxed.

| | 2 Wheel | 4 Wheel |
|---------------------------|---------|---------|
| OVERALL DIMENSIONS | | |
| w: | 21.5" | * |
| h: | 52" | 42.25" |
| d: | 19" | 19" |

| Part # | 220615 | 270391 |
|-----------|---------------------|---------------------------|
| Model # | CBR-FBL | SPTN-III |
| Capacity | | 45° / 4 Wheel - 500 lbs |
| 2 Wheel | 300 lbs | 2 Wheel - 500 lbs |
| 4 Wheel | 500 lbs | 4 Wheel - 750 lbs |
| Frame Bed | 8.25" x 32.25" | 12" X 51" |
| Wheel | 8" Pneumatic | PE |
| Caster | 4" Jarvis Advantage | 5" x 1.25" Swivel Casters |
| Weight | 28 lbs | 45 lbs |

* Platform position 60". 45° position 49".



WESCO® POWER LIFTKAR HD STAIRCLIMBING TRUCKS

See the **LIFTKAR** video on our website! www.wescomfg.com



UNI
Part #274100 with optional fold-out wheel carriage - #274102 and #274103 snap-on toe plate



Optional 274103 snap-on toe plate with 4 dual swivel casters



FOLD
Part #274101



EXTENDED FOLD
Part #274238
Extended Height HD
Complete with fold-out carriage.

UNI
Part #274100 with optional snap-on toe plate - #274103.

Power LiftKar HD: 725 lb. high capacity models

Three Models

Uni – straight frame – accepts #274102 fold-out wheel carriage for 4-wheel support.

Fold – upper handle angle can be adjusted. Best for copiers, safes, heavy motors or any short and heavy load which would require the user to pull the load back to a very low position for proper balance. The adjustable angle position on the Fold model allows the user to stand upright when using the truck at a very low angle.

Extended Fold – Same advantages as **Fold** but with an extra 7" in height and fold-out wheel carriage.

■ Innovative edge-of-step braking system – automatically applies brake when wheels are at edge of step. Helps prevent loss of load control caused by accidental rolling down steps.

■ Brake can be shut off for use on level ground – prevents unwanted braking when moving over ground with an uneven surface.

■ Two operating modes: single step (ascend or descend button must be pressed after each step – ideal for maximum control), or continuous climb.

■ 24v quick-change battery pack – sealed maintenance-free battery.

■ Battery, charger and 137" x 2" cargo belt included.

■ 21" W x 7.25" D noseplate. Additional sizes available, contact Wesco Customer Service.

■ Two climbing speeds: 6 steps/min. or 10 steps/min.

■ Average number of steps with fully charged battery:

440 lbs. of cargo - 220 steps

550 lbs. of cargo - 190 steps

725 lbs. of cargo - 120 steps.

■ Maximum stair height 8.25".

■ 1 year warranty on parts against defects in materials and workmanship.

■ 6 month warranty on battery.

Power LiftKar Options

■ **Part # 274103 - Snap-on toe plate** equipped with 4 dual casters.

Provides additional cargo space and the ability to move loads without tilting truck. Especially useful in confined areas. 21" W x 14" D.

■ **Part # 274102 - Fold-out rear wheel carriage** for Universal model only - slides easily into position to provide 4-wheel support.

■ **Part # 274116 - Extra quick-change battery pack.**

■ **Part # 274181 - In-transit 12 Volt DC auto charger.**

■ **Part # 274185 - Standard 110 Volt battery charger.**



OVERALL DIMENSIONS

w: 22"
h: 63"
d: 19"

OVERALL DIMENSIONS

w: 22"
h: 47" - folded / 63" unfolded
d: 19"

OVERALL DIMENSIONS

w: 22"
h: 53.5" - folded / 70" unfolded
d: 21.3"

HAND TRUCKS

| Part # | 274100 | 274101 | 274238 |
|----------|--------------------------------|--------------------------------|--------------------------------|
| Model | Universal | Fold | Extended Height Fold |
| Battery | Single | Single | Single |
| Capacity | 725 lbs | 725 lbs | 725 lbs |
| Height | 63" straight frame | 47" folded | 70" straight frame |
| Belt | 2 piece with clasp - 137" x 2" | 2 piece with clasp - 137" x 2" | 2 piece with clasp - 137" x 2" |
| Weight | 96 lbs | 97 lbs | 105 lbs |

4 EASY STEPS TO CONFIGURE YOUR LIFTKAR!

LIFTKAR® SAL

- Dual speed control on all models to fit your application.
- Quick-change battery and charger included.
- Pivoting and fixed handle configurations available to handle a wide variety of cargo.
- Choose from the long list of options to maximize the utility of your Liftkar.
- 240, 300 and 375 lb. capacity models.
- Climbs up to 48 steps per minute.
- All models include charger and battery.
- 1 year warranty on parts against defects in materials and workmanship.
- 6 month warranty on battery.

See the **LIFTKAR** video on our website!
www.wescomfg.com

1 Choose your frame.

Ergo

The ergo handle is the most popular all-purpose model with 3-handle gripping points providing proper balance for a variety of loads.

(Recommended maximum cargo height - 58".)

(Shown with "G" Toe Plate.)



2 Choose your capacity and tire type.

Base Model - 240 lb capacity
 Base Model - 300 lb capacity
 Base Model - 375 lb capacity

See page 37 for 725 lb capacity HD models.

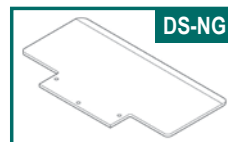
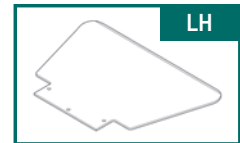
Maximum number of steps with fully charged battery - all models:
 200 - 300 steps - ascending
 400 - 600 steps - descending

| | Pneumatic Tire Part Number | Microcellular Tire Part Number | Capacity | Max. Steps per min | W x H | Weight |
|--|----------------------------|--------------------------------|----------|--------------------|---------------------------------|----------|
| 240 lb Capacity Models - includes battery and charger | | | | | | |
| Ergo | 274140 | 274152 | 240 lbs | 48 | 18.5" x 63" | 42.7 lbs |
| Fold | 274141 | 274153 | 240 lbs | 48 | 18" x 61" unfolded/ 39.5 folded | 42.2 lbs |
| Uni | 274142 | 274154 | 240 lbs | 48 | 17.5" x 59" | 41.8 lbs |
| Fold-L | 274143 | 274155 | 240 lbs | 48 | 19" x 64.5" unfolded/ 51 folded | 44.9 lbs |
| 300 lb Capacity Models - includes battery and charger | | | | | | |
| Ergo | 274144 | 274156 | 300 lbs | 35 | 18.5" x 63" | 42.7 lbs |
| Fold | 274145 | 274157 | 300 lbs | 35 | 18" x 61" unfolded/ 39.5 folded | 42.2 lbs |
| Uni | 274146 | 274158 | 300 lbs | 35 | 17.5" x 59" | 41.8 lbs |
| Fold-L | 274147 | 274159 | 300 lbs | 35 | 19" x 64.5" unfolded/ 51 folded | 44.9 lbs |
| 375 lb Capacity Models - includes battery and charger | | | | | | |
| Ergo | 274148 | 274160 | 375 lbs | 29 | 18.5" x 63" | 42.7 lbs |
| Fold | 274149 | 274161 | 375 lbs | 29 | 18" x 61" unfolded/ 39.5 folded | 42.2 lbs |
| Uni | 274150 | 274162 | 375 lbs | 29 | 17.5" x 59" | 41.8 lbs |
| Fold-L | 274151 | 274163 | 375 lbs | 29 | 19" x 64.5" unfolded/ 51 folded | 44.9 lbs |

3 Choose toe plate.

Add Toe Plate Part Number to Base Model Number.

| | Toe Plate Part Number | Grooved or Smooth* | W x D | Weight |
|-------|-----------------------|--------------------|----------------|---------|
| G | 274164 | Grooved | 16.5" x 13.4" | 4.6 lbs |
| GS | 274165 | Grooved | 18.8" x 9.4" | 4.1 lbs |
| LH | 274166 | Smooth | 18.45" x 10.9" | 3.7 lbs |
| GS-NG | 274167 | Smooth | 18.74" x 9.4" | 4.1 lbs |
| DS-NG | 274168 | Smooth | 17.7" x 7.5" | 4.1 lbs |
| WL | 274169 | Grooved | 14" x 7" | 2.2 lbs |
| XWL | 274170 | Grooved | 23.25" x 7" | 3.9 lbs |



Uni

Ideal for tall, easily balanced loads. 2-handle gripping points. (Shown with "G" Toe Plate.)



Fold

This model allows user to place handle in optimum position. Ideal for short, heavy loads that require truck to be tilted to an extreme angle for proper balance. (Shown with "G" Toe Plate.)



Fold L

Similar to fold but has a longer frame and shorter folding handle. This makes it ideal for loads that require less tilt for proper balance than the Fold provides. (Shown with "G" Toe Plate.)



4 Choose accessories.

| | Part Number | Weight |
|--|-------------|----------|
| Keg Hook | 274174 | 1.2 lbs |
| Center Strap w/ extra crossbar - Uni and Ergo only | 274175 | 1.1 lbs |
| Center Bar provides flat surface - Uni and Ergo only | 274176 | 1.8 lbs |
| 55" x 1" Cargo Strap w/buckle | 274177 | 1.1 lbs |
| 107" x 1" Cargo Strap w/buckle | 274178 | 1.1 lbs |
| 137" x 2" Cargo Strap w/buckle | 274199 | 1.5 lbs |
| Panel / Window / Door Holder | 274179 | 35.6 lbs |
| Extension Wings (Uni, Ergo, Fold-L) | 274180 | 3.3 lbs |
| Cigarette Lighter Charger | 274181 | 0.9 lbs |
| Battery Retainer | 274104 | 1.0 lbs |
| Lifting System (Uni, Ergo, Fold-L) | 274237 | 51 lbs |
| Extra Battery | 274116 | 9.5 lbs |

For detailed information on accessories, contact Wesco®.



Part #274174
Keg Hook



Part #274199
2" Strap



Part #274177
or #274178 - 1" Strap



Part #274180
Extension Wings



Part #274237 Lift System in use
Not for use with toe plates WL or XWL.
Capacity: 265 lbs. Lift height: 35.5"



Part #274175
Center Strap



Part #274179 in use
Door/Window Holder



Part #274176
Center Bar

WESCO® STAIRKING APPLIANCE TRUCK & OPTIONS



230051



DC-66



StairKing Battery Powered Stair Climbing Appliance Truck

- U.S. Pat. No. 7,137,464
- Welded aluminum construction.
- 1/2 Horsepower, 50 amp, high torque motor runs cooler under load.
- Industrial grade gear box transmits steady power and is preferable to other drive designs.
- Large 2" diameter, polyurethane lifting feet provide more secure stair gripping.
- Auto rewind ratchet works first to take the slack out of the cargo belt, and then provides a ratchet crank to securely tighten the load.
- Noseplate measures 24" by 4" deep. Welded lightweight frame and noseplate.
- 30" from noseplate to center of belt.
- Sealed maintenance-free battery. AC charger and circuit breaker included.
- 6" moldon rubber wheels.

■ Average number of steps with fully charged battery:

| LOAD | STEPS |
|---------|-------|
| 225 lbs | 160 |
| 450 lbs | 135 |
| 850 lbs | 70 |

OVERALL DIMENSIONS

w: 24"
h: 66" or 72"
d: 12"

StairKing Battery Powered Stair Climbing Appliance Truck

Cargo Belt Tightening Ratchet

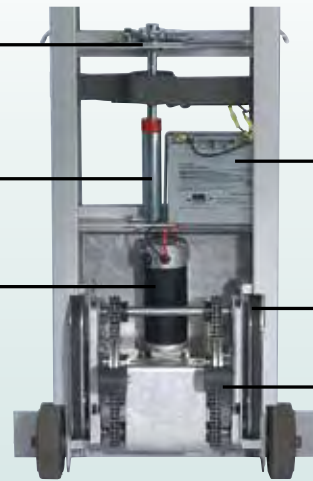
Auto-Rewind Assembly

Heavy Duty Motor and Geared Transmission

Rechargeable Battery

Continuous Tread Stair Climbers

2" Diameter Lifting Rollers on Sprocketed Drive Chains



STAIRKING OPTIONS



MSWK Superwheel Option



- Superwheel attachment installs in seconds.
- Equipped with 10" x 4" full pneumatic tires. Provides 4 wheel support and eases transport over rough surfaces.

OVERALL DIMENSIONS

w: 11.5"
h: 4.5"
d: 20.5"



NE-28 Steel Nose Extension Option



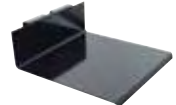
- Toe plate extension. Easily clips on to standard toe plate and provides 12" deep x 28" wide cargo surface.

OVERALL DIMENSIONS

w: 28"
h: 4"
d: 12"



SP-20 Platform Option slips onto WLF forks



- Platform attachment. Slides in place over winch lift forks to provide a 20" x 20" lifting platform.

OVERALL DIMENSIONS

w: 20"
h: 7"
d: 20"

| Part # | 230051 | 230052 |
|----------|-----------------|-----------------|
| Model | DC-66 | DC-72 |
| Capacity | 850 lbs | 850 lbs |
| Ratchet | Auto rewind | Auto rewind |
| Belt | 2 piece w/clasp | 2 piece w/clasp |
| Height | 66" tall frame | 72" tall frame |
| Weight | 101 lbs | 102 lbs |

| Part # | 270076 | 230055 | 260160 |
|-------------|-------------------|----------------------|------------------------|
| Model # | MSWK | NE-28 | SP-20 |
| Capacity | N/A | 850 lbs | 800 lbs |
| Description | Superwheel Option | Steel Nose Extension | Steel Slip on Platform |
| Weight | 19 lbs | 18 lbs | 20 lbs |



SINCE 1948

STAIRKING OPTIONS

Accessory Winch Lift for StairKing



DC-66 with WLF Option

WLF Winch Lift Option

- Optional aluminum winch lift attachment has 800 lb capacity.
- 3-1/2" swivel casters for 4 wheel support and mobility.
- Winch equipped with autobraking system.
- 18" forks, adjustable width 8.5" to 19" outside dimension.
- 57.25" lift height.
- Factory or field installation.

OVERALL DIMENSIONS

w: 25"
h: 70"
d: 30"



Battery Charger Cord

- Charge battery while driving between stops.
- Plugs into cigarette lighter.
- Cable length 20'.
- Standard A.C. charger is included with truck purchase.



KOW Kick-out Wheel

- Kick-Out 3.5" casters for four wheel stability.



AVT-61



AAP-61



AAP-612

Economical Aluminum Appliance and Vending Trucks

- **Exclusive Wesco ratchet design.**
- Lightweight aluminum frame with auto rewind ratchet.
- Model AAP-612 has double ratchet design for greater cargo security.
- Model AVT-61 has four wheel swing-out design to support heavy loads and help reduce the strain of balancing the cargo over long distances.
- 6" x 2" moldon rubber wheel, poly hub.
- Noseplate: 24" W x 5" D.

OVERALL DIMENSIONS

| | | |
|--------|-----|-----|
| w: 24" | 24" | 24" |
| h: 61" | 61" | 61" |
| d: 12" | 12" | 12" |

| Part # | 230053 | 230059 | 230060 |
|-------------|--------------------------------|----------------|---------------------------|
| Model # | WLF | KOW | BC |
| Capacity | 800 lbs | 850 lbs | N/A |
| Description | Aluminum Winch Lift Attachment | Kick-out Wheel | Cigarette Lighter Charger |
| Weight | 67 lbs | 14 lbs | 2 lbs |

| Part # | 272410 | 272411 | 272412 |
|----------|-----------------|------------------------|--------------------------|
| Model # | AAP-61 | AAP-612 | AVT-61 |
| Capacity | 550 lbs | 550 lbs | 550 lbs |
| Ratchet | Auto rewind | Auto rewind | Auto rewind |
| Belt | 2 piece w/clasp | double 2 piece w/clasp | 2 piece w/clasp |
| Wheel | 6" x 2" | 6" x 2" | 6" x 2" (2" x 1" caster) |
| Weight | 40 lbs | 43 lbs | 50 lbs |

Features:

- **Welded frame and handles for maximum strength.**
- **Non-marking grey vinyl on all contact surfaces securely mounted to truck.**
- **2" wide heavy duty web belt.**



Improved kick-out design allows operator to kick-out wheels with both hands on the truck.



WRV-66



WRC

Wesco Steel Vending Machine Trucks

- Retractable moldon rubber casters (3.5" diameter) help support load.
- Heavy duty 8" cast iron center moldon rubber wheels with roller bearings - #150120.
- Available with "Auto-Rewind" or "Manual" belt tightening systems.
- 28.5" from noseplate to center of belt.
- 60" and 66" frame - 3/4"-14 Ga. steel tube.
- 72" frame - 1"-14 Ga. steel tube.
- Noseplate 24" wide x 5" deep.

OVERALL DIMENSIONS

w: 24"
h: 60" or 66" or 72"
d: 14.5"

Wesco Steel Appliance Trucks

- All joints double welded for maximum durability.
- Rugged tubular steel construction.
- Available with "Auto-Rewind" or "Manual" belt tightening systems.
- Available with 6" x 2" wheels with 5/8" precision ball bearings.
- 26.5" from noseplate to center of belt.
- Noseplate 24" wide x 5" deep.

OVERALL DIMENSIONS

w: 24"
h: 59"
d: 10"

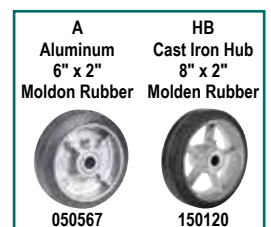
| Part # | 230035 | 230017 | 230036 | 230018 | 230037 | 230019 | 230010 | 230028 |
|----------|-----------|---------------|-----------|---------------|-----------|---------------|---------------|---------|
| Model # | WRV-60-EC | WRV-60 | WRV-66-EC | WRV-66 | WRV-72-EC | WRV-72 | WRC | WRC-EC |
| Capacity | 1,200 lbs | 1,200 lbs | 1,200 lbs | 1,200 lbs | 1,200 lbs | 1,200 lbs | 750 lbs | 750 lbs |
| Ratchet | Manual | Auto rewind | Manual | Auto rewind | Manual | Auto rewind | Auto rewind | Manual |
| Belt | 1 piece | 2 piece clasp | 1 piece | 2 piece clasp | 1 piece | 2 piece clasp | 2 piece clasp | 1 piece |
| Wheel | HB | HB | HB | HB | HB | HB | A | A |
| Height | 60" | 60" | 66" | 66" | 72" | 72" | 59" | 59" |
| Weight | 80 lbs | 80 lbs | 86 lbs | 86 lbs | 95 lbs | 95 lbs | 52 lbs | 52 lbs |

Super Wheel

Part #270075 Model # SSWK

- 10" pneumatic rear wheels .
- Quick and easy turnbuckle mounting system.
- Converts a 2 wheel truck into a 4 wheel truck.

Note: Cannot be used on 72" WRV-72 Models.





230074



230076

A Wesco Unique Design - Swivel casters may be deployed for easy steering and 4-wheel support



230020

Heavy Duty Vending Trucks

- **WHEEL LOCK FEATURE STANDARD:** Front wheels have wheel locks to allow truck to be placed in upright position without the danger of the truck rolling away from operator. Wheel lock is activated by a conveniently located lever at top of truck.
- In transport position load rests on (2) 10" poly hub moldon rubber wheels and (2) 5" poly hub moldon rubber front wheels.
- Rear main wheel design allows truck to be tilted back to clear doorways. Especially useful with tall vending machines or other tall cargo.
- Available in 72" and 78" heights.
- 2 webbed cargo belts with ratchet tighteners for maximum load security.
- Constructed of heavy duty 1" diameter steel tubing.
- Noseplate - 5" D x 24" W x .25" thick.
- Tilts back at 49° angle.

OVERALL DIMENSIONS

| | |
|--------|-----|
| w: 27" | 27" |
| h: 72" | 78" |
| d: 17" | 17" |

Heavy Duty Auto-Rewind Appliance Truck with Swivel Casters

- Truck can be used in 2-wheel or 4-wheel mode.
- Dynamic lever activated fulcrum system – fulcrum point changes as truck is tilted to decrease break-over effort.
- Swivel caster carriage kickout for four wheel support, lever release.
- 10" poly hub main wheels, 6" rear swivel casters.
- Available in 72" and 78" heights.
- 2 webbed cargo belts with ratchet tighteners for maximum load security.
- Constructed of heavy duty 1" diameter steel tubing.
- Noseplate - 5" D x 24" W x .25" thick.

OVERALL DIMENSIONS

| | |
|--------|-----|
| w: 27" | 27" |
| h: 72" | 78" |
| d: 16" | 16" |

Wesco Steel Vending Truck

- Dual handle control.
- 12" pneumatic wheels for rough terrain - #108484.
- Welded steel frame.
- One piece belt.
- 47" from noseplate to center of belt.
- 55" height.
- Noseplate - 4.94" D x 25" W x .25" thick.

OVERALL DIMENSIONS

| |
|----------|
| w: 28.5" |
| h: 55" |
| d: 20" |

| Part # | 230074 | 230075 | 230076 | 230077 | 230020 |
|-----------|-----------------|-----------------|-----------------|-----------------|---------------|
| Model # | HDSV-72 | HDSV-78 | WRV-MAX-72 | WRV-MAX-78 | L-1 |
| Capacity | 1,800 lbs | 1,800 lbs | 1,800 lbs | 1,800 lbs | 700 lbs |
| Ratchet | Auto Rewind | Auto Rewind | Auto rewind | Auto rewind | N/A |
| Belt | 2 piece w/clasp | 2 piece w/clasp | 2 piece w/clasp | 2 piece w/clasp | 1 piece clasp |
| Wheel | 10" x 2.5" Poly | 10" x 2.5" Poly | 10" x 2.5" Poly | 10" x 2.5" Poly | P-12 |
| Noseplate | 24"W x5"D | 24"W x5"D | 24"W x5"D | 24"W x5"D | 25"W x 5.2"D |
| Weight | 126 lbs | 129 lbs | 120 lbs | 130 lbs | 62 lbs |

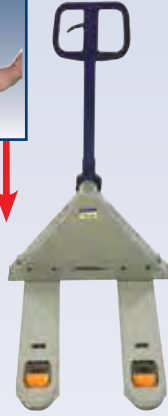


WESCO DELUXE PALLET TRUCKS

ADJUSTABLE FORK WIDTHS
Two sizes of width, 16" - 20" and 21" - 27". Just loosen and reset front and rear adjusting bolts. **A Wesco exclusive. One truck to do the work of two!**



27" Fork Width Setting



21" Fork Width Setting

272744

Deluxe Adjustable Fork Model

- **5 year pump warranty.**
- **US Patent No. 6,808,357.**
- Available in 16" or 21" widths.
- 7" non-marking moldon polyurethane steering wheel.
- 3" non-marking moldon polyurethane load wheels.
- 7.75" raised height; 3" lowered height.
- 6" wide gauge forks.
- 200° steering radius.

Deluxe Models feature 5 year pump warranty and 5,500 lb. capacity plus:

- Pump overload bypass.
- Rubber coated handle.
- Adjustable fork tie rods.
- Exit rollers
- 200° steering.
- Tapered fork tips.
- 8 gauge 6" wide reinforced forks.
- Non-marking.



Deluxe Quick Lift Model

- **5 year pump warranty.**
- **US Patent No. 9,102, 346.**
- Fastest/quickest lift on the market.
- Just step on the pedal. **No Pumping.** Lifts to 4.5".
- 7" non-marking moldon polyurethane steering wheel.
- 3" non-marking moldon polyurethane load wheels.
- All the same features and dimensions as Standard Deluxe models.
- Normal pump operation when load exceeds 300 lbs.
- 200° steering radius.



272766

Foot Pump

Foot pedal gives you the option of using the foot pedal to raise the forks when space constraints make it difficult to use the standard handle to raise the load. **NO EXTRA COST**

LOOK



Deluxe Foot Pump Model

- **5 year pump warranty.**
- 7" non-marking moldon polyurethane steering wheel.
- 3" non-marking moldon polyurethane load wheels.
- All the same features and dimensions as Standard Deluxe Model 272748.
- 6" wide gauge forks.
- 200° steering radius.

| Part # | 272744 | 272747 | 272746 | 272861 | 272766 |
|-----------------|------------------|------------------|------------------|-----------------------|---------------|
| Capacity | 5,500 lbs | 5,500 lbs | 5,500 lbs. | 5,500 lbs /300 lb Q.L | 5,500 lbs |
| W-1 x L-1 | 21"-27" x 48" | 16" -20" x 36" | 16" -20" x 48" | 27" x 48" | 27" x 48" |
| W-2 | 6" | 6" | 6" | 6" | 6" |
| L-2 | 61" | 51" | 61" | 63" | 63" |
| WHL-1 / WHL-2 | 7" / 3" | 7" / 3" | 7" / 3" | 7" / 3" | 8" / 3" |
| H-1 / H-2 / H-3 | 47" / 3" / 7.75" | 47" / 3" / 7.75" | 47" / 3" / 7.75" | 48" / 3" / 8" | 48" / 3" / 8" |
| Weight | 180 lbs | 147.5 lbs | 157 lbs | 166 lbs | 170 lbs |

Deluxe Lowboy Models

- **5 year pump warranty.**
- **2.125" lowered height.**
- 6" non-marking moldon polyurethane steering wheel.
- 2" steel load wheels.
- 6.25" raised height.
- 6" wide gauge forks.
- 200° steering radius.



Lowered height - 2.125"

272765

Standard Deluxe Models

- **5 year pump warranty.**
- 8" non-marking moldon polyurethane steering wheel.
- 3" non-marking moldon polyurethane load wheels.
- 8" raised height.
- 3" lowered height.
- 6" wide forks.
- 200° steering radius.

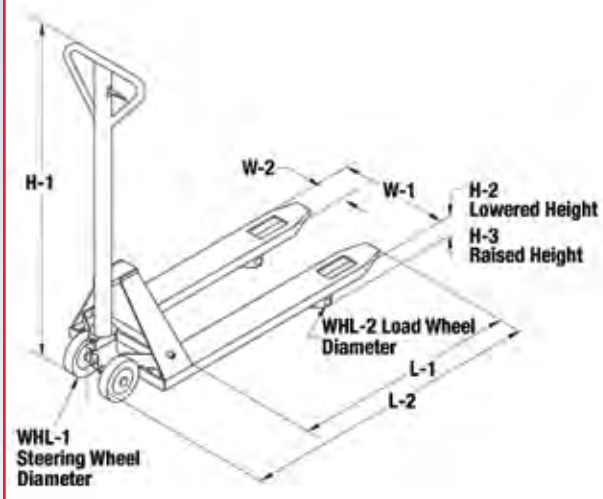


272748

| Part # | 272760 | 272761 | 272762 | 272765 | 272136 | 272142 | 272148 | 272736 | 272742 | 272748 |
|-----------------|------------------------|------------------------|------------------------|------------------------|---------------|---------------|---------------|---------------|---------------|---------------|
| Capacity | 5,500 lbs | 5,500 lbs | 5,500 lbs | 5,500 lbs | 5,500 lbs | 5,500 lbs | 5,500 lbs | 5,500 lbs | 5,500 lbs | 5,500 lb |
| W-1 x L-1 | 21" x 36" | 21" x 42" | 21" x 48" | 27" x 48" | 21" x 36" | 21" x 42" | 21" x 48" | 27" x 36" | 27" x 42" | 27" x 48" |
| W-2 | 6" | 6" | 6" | 6" | 6" | 6" | 6" | 6" | 6" | 6" |
| L-2 | 51" | 57" | 63" | 63" | 51" | 57" | 63" | 51" | 57" | 63" |
| WHL-1 / WHL-2 | 6" / 2" | 6" / 2" | 6" / 2" | 6" / 2" | 8" / 3" | 8" / 3" | 8" / 3" | 8" / 3" | 8" / 3" | 8" / 3" |
| H-1 / H-2 / H-3 | 46.5" / 2.125" / 6.25" | 46.5" / 2.125" / 6.25" | 46.5" / 2.125" / 6.25" | 46.5" / 2.125" / 6.25" | 48" / 3" / 8" | 48" / 3" / 8" | 48" / 3" / 8" | 48" / 3" / 8" | 48" / 3" / 8" | 48" / 3" / 8" |
| Weight | 134 lbs | 143 lbs | 148 lbs | 157 lbs | 143 lbs | 152 lbs | 157 lbs | 151 lbs | 161 lbs | 166 lbs |

SEE PAGE 45 FOR SCHEMATIC DRAWING.

REFERENCE SCHEMATIC FOR PAGES 44 & 45



**Pallet Truck
Chock:
High
Visibility
Yellow**



**FOR MORE PALLET TRUCK OPTIONS
(Chocks and Guards) see page 54.**



272660

CPI Pallet Truck

- **2 year pump warranty.**
- **4 mm thick forks.**
- Adjustable fork connecting rods.
- Overload bypass.
- Rubber coated handle.

- 7" moldon polyurethane steering wheels.
- 3" moldon polyurethane load wheels.
- Entry and Exit Rollers.
- 6.25" wide forks.
- 210° steering radius.
- **NEW 18" wide fork model #272854.**



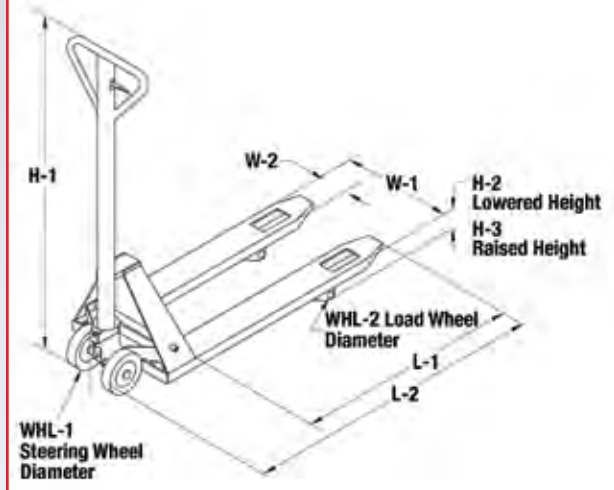
273448

CP3 Pallet Truck

- **2 year pump warranty.**
- **3 mm thick forks.**
- Adjustable fork connecting rods.
- Overload bypass.
- Rubber coated handle.
- 7" moldon polyurethane steering wheels.
- 3" moldon polyurethane load wheels.
- Entry and Exit Rollers.
- 210° steering radius.

| Part # | 272854 | 272655 | 272656 | 272657 | 272658 | 272659 | 272660 | 273453 | 273454 | 273448 |
|-----------------|-----------------------|-----------------------|-----------------------|-----------------------|-----------------------|-----------------------|-----------------------|-----------------------|-----------------------|-----------------------|
| Capacity | 5,500 lbs | 5,500 lbs | 5,500 lbs | 5,500 lbs | 5,500 lbs | 5,500 lbs | 5,500 lbs | 5,500 lbs | 5,500 lbs | 5,500 lbs |
| W-1 x L-1 | 18" x 48" | 21" x 36" | 21" x 42" | 21" x 48" | 27" x 36" | 27" x 42" | 27" x 48" | 21" x 36" | 21" x 48" | 27" x 48" |
| W-2 | 6.25" | 6.25" | 6.25" | 6.25" | 6.25" | 6.25" | 6.25" | 6.25" | 6.25" | 6.25" |
| L-2 | 63" | 51" | 57" | 63" | 51" | 57" | 63" | 51" | 63" | 63" |
| WHL-1 / WHL-2 | 7" / 3" | 7" / 3" | 7" / 3" | 7" / 3" | 7" / 3" | 7" / 3" | 7" / 3" | 7" / 3" | 7" / 3" | 7" / 3" |
| H-1 / H-2 / H-3 | 48.25" / 29" / 17.25" | 48.25" / 29" / 17.25" | 48.25" / 29" / 17.25" | 48.25" / 29" / 17.25" | 48.25" / 29" / 17.25" | 48.25" / 29" / 17.25" | 48.25" / 29" / 17.25" | 48.25" / 29" / 17.25" | 48.25" / 29" / 17.25" | 48.25" / 29" / 17.25" |
| Weight | 171 lbs | 153 lbs | 161.5 lbs | 169.5 lbs | 162 lbs | 171 lbs | 180 lbs | 139 lbs | 152.5 lbs | 164.5 lbs |

REFERENCE SCHEMATIC FOR PAGES 46 & 47



272778



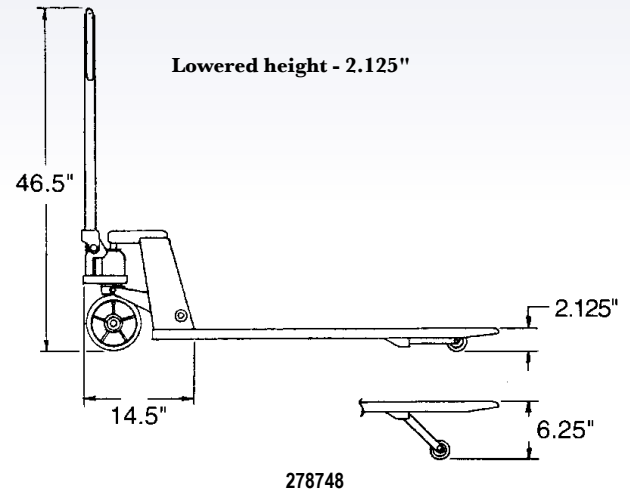
272670

CPIIHD Pallet Truck

- 3 year pump warranty.
- High capacity rating.
- Adjustable fork connecting rods.
- Entry/exit rollers.
- Overload bypass.
- Reinforced forks - 4mm thick.
- Rubber coated handle.
- 7" wide forks.
- 8" moldon polyurethane or 8" nylon steering wheels.
- 3" moldon polyurethane load wheels.
- 180° steering radius.

CPII Pallet Truck

- 3 year pump warranty.
- 2 Models - polyurethane or nylon wheels.
- Adjustable fork connecting rods.
- Entry/exit rollers.
- Overload bypass.
- Reinforced forks - 11 Gauge.
- Rubber coated handle.
- Raised height: 8". Lowered height: 3".
- 7" wide forks.
- 8" moldon polyurethane or 8" nylon steering wheels.
- 3" moldon polyurethane or nylon load wheels.
- 180° steering radius.



278748

CPII Lowboy Pallet Truck

- 3 year pump warranty.
- Many features are the same as CPII.
- Lowered height of 2.125".
- 7" wide 4mm thick forks.
- 7" moldon polyurethane steering wheels.
- 2" steel load wheels.
- 180° steering radius.

Polyurethane Wheels

Nylon Wheels

LOOK

| Part # | 272777 | 272778 | 272775 | 272776 | 272670 | 278136 | 278142 | 278148 | 278748 |
|-----------------|---------------|---------------|---------------|---------------|---------------|------------------------|------------------------|------------------------|------------------------|
| Capacity | 5,500 lbs | 5,500 lbs | 5,500 lbs | 5,500 lbs | 6,600 lbs | 4,400 lbs | 4,400 lbs | 4,400 lbs | 4,400 lbs |
| W-1 x L-1 | 21" x 48" | 27" x 48" | 21" x 48" | 27" x 48" | 27" x 48" | 21" x 36" | 21" x 42" | 21" x 48" | 27" x 48" |
| W-2 | 7" | 7" | 7" | 7" | 7" | 7" | 7" | 7" | 7" |
| L-2 | 63" | 63" | 63" | 63" | 63" | 51" | 57" | 63" | 63" |
| WHL-1 / WHL-2 | 8" / 3" | 8" / 3" | 8" / 3" | 8" / 3" | 8" / 3" | 7" / 2" | 7" / 2" | 7" / 2" | 7" / 2" |
| H-1 / H-2 / H-3 | 48" / 3" / 8" | 48" / 3" / 8" | 48" / 3" / 8" | 48" / 3" / 8" | 48" / 3" / 8" | 46.5" / 2.125" / 6.25" | 46.5" / 2.125" / 6.25" | 46.5" / 2.125" / 6.25" | 46.5" / 2.125" / 6.25" |
| Weight | 170 lbs | 176 lbs | 159.5 lbs | 169 lbs | 220 lbs | 226 lbs | 235 lbs | 240 lbs | 249 lbs |



272936

NOT FOR LEGAL TRADE



**Pallet Truck
Chock:
High
Visibility
Yellow**



**FOR MORE PALLET TRUCK OPTIONS
(Chocks and Guards) see page 54.**



273384

Scale Truck

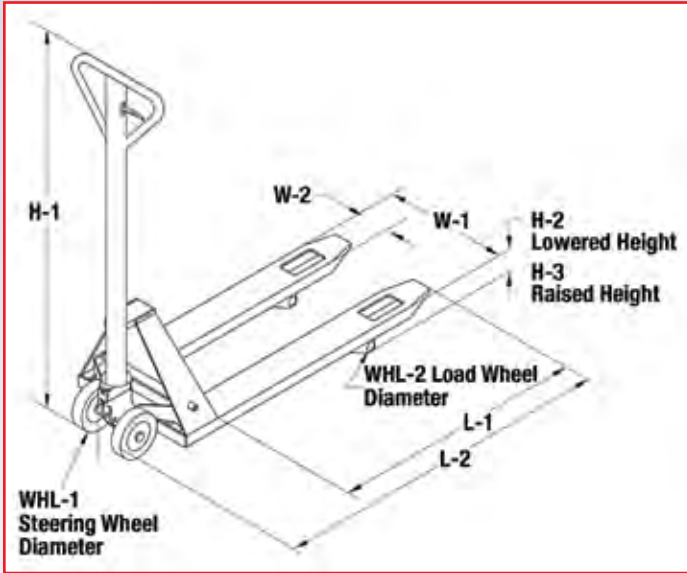
- **NOT FOR LEGAL TRADE.**
- **2 year pump warranty.**
- Weighing accuracy ± 4.4 lbs., or 2.0 Kg.
- LED display scale.
- Mettler-Toledo Hawk scale/sensor.
- UL approved scale operates on rechargeable battery. May be plugged into AC and used while recharging.
- Replacement Battery Pack **#272849.**
- Self-contained battery charger.
- Three position hand control.
- 205° steering radius.
- 7" wide forks.
- 7" moldon polyurethane steering wheels.
- 3" moldon polyurethane load wheels.

Powered Scale Truck

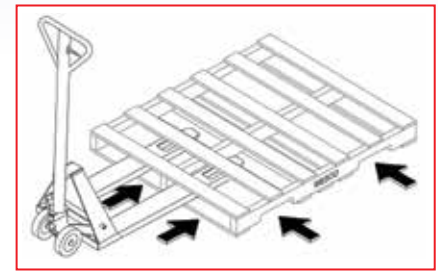
- **NOT FOR LEGAL TRADE.**
- **1 year warranty: DC motor drive, hydraulic pump, controllers and switches.**
- **90-day parts warranty.**
- Built-in battery charger.
- Two 12V-91Ah batteries.
- Requires higher fork clearance. Minimum 3.75" from floor to underside of skid.
- Pallets with bottom board require 4" clearance between top and bottom boards.
- **Part #170015** - Powered Scale Truck without battery.
- Weighing accuracy +/- .22 lbs, or 3.5 oz.
- 6 digit LED display.
- Display uses four "C" sized batteries.

| Part # | 272936 | 272938 | 273384 |
|---------------|--------------------|--------------------|--|
| Model # | SPT27 | SPT22 | PST |
| Capacity | 5,000 lbs | 5,000 lbs | 2,900 lbs |
| W-1 x L-1 | 27.5" x 47.5" | 22.5" x 47.5" | 26.5" x 47" |
| W-2 | 7" | 7" | 6.8" |
| L-2 | 62.5" | 62.5" | 64" |
| WHL-1 / WHL-2 | 7" / 3" | 7" / 3" | 8" / 3" |
| H-1/H-2/H-3 | 48.25" / 2.9" / 8" | 48.25" / 2.9" / 8" | 57.5" / 3.5" / 8.25" |
| Weight | 336 lbs | 314 lbs | 728 lbs w/battery 613 lbs w/out battery |

SEE PAGE 46 FOR SCHEMATIC DRAWING.



273400



4-Way Pallet Truck

- 3 year pump warranty.
- Overload bypass.
- Reinforced forks - 4mm thick.
- Rubber coated handle.
- 180° steering radius.
- Can enter pallet from all 4 sides.
- Adjustable fork connecting rods.
- Steel 1.70" load wheels.
- 6" polyurethane steering wheels.

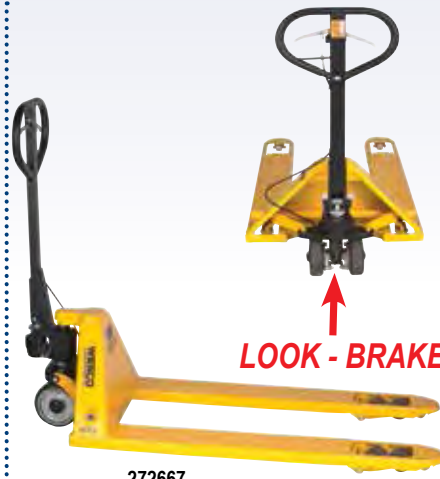


272149

MOST ECONOMICALLY PRICED PALLET TRUCK

Economizer Pallet Truck

- 1 year pump warranty.
- Fingertip control: raise - neutral - lower.
- Polyurethane load and steering wheels.
- 190° steering radius.
- 6" wide 3mm thick forks.



272667

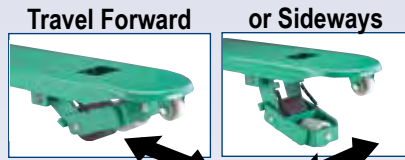
LOOK - BRAKE

Pallet Truck With Hand Brake

- 2 year pump warranty.
- All the same features as the CPI model.
- 6" wide forks.
- 7" moldon rubber steering wheels.
- 3" moldon polyurethane load wheels.
- Disc brake.
- Tandem load wheels.
- Nylon entry rollers.
- 210° steering radius.

| Part # | 272149 | 272667 | 273400 |
|-----------------|----------------------|-----------------------|------------------|
| Capacity | 4,400 lbs | 5,500 lbs | 4,000 lbs |
| W-1 x L-1 | 27" x 48" | 27" x 48" | 33" x 48" |
| W-2 | 6" | 6" | 7" |
| L-2 | 63" | 63" | 63.5" |
| WHL-1 / WHL-2 | 6.25" / 3" | 7" / 3" | 6" / 1.70" |
| H-1 / H-2 / H-3 | 48.25" / 2.9" / 7.5" | 48.25" / 2.9" / 7.25" | 47" / 1.75" / 6" |
| Weight | 136 lbs | 206 lbs | 241 lbs |

UNIQUE DESIGN TRANS-ROLLER TRUCKS MOVE FORWARD OR SIDWAYS



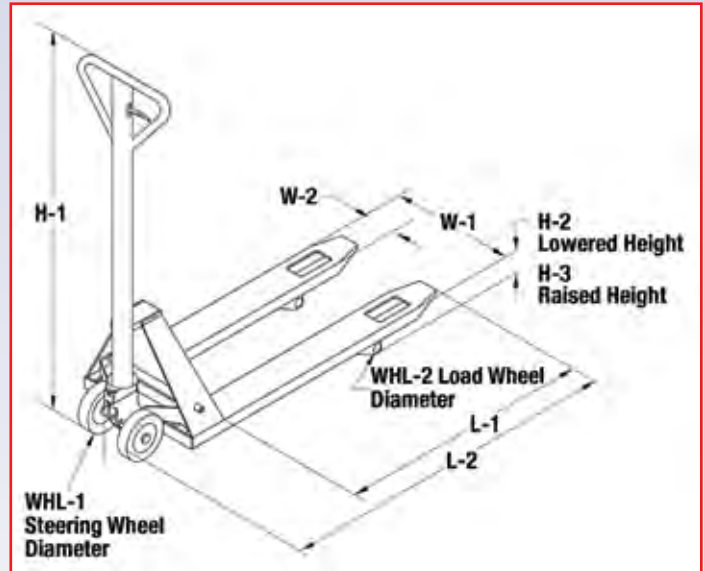
Unique side rolling pallet truck



272740

TransRoller Pallet Truck

- 3 year pump warranty.
- Lowered height 3.4".
Raised height 8.5".
- Fork height in standard mode 3.4" lowered, 7" raised.
- Fork height for lateral movement 7.25" lowered, 8.5" raised.
- Adjustable fork connecting rods.
- Overload bypass.
- Ergonomic rubber coated handle.
- Nylon entry rollers.
- 7" wide forks.
- 8" moldon polyurethane steering wheels.
- 3" moldon polyurethane load wheels.
- 210° steering radius.



272701

Long Fork Pallet Truck

- 2 year pump warranty.
- Pump, load wheels and steering wheels same as CPI model.
- Overload bypass.
- Rubber coated handle.
- 7" moldon polyurethane steering wheels.
- 3" moldon polyurethane load wheels.
- 78" and 98" forks handle 2 standard size pallets.
- Nylon entry rollers.
- 210° steering radius.



272855

Galvanized Truck

- 1 year pump warranty.
- 7" nylon steering wheels.
- 3" nylon load wheels.
- Galvanized frame and handle.
- Nylon entry rollers.
- 210° steering radius.
- Comfort-grip coated handle.



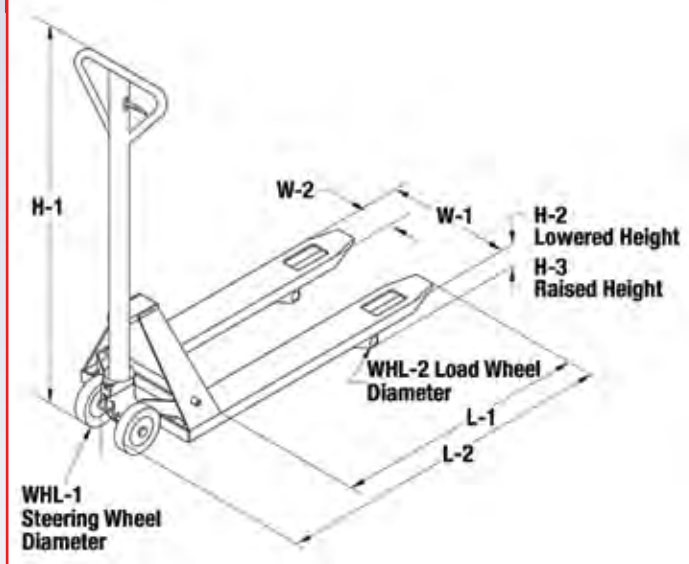
272152

Stainless Steel Pallet Truck

- 1 year pump warranty.
- For use in food industry and areas where corrosive solutions are needed.
- 6 1/4" wide forks.
- 7" nylon steering wheels.
- 3" nylon load wheels.
- Nylon entry rollers.
- 210° steering radius.
- Comfort-grip coated handle.

| Part # | 272740 | 273585 | 272701 | 273519 | 273586 | 272855 | 272152 |
|---------------|--|---------------|---------------|---------------|---------------|--------------------|--------------------|
| Model # | | PT59 | PT70 | PT78 | PT98 | GPT | SSPT |
| Capacity | Standard - 5,000 lbs/ Lateral 2,200 lbs | 4,400 lbs | 4,400 lbs | 4,400 lbs | 3,300 lbs | 5,500 lbs | 5,500 lbs |
| W-1 x L-1 | 27" x 48" | 27" x 59" | 27" x 70" | 27" x 78" | 27" x 98" | 27" x 48" | 27" x 48" |
| W-2 | 7" | 6" | 6" | 6" | 6" | 6.25" | 6.25" |
| L-2 | 63" | 75" | 86" | 93" | 114" | 62.5" | 62.5" |
| WHL-1 / WHL-2 | 8" / 3" | 7" / 3" | 7" / 3" | 7" / 3" | 7" / 3" | 7" / 3" | 7" / 3" |
| H-1/H-2/H-3 | Std. mode - 48" / 3.4" / 7" Lateral mode - 48" / 3.4" / 8.5" | 48" / 3" / 7" | 49" / 3" / 8" | 49" / 3" / 8" | 48" / 3" / 7" | 47.5" / 3" / 7.25" | 47.5" / 3" / 7.25" |
| Weight | 210 lbs | 220 lbs | 244 lbs | 256 lbs | 347 lbs | 155 lbs | 164 lbs |

REFERENCE SCHEMATIC FOR PAGES 50 & 51



272950

Ergonomic Pallet Tilter

- 1 year pump warranty.
- 5" polyurethane swivel casters and 3" polyurethane load wheels.
- Handle height: 44 1/4"
- Load center: min 7 1/2", max. 15 1/2".
- Lifting range with forks in horizontal position: 3 1/4" to 11".
- Forks tilt up to 90° for accurate load positioning.
- Lifting range with back rest in horizontal position: 29" to 37".
- 6 1/2" wide forks.



273250

Drum Pallet Truck

- 1 year pump warranty.
- For 55-gallon steel drums.
- Lifts drum 4" off ground.
- 8" x 2" nylon steering wheels.
- 3" x 1" nylon load wheels.
- Drum ring raised height - 14.5"
- Drum ring lowered height - 10.25"



272153

Pallet Lifter

- 1 year pump warranty.
- Heavy duty steel construction.
- Pallets with bottom boards must be placed on top of forks.
- 6 1/2" wide forks.
- 6" polyurethane swivel casters.
- 2" polyurethane load wheels.



273286

Semi-Electric Pallet Truck

- 1 year pump warranty.
- Manual lift, power drive.
- Lowered/raised fork height: 3" / 7.5".
- 10" polyurethane drive wheel.
- 3" polyurethane load wheels.
- Speed: 1.6 - 2.4 mph with load.
- 2 batteries - 24V 38Ah.
- 24 volt 8 amp built-in charger.
- 61" steering radius.
- Two fork widths - 20.5" and 27".



273289

Heavy Duty Semi-Electric Pallet Truck

- 1 year pump warranty.
- Manual lift.
- Lowered/raised fork height: 3" / 7".
- 7.25" x 2" polyurethane drive wheel.
- 3" polyurethane load wheels.
- Speed: 2.80 mph with load.
- 2 batteries - 24V 38Ah.
- 24 volt 8 amp charger.
- 62" steering radius.

| Part # | 272950 | 273250 | 272153 | 273288 | 273286 | 273289 |
|-----------------|----------------------|------------------|------------------|-------------------|-------------------|------------------|
| Model # | ERPT | PTDL | PLFTR | SEPT2.2-20.5 | SEPT2.2-27 | SEPT3.3 |
| Capacity | 2,200 lbs | 660 lbs | 1,100 lbs | 2,200 lbs | 2,200 lbs | 3,300 lbs |
| W-1 x L-1 | 21.5" x 31" | 28.5" x 26" | 27" x 44" | 20.5" x 48" | 27" x 48" | 27" x 48" |
| W-2 | 6.5" | 2.5" | 6.5" | 6.25" | 6.25" | 6.25" |
| L-2 | 51.67" | 41" | 61.5" | 65.75" | 65.75" | 69" |
| WHL-1 / WHL-2 | 5" / 3" | 8" / 3" | 6" / 2" | 10" / 3" | 10" / 3" | 7.25" / 3" |
| H-1 / H-2 / H-3 | 44.25" / 3.25" / 11" | 47.75" / 3" / 8" | 40" / 3.5" / 35" | 48.5" / 3" / 7.5" | 48.5" / 3" / 7.5" | 54" / 3" / 7" |
| Weight | 392 lbs | 115 lbs | 258 lbs | 397 lbs | 402 lbs | 518 lbs |

Manual High Lifts

- 1 year pump warranty.
- Two models: Telescoping and Non-Telescoping.
- Moldon polyurethane wheels.
- Loop handles with inside hand control.
- Closed pallets must be placed on top of forks.
- 180° steering radius.
- Comfort coated handles.
- Two stage pump with Quick Lift.



Quick Lift
setting allows operator to raise the forks with fewer strokes. (See chart below.)

Stainless Steel Manual High Lift #272859

- 1 year pump warranty.
- 3" nylon load (WHL-2) and 8" nylon steering (WHL-1) wheels.
- 180° steering radius.
- 304 stainless steel construction, except for 316 stainless forks.



Stainless Model Available

272859
Stainless Steel Manual High Lift

304 Stainless Steel

| Part # | 272859 | 272755 | 272754 | 272462 | 272463 | 272975 | 272976 |
|--|----------------|------------------|------------------|------------------|------------------|------------------|------------------|
| Model # | SSTHL27M | TSHL21 | TSHL27 | NTSHL21 | NTSHL27 | TSHL20-33 | TSHL27-33 |
| Capacity | 2,200 lbs | 2,200 lbs | 2,200 lbs | 2,200 lbs | 2,200 lbs | 3,300 lbs | 3,300 lbs |
| W-1 x L-1 | 27" x 46" | 21" x 44.5" | 27" x 44.5" | 21" x 44.5" | 27" x 44.5" | 20" x 43" | 27" x 43" |
| W-2 | 6.5" | 6.5" | 6.5" | 6.5" | 6.5" | 6.5" | 6.5" |
| L-2 | 61" | 63" | 63" | 56" | 56" | 63" | 63" |
| WHL-1 / WHL-2 | 8" / 3" | 6" / 3" | 6" / 3" | 6" / 3" | 6" / 3" | 6" / 3" | 6" / 3" |
| H-1/H-2/H-3 | 48"/3.3"/31.5" | 48.5"/3.6"/31.5" | 48.5"/3.3"/31.5" | 48.5"/3.3"/31.5" | 48.5"/3.6"/31.5" | 48.5"/3.6"/31.5" | 48.5"/3.6"/31.5" |
| Telescoping | Yes | Yes | Yes | No | No | Yes | Yes |
| Weight | 278 lbs | 219 lbs | 228 lbs | 275 lbs | 300 lbs | 260 lbs | 276 lbs |
| # OF PUMP STROKES TO REACH FULL HEIGHT | | | | | | | |
| Quick Lift | 28 | 28 | 28 | 28 | 28 | 21 | 21 |
| Standard | 69 | 67 | 67 | 35 | 35 | 63 | 63 |

Electric High Lifts

- 1 year pump warranty.
- Two models: Telescoping and Non-Telescoping.
- 12 volt battery charger included.
- 10-12 second lift time unloaded.
- Overload bypass.
- Polyurethane wheels.
- 180° steering radius.
- Comfort coated handles.
- 6 1/2" wide forks.
- 6" moldon polyurethane steering wheels.
- 3" moldon polyurethane load wheels.



272937
Telescoping Models - charger separate.



272461
Non-Telescoping Models - charger built in.

Stainless Steel Electric High Lift #272860

- 1 year pump warranty.
- 3" nylon load (WHL-2) and 8" nylon steering (WHL-1) wheels.
- 180° steering radius.
- 304 stainless steel construction, except for 316 stainless forks.



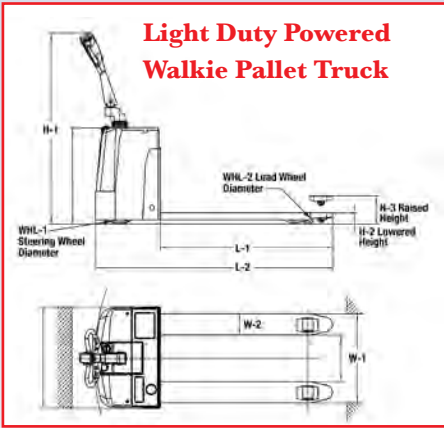
272860
Stainless Steel Electric High Lift



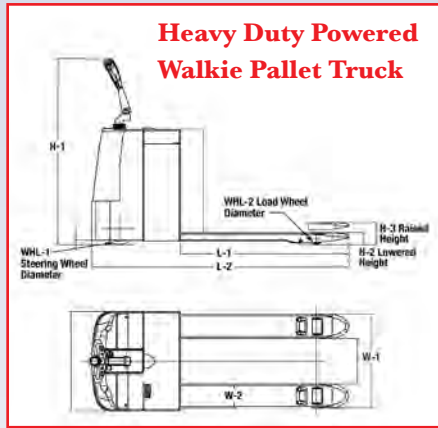
Stainless Model Available

304 Stainless Steel

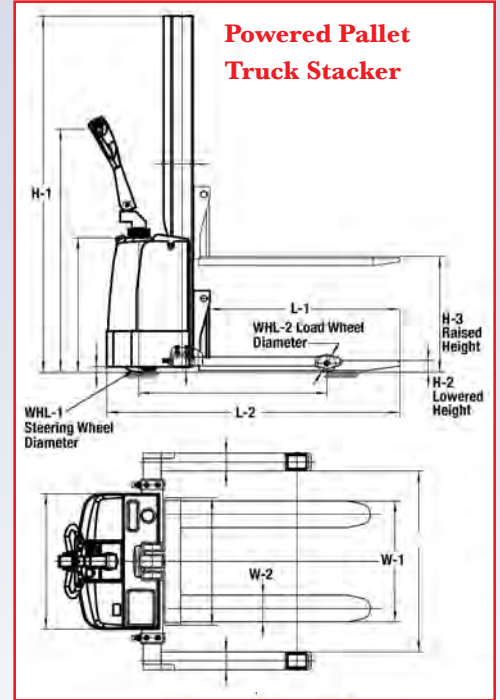
| Part # | 272860 | 272939 | 272937 | 272460 | 272461 |
|---------------|----------------|----------------|----------------|----------------|----------------|
| Model # | SSTHL27E | TEHL21 | TEHL27 | NTEHL21 | NTEHL27 |
| Capacity | 2,200 lbs | 3,000 lbs | 3,000 lbs | 2,200 lbs | 2,200 lbs |
| W-1 x L-1 | 27" x 46" | 21" x 45" | 27" x 45" | 21" x 45" | 27" x 45" |
| W-2 | 6.5" | 6.5" | 6.5" | 6.5" | 6.5" |
| L-2 | 61" | 60" | 60" | 60" | 63" |
| WHL-1 / WHL-2 | 8" / 3" | 6" / 3" | 6" / 3" | 6" / 3" | 6" / 3" |
| H-1/H-2/H-3 | 48"/3.3"/31.5" | 48.5"/3.3"/31" | 48.5"/3.3"/31" | 48.5"/3.3"/31" | 48.5"/3.3"/31" |
| Telescoping | Yes | Yes | Yes | No | No |
| Weight | 329 lbs | 344 lbs | 347 lbs | 367 lbs | 372 lbs |



Light Duty Powered Walkie Pallet Truck



Heavy Duty Powered Walkie Pallet Truck



Powered Pallet Truck Stacker



273386

Heavy Duty Powered Walkie Pallet Truck

- **1 year warranty: DC motor drive, hydraulic pump, controllers and switches.**
- **90 day parts warranty.**
- Three 8V/195 Ah batteries and charger.
- Turn radius of 65.5".
- Lift speed under load: 1.36"/second.
- Lowering speed under load: 1.36"/second.
- Ergonomic handle with:
 - throttle with forward and reverse speeds
 - lift/lower controls
 - belly reverse safety button
 - horn
 - electromagnetic disk brake with automatic dead-man feature when handle is released.
- Key operated.
- 10" polyurethane steering and 3" polyurethane load wheels.

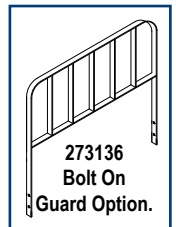
Powered Pallet Truck Stacker

- **1 year warranty: DC motor drive, hydraulic pump, controllers and switches.**
- **90 day parts warranty.**
- Two 12V/106Ah batteries.
- Built-in 12V/15A charger.
- Turn radius of 53.5".
- Lift speed under load: 3"/second.
- Lowering speed under load: 4"/second.
- Ergonomic handle with:
 - throttle with forward and reverse speeds
 - lift/lower controls
 - belly reverse safety button
 - horn
 - electromagnetic disk brake with automatic dead-man feature when handle is released.
- Key operated.
- 10" polyurethane steering and 3" polyurethane load wheels.
- Adjustable forks.
- Adjustable outriggers - 38" - 52".
- **Optional guard available. Bolt on configuration. #273136.**



273129

Shown with
Optional Bolt On Guard
(#273136).



273136
Bolt On
Guard Option.

Part # - truck + battery + charger

273382

273129

Part # - truck - no battery

170013*

Capacity

4,400 lbs

2,200 lbs

W-1 x L-1

26.5" x 45"

32" x 45"

W-2

6.8"

4"

L-2

73.75"

69.5"

WHL-1 / WHL-2

10" / 3"

10" / 3"

H-1/H-2/H-3

59" / 3.3" / 8"

77.6" / 1.6" / 60"

Truck Weight with Battery

1,370 lbs

1,490 lbs

Truck Weight without Battery

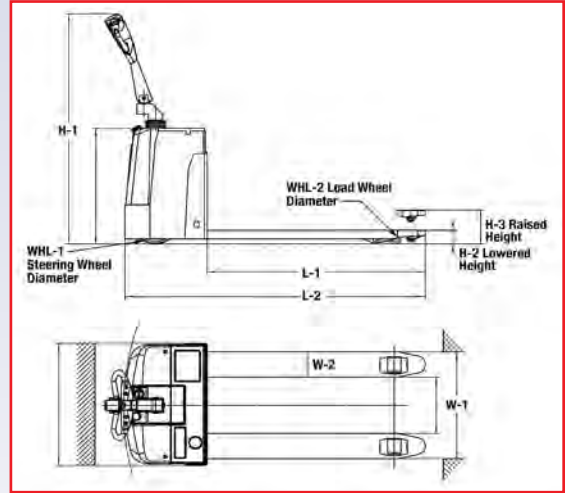
860 lbs

N/A



SINCE 1948

*Charger not included.



Light Duty
273445



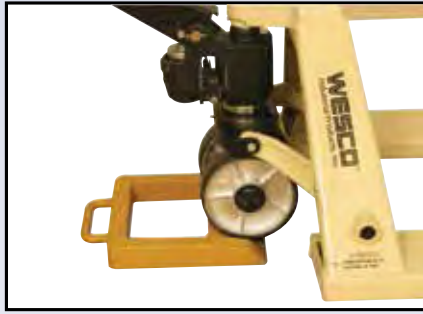
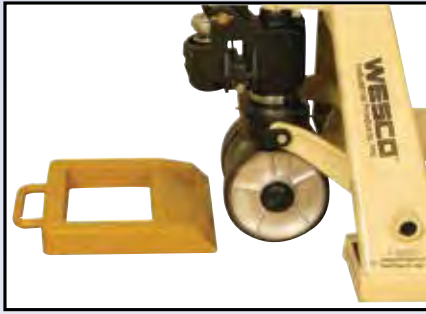
Heavy Duty
273446

Power Pallet Trucks

- 1 year warranty: AC drive, hydraulic pump, controllers and switches.
- 90-day parts warranty.
- Trucks sold complete with battery and charger.
- Ergonomic control handle with:
 - throttle forward and reverse speeds
 - lift and lower controls
 - horn
 - belly reverse safety button
 - electromagnetic disc brake with automatic dead-man feature when handle is released.

| Part # | 273445 | 273446 |
|-----------------|-------------------------|----------------------|
| Capacity | 3,300 lbs | 4,400 lbs |
| W-1 x L-1 | 25.5" x 48" | 27" x 48" |
| W-2 | 6.25" | 6.25" |
| L-2 | 65" | 72" |
| WHL-1 / WHL-2 | 10" x 3.5" / 3" x 3.75" | 9" x 3" / 3" x 3.75" |
| H-1 / H-2 / H-3 | 50" / 3" / 7.67" | 50" / 3" / 7.67" |
| Battery | (2) 12V 80Ah | 24V 210 Ah |
| Steering Angle | 205° | 180° |
| Weight | 631 lbs | 1,147 lbs |

EASY AS 1-2-3-GO!



Two Models to Secure Your Pallet Jack

- Both models function well on any surface and will resist slipping.
- To secure pallet jack, simply roll steering wheels up the pallet jack stop or chock incline and into holding area.

Pallet Jack Stop

- Material: black hard rubber.

Part # 272949

Weight 3.5 lbs

OVERALL DIMENSIONS

w: 11.75"
h: 2"
d: 14"



Pallet Truck Chock - High Visibility Yellow

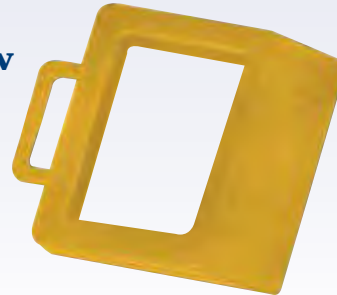
- Material: yellow hard rubber.

Part # 272175

Weight 3.4 lbs

OVERALL DIMENSIONS

w: 11.75"
h: 2"
d: 14"



3 in 1 Guard Adapter

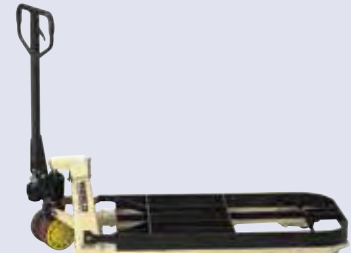
- Fits only specific Wesco 27" W pallet trucks: long fork, with brake, CPI and CP3 models.
- Easily attaches to Wesco CPI pallet truck.
- Factory or field installed.
- #272660 CPI Pallet Truck with Mounted Guard - Part #272654 - 245 lbs.
- Guard only kit, field install. Part #272004 - 54 lbs.



Milk Crate Guard



Box Guard

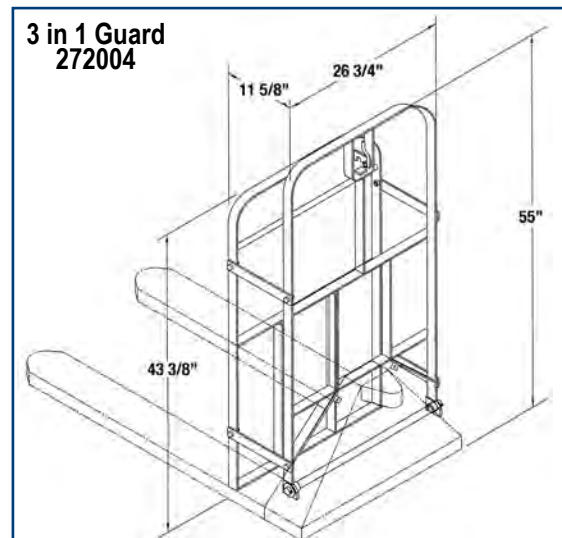
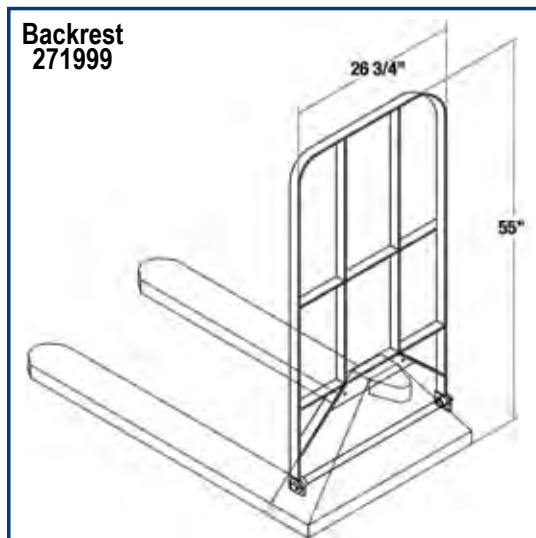


Skid Adapter

3 in 1 Guard featured as an option is three products in one compact design. You no longer need to purchase separate milk crate guards, box guards or skid adapters. Wesco's 3 in 1 guard does it all.

Cargo Backrest

- Fits only specific Wesco 27" W pallet trucks: long fork, with brake, CPI and CP3 models.
- Easy attachment, no drilling, can be field retrofitted.
- Field or factory installed.
- Backrest Only Kit - Part #271999 - 42 lbs.
- Part #272296 - 213 lbs. Assembled CPI Pallet Truck #272660 with Mounted Backrest #271999.



3 in 1 Guard and Cargo Backrest designed for use only on specific Wesco Pallet Trucks. Use on trucks other than Wesco void any and all warranties.

Steel Frame Pedalift Features:

- 750 lb lift capacity.
- Wheel locks are standard on all models.
- Frame and lift heights vary among models.



WPL-54-2222



WPL-54-F



WDPL-54-2222



WDPL-54-F

Two Wheeled Winch Models

- 1-year warranty.
- Manual winch with auto-brake.
- Low maintenance design.
- Front of platform touches the ground on two wheeled model.
- Wheel lock standard.
- All 54" lifts are 60.5" O.A.H. All 40" lifts are 48.5" O.A.H.
- 8" x 2" wheels with .75" precision ball bearings.
- Adjustable forks.

OVERALL DIMENSIONS

| | | | | | |
|----|-------|-------|-------|-------|-------|
| w: | 22.5" | 22.5" | 30" | 22.5" | 22.5" |
| h: | 48.5" | 60.5" | 60.5" | 48.5" | 60.5" |
| d: | 32" | 32" | 32" | 32" | 32" |

Four Wheeled Winch Models

- 1-year warranty.
- Manual winch with auto-brake.
- Low maintenance design.
- Platform on four wheeled model sits 5.75" above the floor.
- Wheel lock standard.
- All 54" lifts are 60.5" O.A.H. All 40" lifts are 48.5" O.A.H.
- 8"x2" wheels with .75" precision ball bearings.
- 3.5" diameter polyurethane ball bearing front swivel casters.
- Adjustable forks.

OVERALL DIMENSIONS

| | | | | | |
|----|-------|-------|-------|-------|-------|
| w: | 22.5" | 22.5" | 30" | 22.5" | 22.5" |
| h: | 48.5" | 60.5" | 60.5" | 48.5" | 60.5" |
| d: | 32" | 32" | 32" | 32" | 32" |

| Part # | 260015 | 260016 | 260017 | 260018 | 260019 | 260020 | 260021 | 260022 | 260023 | 260024 |
|------------------------|-----------------------|-----------------------|-----------------------|------------------|------------------|-----------------------|-----------------------|-----------------------|------------------|------------------|
| Model # | WPL-40-1620 | WPL-54-2222 | WPL-54-2230 | WPL-40-F | WPL-54-F | WDPL-40-1620 | WDPL-54-2222 | WDPL-54-2230 | WDPL-40-F | WDPL-54-F |
| Capacity | 750 lbs | 750 lbs | 750 lbs | 750 lbs | 750 lbs | 750 lbs | 750 lbs | 750 lbs | 750 lbs | 750 lbs |
| Platform or Fork W x L | Platform 20" X 16" | Platform 22" x 22" | Platform 30" x 22" | Fork 3" x 18" | Fork 3" x 18" | Platform 20" x 16" | Platform 22" x 22" | Platform 30" x 22" | Fork 3" x 18" | Fork 3" x 18" |
| Lift Height | 40" | 54" | 54" | 40" | 54" | 40" | 54" | 54" | 40" | 54" |
| Load Center | 10" | 10" | 10" | 10" | 10" | 10" | 10" | 10" | 10" | 10" |
| Weight | 106 lbs | 147 lbs | 157 lbs | 125 lbs | 157 lbs | 113 lbs | 153 lbs | 163 lbs | 132 lbs | 163 lbs |



Two Wheeled Hydraulic Models

- 1-year warranty.
- WESCO manufactured hydraulic Pedalift Jack, over 40 years of proven quality.
- Front tip of nose plate touches floor.
- Foot operated hydraulic pump raises platform, foot release lowers platform.
- Wheel lock standard.
- All 54" lifts are 60.5" O.A.H. All 40" lifts are 48.5" O.A.H.
- 8" x 2" wheels with .75" precision ball bearings.
- Adjustable forks.

OVERALL DIMENSIONS

| | | | | | |
|----|-------|-------|-------|-------|-------|
| w: | 22.5" | 22.5" | 30" | 22.5" | 22.5" |
| h: | 48.5" | 60.5" | 60.5" | 48.5" | 60.5" |
| d: | 32" | 32" | 32" | 32" | 32" |



Four Wheeled Hydraulic Models

- 1-year warranty.
- WESCO manufactured hydraulic Pedalift Jack, over 40 years of proven quality.
- Available 304 stainless steel construction:
 - Stainless model has 8" x 2" polyurethane tread on polypropylene hub, non-marking wheels with 440 stainless sealed 3/4" precision ball bearing.
 - 304 stainless hydraulic jack.
 - 304 stainless swivel casters with plain bore 3.5" hard rubber wheels.
- Foot operated hydraulic pump raises platform, foot release lowers platform.
- Platform sits 5.75" above the floor.
- Wheel lock standard.
- All 54" lifts are 60.5" O.A.H. All 40" lifts are 48.5" O.A.H.
- 8" x 2" wheels with .75" precision ball bearings on steel models.
- 3.5" diameter polyurethane ball bearing front swivel caster on steel models.
- Adjustable forks.

OVERALL DIMENSIONS

| | | | | | | | |
|----|-------|-------|-------|-------|-------|-------|-------|
| w: | 22.5" | 22.5" | 30" | 22.5" | 22.5" | 22.5" | 22.5" |
| h: | 48.5" | 60.5" | 60.5" | 48.5" | 60.5" | 60.5" | 60.5" |
| d: | 32" | 32" | 32" | 32" | 32" | 32" | 32" |

304 Stainless Steel

| Part # | 260001 | 260002 | 260003 | 260006 | 260007 | 260008 | 260009 | 260010 | 260011 | 260012 | 260186 | 260197 |
|------------------------|--------------------|--------------------|--------------------|---------------|---------------|--------------------|--------------------|--------------------|---------------|---------------|--------------------|---------------|
| Model # | PL-40-1620 | PL-54-2222 | PL-54-2230 | PL-40-F | PL-54-F | DPL-40-1620 | DPL-54-2222 | DPL-54-2230 | DPL-40-F | DPL-54-F | SSDPL-54-2222 | SSDPL-54-F |
| Capacity | 750 lbs | 750 lbs | 750 lbs | 750 lbs | 750 lbs | 750 lbs | 750 lbs | 750 lbs | 750 lbs | 750 lbs | 750 lbs | 750 lbs |
| Platform or Fork W x L | Platform 20" x 16" | Platform 22" x 22" | Platform 30" x 22" | Fork 3" x 18" | Fork 3" x 18" | Platform 20" X 16" | Platform 22" x 22" | Platform 30" x 22" | Fork 3" x 18" | Fork 3" x 18" | Platform 22" x 22" | Fork 3" x 18" |
| Lift Height | 40" | 54" | 54" | 40" | 54" | 40" | 54" | 54" | 40" | 54" | 54" | 54" |
| Load Center | 10" | 10" | 10" | 10" | 10" | 10" | 10" | 10" | 10" | 10" | 10" | 10" |
| Weight | 112 lbs | 156 lbs | 166 lbs | 131 lbs | 166 lbs | 119 lbs | 166 lbs | 172 lbs | 138 lbs | 172 lbs | 175 lbs | 181 lbs |

Cylinder Truck?

See page 28.



Platform Option

- Provides the utility of two units.
 - Easy installation - no tools required.
- Part # - 260157
Model # - POK



To order option, add Part # or Model # to Lite-Lift Part # or Model #.



Winch Lite-Lift

- 1-year warranty.
- Manual winch with auto-brake.
- No catches to release.
- Low maintenance.
- Casters with wheel locks.



LLHPB



LLWPB

Hydraulic Cylinder Lift

- 1-year warranty.
- WESCO manufactured hydraulic Pedalift Jack, over 40 years of proven quality.
- Easily lifts and transports gas cylinders.
- Swivel casters make maneuvering in tight places easier.
- Two models:
 - Foot operated hydraulic pump.
 - Manual winch with auto-brake.
- Maximum cylinder diameter 9.5".
- Casters with wheel locks.

OVERALL DIMENSIONS

| | |
|-----------|--------|
| w: 20" | 20" |
| h: 54" | 58" |
| d: 29.25" | 29.25" |

Universal Lift

- 1-year warranty.
- Two straps with buckles to help secure load, 9' wrap around and 5' front to back.
- Manual winch with auto brake.
- Two 8" wheels and two 3 1/2" polyurethane casters.
- Lowered platform sits 6" above ground.
- Ideal for placing rental equipment on to pickup truck or into van.

OVERALL DIMENSIONS

| | |
|-----------|--|
| w: 29.25" | |
| h: 61" | |
| d: 46.4" | |

Hydraulic Lite-Lift

- 1-year warranty.
- WESCO manufactured hydraulic Pedalift Jack, over 40 years of proven quality.
- Foot operated hydraulic pump.
- Release foot pedal for controlled lowering.
- Casters with wheel locks.
- Adjustable forks.

OVERALL DIMENSIONS

| | |
|----------|-------|
| w: 20" | 20" |
| h: 70.5" | 70.5" |
| d: 30" | 30" |

OVERALL DIMENSIONS

| | |
|----------|-------|
| w: 20" | 20" |
| h: 70.5" | 70.5" |
| d: 30" | 30" |

| Part # | 260161 | 260163 | 260130 | 260150 | 260151 | 260152 | 260153 |
|------------------------|--------------------|--------------------|--------------------|--------------------|----------------------|--------------------|----------------------|
| Model # | LLHPB | LLWPB | ULP2630 | LLHP | LLHF | LLWP | LLWF |
| Capacity | 300 lbs | 300 lbs | 750 lbs | 500 lbs | 500 lbs | 500 lbs | 500 lbs |
| Platform or Fork W x L | Platform 12" x 20" | Platform 12" x 20" | Platform 26" x 30" | Platform 20" x 20" | Fork 3" x 19" x .75" | Platform 20" x 20" | Fork 3" x 19" x .75" |
| Lift Height | 40" / Hydraulic | 40" / Winch | 54" | 54" | 54" | 54" | 54" |
| Lowered Height | 1/4" | 1/4" | 6" | 5.75" | 4.25" | 5.75" | 4.25" |
| Caster / Wheel Size | 5" | 5" | 3.5" / 8" | 5" | 5" | 5" | 5" |
| Front Leg Span | N/A | N/A | N/A 19.75" OD | 15.25" ID x 20" OD | 15.25" ID 20" OD | 15.25" ID 20" OD | 15.25" ID 20" OD |
| Load Center | 10" | 10" | 6" | 10" | 10" | 10" | 10" |
| Weight | 165 lbs | 152 lbs | 224 lbs | 139 lbs | 157 lbs | 103 lbs | 124 lb |

WESCO® TRIPLE TRUCK / ALUMINUM PEDALIFTS



261160 Frame w/
261161 Drum Lifter



261160 Frame w/
261162 Adjustable Forks



261160 Frame w/
261163 Platform

**A 5 Year Guarantee
Against Weld Failure.
A Wesco Quality Exclusive.**

Aluminum Frame Pedalifts features:

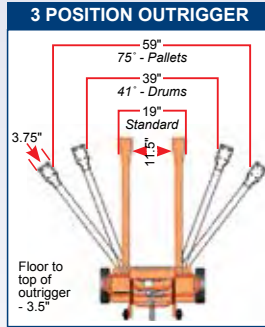
- Aluminum construction for lightweight ruggedness.
- 20" deep x 22" wide platform size.
- Wheel locks are standard on all models.
- Front of platform touches the floor.
- Frame and lift heights vary among models.

Triple Truck



1-YEAR WARRANTY, PATENT NO. US9,139,214B2.

- Handles most standard rim 30, 55 and 85 gal. steel, poly and fiber drums.
- Manual winch with auto brake.
- 3 Models of Lifting Attachments - **No tools required:**
 - #261161 - Gator Grip® Drum Lifter Attachment
 - #261162 - Adjustable Width Forks -6" to 19 1/2" O.D.
 - #261163 - Platform - 21 1/4" W x 28 1/2" D. (Optional slip-on over forks.) Requires adjustable fork option.



- Carriage lock, lock carriage in place at any position.
- Easy load rollers assist loading onto a truck bed.

HOW TO ORDER:

Frame and attachments ordered separately.

1. Purchase basic frame - **Part #261160.**
 2. Select lifting attachment.
 - a. Gator Grip® Drum Lifter - **Part #261161.**
 - b. Adjustable Forks - **Part #261162.**
 - c. Slip-on Platform* - **Part #261163.**
- (Requires adjustable fork option.)

- Low-profile 3" debris deflecting neoprene swivel casters.
- Floor to top of leg height - 3.75".
- 10" x 2.75" poly hub solid rubber wheels - **Part # 150698.**
- Wheel lock - pedal activated.
- Lever operated outrigger adjustment - 3 positions.
- Outrigger angle can be changed even under full load.

OVERALL DIMENSIONS

| | |
|-----------|-----|
| w: 30" | 16" |
| h: 70.75" | 33" |
| d: 52.25" | 12" |

LOOK



WMPL-54-2022
Winch/Platform



MPL-54-2022
Hydraulic/Platform

Two Wheeled Winch Models

- 1-year warranty.
- Manual winch with auto-brake.
- Light weight minimizes the effort required for moving and lifting.
- Wheel lock standard.
- 8"x2" wheels with .75" ball bearings.

OVERALL DIMENSIONS

| | |
|----------|----------|
| w: 22.5" | w: 22.5" |
| h: 48.5" | h: 60.5" |
| d: 32" | d: 32" |

Two Wheeled Hydraulic Models

- 1-year warranty.
- Foot operated hydraulic pump raises platform, foot release lowers platform.
- WESCO manufactured hydraulic Pedalift Jack, over 40 years of proven quality.
- Wheel lock standard.
- 8"x2" wheels with .75" ball bearings.

OVERALL DIMENSIONS

| | |
|----------|----------|
| w: 22.5" | w: 22.5" |
| h: 48.5" | h: 60.5" |
| d: 32" | d: 32" |

| Part # | 261160 | 261161 | 261162 | 261163 | 260025 | 260026 | 260004 | 260005 |
|------------------------|-----------------|------------|------------------------|----------------------------|--------------------|--------------------|--------------------|--------------------|
| Model # | TTF | TTF-GG | TTF-AF | TTF-P | WMPL-40-2022 | WMPL-54-2022 | MPL-40-2022 | MPL-54-2022 |
| Capacity | 750 lbs | 750 lbs | 750 lbs | 750 lbs | 400 lbs | 400 lbs | 400 lbs | 400 lbs |
| Platform or Fork W x L | FRAME ONLY | GATOR GRIP | ADJ. FORKS 3" x 26.75" | PLATFORM* 21.25" x 28.125" | Platform 22" x 20" | Platform 22" x 20" | Platform 22" x 20" | Platform 22" x 20" |
| Front Leg Span | SEE CHART ABOVE | | | | N/A | N/A | N/A | N/A |
| Lowered Height | N/A | 28.75" | 4" | 5" | N/A | N/A | N/A | N/A |
| Lift Height | N/A | 69" | 62" | 62.125" | 40" | 54" | 40" | 54" |
| Caster / Wheel Size | 3" / 10" | N/A | N/A | N/A | 8" x 2" | 8" x 2" | 8" x 2" | 8" x 2" |
| Load Center | N/A | 16" | 16" | 16" | 10" | 10" | 10" | 10" |
| Weight | 224 lbs | 32 lbs | 30 lbs | 6 lbs | 61 lbs | 68 lbs | 71 lbs | 77 lbs |

*Requires Adjustable Fork Option



SINCE 1948



273510
Fixed Base
(Forks Down)



273510
Fixed Base
(Forks Up)

273516
Counter-balance Straddle
(Forks Down)



273513
Adjustable Straddle
(Forks Down)

Hand Winch Lifters

- Capacities: 350, 400 and 500 lbs.
- Aluminum and steel construction.
- 8" rear wheels and 2" front swivel casters are non-marking.
- Forks can be inverted for two different lift heights. Fork size: 4"W x 22.5"L x 1.75"H.
- Winch crank handle locks to secure carriage.
- Three models:
 - Fixed Base** used in narrow work spaces. Base legs: 13" inside width x 21.5" overall width.
 - Adjustable Straddle** with adjustable legs 21.5" to 36" inside width and 29" to 44" outside width.
 - Counter-balance Straddle.** Short legs get you close to load when there is no room for standard legs. 5" polyurethane rear swivel casters with brakes and 4" front wheels.
- Top of frame rollers facilitates laying truck horizontal for transport.

OVERALL DIMENSIONS

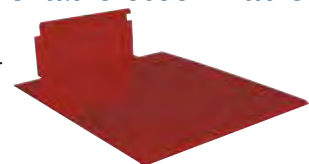
| | | | | | | | | |
|----|-----|-----|-----|-----|-----|-----|-----|-----|
| w: | 24" | 24" | 29" | 29" | 29" | 29" | 29" | 29" |
| h: | 68" | 68" | 79" | 68" | 68" | 68" | 68" | 68" |
| d: | 35" | 35" | 43" | 43" | 43" | 47" | 47" | 47" |

| Part # | 273510 | 273511 | 273512 | 273513 | 273514 | 273515 | 273516 | 273517 |
|-----------------------|------------|--------------|---------------------|---------------------|---------------------|--------------------------|--------------------------|--------------------------|
| Model # | HWLFX-4 | HWLFX-5 | HWLSD-3.5 | HWLSD-4 | HWLSD-5 | HWLCB-3.5 | HWLCB-4 | HWLCB-5 |
| Capacity | 400 lbs | 500 lbs | 350 lbs | 400 lbs | 500 lbs | 350 lbs | 400 lbs | 500 lbs |
| Base | Fixed | Fixed | Adjustable Straddle | Adjustable Straddle | Adjustable Straddle | Counter-balance Straddle | Counter-balance Straddle | Counter-balance Straddle |
| Max. Lift Range* | 98" / 120" | 47" / 70" | 120" / 142" | 98" / 120" | 47" / 70" | 120" / 142" | 98" / 120" | 47" / 70" |
| Lowered Height Range* | 3.5" / 25" | 3.5" / 27.5" | 1.25" / 21.5" | 1.25" / 21.5" | 1.25" / 21.5" | 1.25" / 21.5" | 2" / 25" | 2" / 25" |
| Load Center | 11.25" | 11.25" | 11.25" | 11.25" | 11.25" | 11.25" | 11.25" | 11.25" |
| Weight | 154 lbs | 143 lbs | 176 lbs | 165 lbs | 154 lbs | 405 lbs | 394 lbs | 383 lbs |

* Forks down / forks up dimensions.

Optional Removable Steel Platform

- Fits over forks.
- Size: 20.5"W x 24.25"L.
- Weight: 26 lbs.
- **Part #273518**





1,000 LB. HYDRAULIC & WINCH PLATFORM STACKERS

Hydraulic Stackers features:

- Floor locks, safety screen and foot guard are standard on all models.
- Forks touch the floor on all fork models.
- Front phenolic wheels are 5" diameter.
- Rear phenolic swivel casters are 4" diameter.
- Hydraulic jack manufactured by WESCO.
- "S"tandard line features one piece platform guide rail.
- "E"conomy line offers an economical price value.
- Foot pedal - pump and release.

**A 5 Year Guarantee Against Weld Failure.
A Wesco Quality Exclusive.**



SPL-60-2424



ESPL-60-2424



SPL-80-3032



ESPL-60-3032

Wesco Platform Models

- 1-year warranty.
- WESCO manufactured hydraulic Stacker Jack, over 40 years of proven quality.
- 24" x 24" heavy gauge platform with 5.75" lowered height.
- 15" load center.
- Base leg span - 15" inside, 21" outside.
- NEW Low Profile Outrigger Option available.

OVERALL DIMENSIONS

| | | | | | | |
|----|----------|---------|----------|---------|----------|---------|
| w: | 25.5" | 25.5" | 25.5" | 25.5" | 25.5" | 25.5" |
| h: | 75" | 72" | 83" | 80" | 94" | 92" |
| d: | 40" | 40" | 38" | 40" | 40" | 40" |
| | Standard | Economy | Standard | Economy | Standard | Economy |

Wesco Large Platform Models

- 1-year warranty.
- WESCO manufactured hydraulic Stacker Jack, over 40 years of proven quality.
- 30" deep x 32" wide heavy gauge platform with 5.25" lowered height.
- 18" load center.
- Base leg span - 25.5" inside, 32" outside.
- NEW Low Profile Outrigger Option available. See below.

OVERALL DIMENSIONS

| | | | | | | |
|----|----------|---------|----------|---------|----------|---------|
| w: | 32" | 32" | 32" | 32" | 32" | 32" |
| h: | 75" | 83" | 80" | 94" | 92" | 92" |
| d: | 44.5" | 44.5" | 44.5" | 44.5" | 44.5" | 44.5" |
| | Standard | Economy | Standard | Economy | Standard | Economy |

| Part # | 260032 | 260044 | 260033 | 260045 | 260034 | 260046 | 260038 | 260050 | 260039 | 260051 | 260040 | 260052 |
|---------------------|-------------|--------------|-------------|--------------|-------------|--------------|-------------|--------------|-------------|--------------|-------------|--------------|
| Model # | SPL-60-2424 | ESPL-60-2424 | SPL-68-2424 | ESPL-68-2424 | SPL-80-2424 | ESPL-80-2424 | SPL-60-3032 | ESPL-60-3032 | SPL-68-3032 | ESPL-68-3032 | SPL-80-3032 | ESPL-80-3032 |
| Capacity | 1,000 lbs | 1,000 lbs | 1,000 lbs | 1,000 lbs | 1,000 lbs | 1,000 lbs | 1,000 lbs | 1,000 lbs | 1,000 lbs | 1,000 lbs | 1,000 lbs | 1,000 lbs |
| Platform/Fork W x L | 24" x 24" | 24" x 24" | 24" x 24" | 24" x 24" | 24" x 24" | 24" x 24" | 32" x 30" | 32" x 30" | 32" x 30" | 32" x 30" | 32" x 30" | 32" x 30" |
| Lift Height | 60" | 60" | 68" | 68" | 80" | 80" | 60" | 60" | 68" | 68" | 80" | 80" |
| Load Center | 15" | 15" | 15" | 15" | 15" | 15" | 18" | 18" | 18" | 18" | 18" | 18" |
| Weight | 233 lbs | 226 lbs | 248 lbs | 234 lbs | 274 lbs | 263 lbs | 272 lbs | 265 lbs | 295 lbs | 273 lbs | 317 lbs | 298 lbs |
| Low Profile Option | Yes | Yes | Yes | Yes | Yes | Yes | Yes | Yes | Yes | Yes | Yes | Yes |

1,000 lb Capacity Winch Stacker

- 1-year warranty.
- Heavy duty 1,000 lb capacity.
- Heavy duty winch with auto brake.
- Floor lock and safety screen are standard.
- Swivel casters - 4" x 2" phenolic. Load wheels - 5" x 2" phenolic.
- Lowered height - 5.25".
- NEW Low Profile Outrigger Option available.

OVERALL DIMENSIONS

| | |
|----|--------|
| w: | 24" |
| h: | 83.25" |
| d: | 41" |

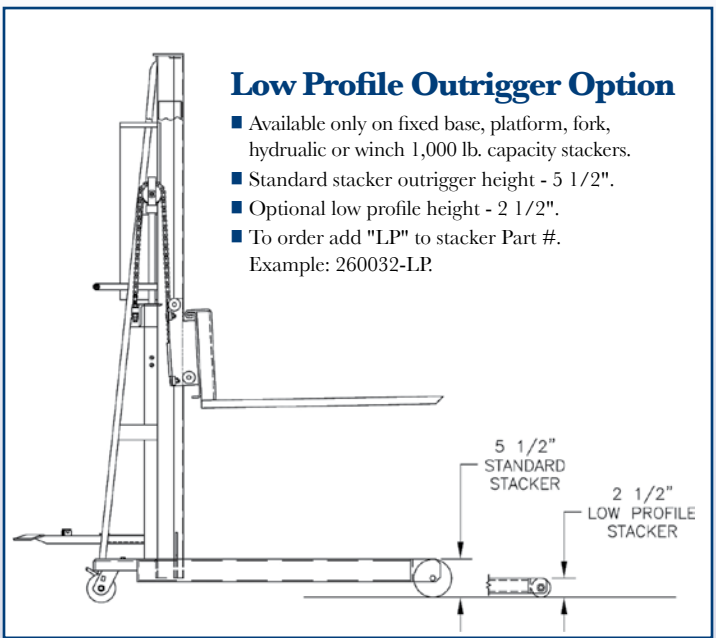
SWPL-68-2424



| Part # | 270214 |
|---------------------|--------------|
| Model # | SWPL-68-2424 |
| Capacity | 1,000 lbs |
| Platform/Fork W x L | 24" x 24" |
| Lift Height | 70" |
| Load Center | 15" |
| Weight | 238 lbs |
| Low Profile Option | Yes |

Low Profile Outrigger Option

- Available only on fixed base, platform, fork, hydraulic or winch 1,000 lb. capacity stackers.
- Standard stacker outrigger height - 5 1/2".
- Optional low profile height - 2 1/2".
- To order add "LP" to stacker Part #. Example: 260032-LP.



SINCE 1948



1,000 LB. FORK STACKERS

**A 5 Year Guarantee Against Weld Failure.
A Wesco Quality Exclusive.**

Wesco Fork Model

- **1-year warranty.**
- **1" thick x 3" wide x 25" long forks.**
- Adjustable fork range:
minimum - 6.125" O.D.
maximum - 25" O.D.
- 15" load center.
- 25.5" overall width; 40" depth.
- Base leg span - 15" inside, 21" outside.
- Forks lower to ground.
- **WESCO manufactured hydraulic Stacker Jack, over 40 years of proven quality.**
- **NEW Low Profile Outrigger Option available. (See page 60.)**



OVERALL DIMENSIONS

| | | | | | | |
|----|-----------------|----------------|-----------------|----------------|-----------------|----------------|
| w: | 25.5" | 25.5" | 25.5" | 25.5" | 25.5" | 25.5" |
| h: | 75" | 72" | 83" | 80" | 94" | 92" |
| d: | 44.5" | 44" | 44.5" | 44" | 44.5" | 44" |
| | Standard | Economy | Standard | Economy | Standard | Economy |

| Part # | 260035 | 260047 | 260036 | 260048 | 260037 | 260049 |
|---------------------|-----------|------------|-----------|------------|-----------|------------|
| Model # | SFL-56-25 | ESFL-56-25 | SFL-64-25 | ESFL-64-25 | SFL-76-25 | ESFL-76-25 |
| Capacity | 1,000 lbs | 1,000 lbs | 1,000 lbs | 1,000 lbs | 1,000 lbs | 1,000 lbs |
| Platform/Fork W x L | 3" x 25" | 3" x 25" | 3" x 25" | 3" x 25" | 3" x 25" | 3" x 25" |
| Lift Height | 56" | 56" | 64" | 64" | 76" | 76" |
| Load Center | 15" | 15" | 15" | 15" | 15" | 15" |
| Weight | 265 lbs | 258 lbs | 273 lbs | 266 lbs | 306 lbs | 295 lbs |
| Low Profile Option | Yes | Yes | Yes | Yes | Yes | Yes |

Straddle Fork Model

- **1-year warranty.**
- **1" thick x 3" wide x 30" long forks.**
- Adjustable fork range:
minimum - 6.125" O.D.
maximum - 25" O.D.
- 18" load center.
- 32" overall width; 44" depth.
- Base leg span - 25.5" inside, 32" outside.
- Forks lower to ground.
- **WESCO manufactured hydraulic Stacker Jack, over 40 years of proven quality.**
- **NEW Low Profile Outrigger Option available. (See page 60.)**



Wide Straddle Fork Model

- **1-year warranty.**
- **1" thick x 3" wide x 30" long forks.**
- Base leg span - 42" inside, 48.75" outside.
- Adjustable fork range:
minimum - 6.125" O.D.
maximum - 25" O.D.
- Overall width 48.75", depth 48.25".
- Forks lower to the ground.
- **NOT AVAILABLE - Low profile option.**
- **WESCO manufactured hydraulic Stacker Jack, over 40 years of proven quality.**



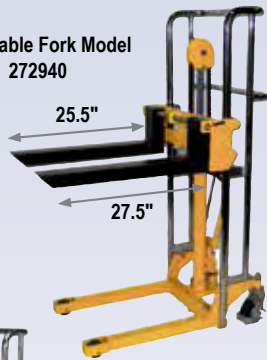
OVERALL DIMENSIONS

| | | | | | | | |
|----|-----------------|----------------|-----------------|----------------|-----------------|----------------|-------------|
| w: | 32.5" | 32.5" | 32.5" | 32.5" | 32.5" | 32.5" | 48.5" |
| h: | 75" | 72" | 83" | 80" | 94" | 92" | 72.5" |
| d: | 48" | 48" | 48" | 48" | 48" | 48" | 49" |
| | Standard | Economy | Standard | Economy | Standard | Economy | Wide |

| Part # | 260041 | 260053 | 260042 | 260054 | 260043 | 260055 | 260075 |
|--------------------|------------|-------------|------------|-------------|------------|-------------|----------------|
| Model # | SFL-56-30S | ESFL-56-30S | SFL-64-30S | ESFL-64-30S | SFL-76-30S | ESFL-76-30S | ESFL-56-30-42S |
| Capacity | 1,000 lbs | 1,000 lbs | 1,000 lbs | 1,000 lbs | 1,000 lbs | 1,000 lbs | 1,000 lbs |
| Fork W x L | 3" x 30" | 3" x 30" | 3" x 30" | 3" x 30" | 3" x 30" | 3" x 30" | 3" x 30" |
| Lift Height | 56" | 56" | 64" | 64" | 76" | 76" | 56" |
| Load Center | 18" | 18" | 18" | 18" | 18" | 18" | 18" |
| Weight | 288 lbs | 281 lbs | 298 lbs | 289 lbs | 333 lbs | 322 lbs | 352 lbs |
| Low Profile Option | Yes | Yes | Yes | Yes | Yes | Yes | No |

LIFT EQUIPMENT

Adjustable Fork Model
272940



Chrome plated platform is an option.

With optional platform #272942

Value Lift

- Adjustable 4" wide x 25.5" long forks.
- Optional, removable chrome plated 22" wide x 26" long platform.
- Foot operated hydraulic pump.
- Two 5" polyurethane swivel casters with brake and two 3" polyurethane rigid wheels.
- Two lift heights: 47" and 59".
- Chrome plated rails and handle.
- Ships KD.
- #272942 Optional Platform fits both Manual and Electric Value Lift Stackers.

OVERALL DIMENSIONS

| | | |
|----------|-------|-----|
| w: 22.5" | 22.5" | 22" |
| h: 55" | 70" | 1" |
| d: 36" | 37" | 26" |



Control Panel



VLP-59

Electric Value Lift Stackers

- Adjustable 4" wide x 25.5" long forks.
- Optional, removable 22" wide x 26" long platform.
- Two 5" polyurethane swivel casters with brake and two 3" polyurethane rigid wheels.
- Two lift heights: 47" and 59".
- Chrome plated rails and handles.
- UL approved charger.
- Scaled maintenance-free battery.
- Keyed on/off switch.
- Raise/lower controls.
- #272942 Optional Platform fits both Manual and Electric Value Lift Stackers.

OVERALL DIMENSIONS

| | |
|----------|-------|
| w: 22.5" | 22.5" |
| h: 55" | 68" |
| d: 44" | 44" |

Manual and Electric Office Lifts

- Ideal for narrow aisles.
- Great for offices.
- Two models, manual and electric.
- Lightweight, but sturdy.
- Sealed battery and automatic charger built in.
- Remote up and down pendant for electric model.
- 9/16" thick plastic platform.

OVERALL DIMENSIONS

| | |
|----------|-------|
| w: 23.5" | 23.5" |
| h: 71.5" | 78" |
| d: 32" | 34" |

With optional support backrest and foldable platform.



Premium Light Duty Winch Lift

- 1 Year Warranty on parts only.
- Zinc-plated finish.
- Suitable for clean environments.
- Swivel caster, 3/4" polyurethane dual wheel.
- Easy maneuvering in tight or narrow spaces.
- 2" lifting strap.
- Manual winch with auto brake.
- Optional zinc-plated cargo support backrest. Part #274531.
- Optional 304 stainless steel foldable platform. Part #274530.

OVERALL DIMENSIONS

| |
|------------|
| w: 23.25" |
| h: 54.125" |
| d: 29.25" |

| Part # | Value Lift | | | Electric Value Lift Stackers | | Manual and Electric Office Lifts | | Premium Light Duty Winch Lift |
|------------------------|-------------------------|-------------------------|--------------------|------------------------------|-------------------------|----------------------------------|---------------------------|-------------------------------|
| | 272940 | 272941 | 272942 | 273203 | 273204 | 272467 | 272468 | |
| Model # | VL47 | VL59 | VLRP | VLP-47 | VLP-59 | MOL | EOL | DWL-43 |
| Capacity | 880 lbs | 880 lbs | N/A | 880 lbs | 880 lbs | 220 lbs | 220 lbs | 265 lbs |
| Platform or Fork W x L | Fork 4" x 25.5" | Fork 4" x 25.5" | Platform 22" x 26" | Fork 4" x 25.5" | Fork 4" x 25.5" | Platform 18" x 23" | Platform 18" x 23" | 15.125" x 23.25" |
| Lift Height | 3.5" - 47" | 3.5" - 59" | N/A" | 3.5" - 47" | 3.5" - 59" | 58.5" | 66" | 43" |
| Lowered Height | 3.5" | 3.5" | N/A | 3.5" | 3.5" | 5" | 5" | 3.25" |
| Adj. Fork Width | 8.5" - 19.5" | 8.5" - 19.5" | N/A | 8.25" - 21.5" | 8.25" - 21.5" | N/A | N/A | N/A |
| Swivel Casters | 5" Locking Polyurethane | 5" Locking Polyurethane | N/A | 5" Locking Polyurethane | 5" Locking Polyurethane | 5" x 1.25" Hard Rubber | 5" x 1.25" Hard Rubber | 3/4" Dual Wheel Polyurethane |
| Load Wheels | 3" Rigid Polyurethane | 3" Rigid Polyurethane | N/A | 3" Rigid Polyurethane | 3" Rigid Polyurethane | 2.75" x 1.25" Hard Rubber | 2.75" x 1.25" Hard Rubber | 7.5" x 1.25" Rubber |
| Battery | N/A | N/A | N/A | 12V 80AH | 12V 80AH | N/A | 12V | N/A |
| Load Center | 12.75" | 12.75" | N/A | 12.75" | 12.75" | 9.25" | 9.25" | 15.25" |
| Weight | 178 lbs | 187 lbs | 10 lbs | 269 lbs | 280 lbs | 104 lbs | 146 lbs | 55 lbs |



2,200 lb Capacity Power Drive Stacker

- **6 Month Warranty on parts only.**
- **Can not be used with pallets - only skids without bottom slates.**
- Lift height of 98 3/4". Dual chain lift.
- Includes two, 12 volt, 187 AH, sealed batteries and a separate UL approved charger.
- Power propulsion system takes the effort out of moving heavy loads. Also provides easy steering.
- Fingertip control provides variable forward and reverse speeds.
- Automatic safety stop on top of control post. Unit shuts down when safety stop comes into contact with an obstacle.
- Load wheels, steering wheel and drive wheel are all moldon polyurethane.
- Adjustable forks.

OVERALL DIMENSIONS

w: 35"
h: 70" - 117.5"
d: 64"

| Part # | 272943 |
|------------------------|------------------------|
| Model | EKS-10 |
| Capacity | 2,200 lbs |
| Lowered Mast Height | 70" |
| Raised Mast Height | 117.5" |
| Leg ID/OD | 19" / 27" |
| Fork Size W x L | 5" x 35.25" |
| Outside Fork Spread | 12" - 29" - Adjustable |
| Lowered Fork Height | 2.6" |
| Raised Fork Height | 98.25" |
| Load Center | 17.5" |
| Weight | 826 lbs |

Features of Counter-Balance Powered Line of Stackers

- **Meets ANSI B56.10 specifications.**
- **Maximum lift capacity - 1,000 lbs.**
- **Remote control, floor lock, and safety screen are standard on all models.**
- **With a minimally charged battery, unit can be used while recharging.**
- **Easy to read illuminated battery status voltmeter - no extra cost!**



Standard features include:
remote control
voltmeter
on/off switch.



Counter-Balance Powered Stacker

- **1-year warranty.**
- **Proven quality: WESCO manufactured Hydraulic Cylinder.**
- Battery and charger included.
- Applications include:
 - Loading and unloading trucks.
 - Positioning dies.
 - Feeding material to presses.
- 25" long forks standard.
- 30" long fork models available, 850 lb. max. capacity.
- Order enough weight kits for your planned load. (See chart below.)
- **AC models not available.**



261039

Note: Counter-Balance Stackers require appropriate counter-weights. See chart below.

OVERALL DIMENSIONS

| | | |
|----------|-------|-------|
| w: 26.5" | 26.5" | 26.5" |
| h: 75" | 83" | 94" |
| d: 59.5" | 59.5" | 59.5" |

| Part # | 261037 | 261038 | 261039 |
|-------------------------|-----------------------|-----------------------|-----------------------|
| Model # | PCBFL-56-25 | PCBFL-64-25 | PCBFL-76-25 |
| Capacity | 1,000 lbs | 1,000 lbs | 1,000 lbs |
| Fork W x L | 3" x 25" | 3" x 25" | 3" x 25" |
| Outside Fork Spread | 6" - 25" - Adjustable | 6" - 25" - Adjustable | 6" - 25" - Adjustable |
| Lift Height | 56" | 64" | 76" |
| Wheel: Front Rear | 5" 5" | 5" 5" | 5" 5" |
| Load Center | 13" | 13" | 13" |
| Weight* | 560 lbs | 574 lbs | 611 lbs |

*Weight of stacker without counterweights.

Counter-Balance Weights

| Part # | 261041 | 261042 | 261043 |
|--------------------------|---------|---------|-----------|
| Counterweight | 200 lbs | 400 lbs | 600 lbs |
| Stacker Load Capacity | 334 lbs | 668 lbs | 1,000 lbs |

WESCO® 1,000 LB. POWER LIFT STACKERS



261024



Platform Model

- 1-year warranty.
- Proven quality: WESCO manufactured Hydraulic Cylinder.
- Battery and charger included.
- Lowered height 5.75"
- Phenolic wheels on front and phenolic casters on rear.
- Power Drive Option available: see page 67 for details. Add "-PD" to end of Part #.
- 110V AC models available (Special Order). Add AC to end of Part #.
- NEW Low Profile Outrigger Option available.

OVERALL DIMENSIONS

| | | | |
|----|-------|-------|-------|
| w: | 25.5" | 25.5" | 25.5" |
| h: | 72" | 80" | 92" |
| d: | 36" | 36" | 36" |

24" x 24" Platform Models



261033



Fork Model

- 1-year warranty.
- Proven quality: WESCO manufactured Hydraulic Cylinder.
- Battery and charger included.
- Forks lower to floor on all models.
- 5" phenolic wheels on front, 4" swivel on rear.
- Power Drive Option available: see page 67 for details. Add "-PD" to end of Part #.
- 110V AC models available (Special Order). Add AC to end of Part #.
- Adjustable fork range: minimum - 6" O.D. maximum - 25" O.D.
- NEW Low Profile Outrigger Option available.

OVERALL DIMENSIONS

| | | | |
|----|-------|-------|-------|
| w: | 25.5" | 25.5" | 25.5" |
| h: | 72" | 80" | 92" |
| d: | 44.5" | 44.5" | 44.5" |

Fork Models



261035



Adjustable Span Straddle Model

- 1-year warranty.
- Proven quality: WESCO manufactured Hydraulic Cylinder.
- Battery and charger included.
- Forks lower to floor on all models.
- Extra deep (40") straddle legs and forks for lifting pallets.
- Versatile adjustable span straddle legs can be set from 34" to 50" inside dimension to handle most standard pallets.
- Power Drive Option available: see page 67 for details. Add "-PD" to end of Part #.
- 110V AC models available (Special Order). Add AC to end of Part #.
- Adjustable fork range: minimum - 6" O.D., maximum - 25" O.D.
- NOT AVAILABLE - Low profile option.

OVERALL DIMENSIONS

| | | | |
|----|---------|---------|---------|
| w: | 54" Max | 54" Max | 54" Max |
| h: | 72" | 80" | 92" |
| d: | 58.75" | 58.75" | 58.75" |

Adjustable Straddle Fork Models

| Part # | 261022 | 261023 | 261024 | 261028 | 261029 | 261030 | 261034 | 261035 | 261036 |
|------------------------|--------------------|--------------------|--------------------|--------------------|--------------------|--------------------|--------------------|--------------------|--------------------|
| Model # | PESPL-60-2424 | PESPL-68-2424 | PESPL-80-2424 | PESFL-56-25 | PESFL-64-25 | PESFL-76-25 | PASFL-56-40S | PASFL-64-40S | PASFL-76-40S |
| Capacity | 1,000 lbs | 1,000 lbs | 1,000 lbs | 1,000 lbs | 1,000 lbs | 1,000 lbs | 1,000 lbs | 1,000 lbs | 1,000 lbs |
| Platform or Fork W x L | Platform 24" x 24" | Platform 24" x 24" | Platform 24" x 24" | Fork 3" x 25" | Fork 3" x 25" | Fork 3" x 25" | Fork 3" x 40" | Fork 3" x 40" | Fork 3" x 40" |
| Lift Height | 60" | 68" | 80" | 56" | 64" | 76" | 56" | 64" | 76" |
| Leg ID/OD | 15"/21" | 15"/21" | 15"/21" | 15"/21" | 15"/21" | 15"/21" | 34" to 50" ID Adj. | 34" to 50" ID Adj. | 34" to 50" ID Adj. |
| Wheel: | | | | | | | | | |
| Front | 5" phenolic | 5" phenolic | 5" phenolic | 5" phenolic | 5" phenolic | 5" phenolic | 5" phenolic | 5" phenolic | 5" phenolic |
| Rear | 4" phenolic swivel | 4" phenolic swivel | 4" phenolic swivel | 4" phenolic swivel | 4" phenolic swivel | 4" phenolic swivel | 4" phenolic swivel | 4" phenolic swivel | 4" phenolic swivel |
| Load Center | 15" | 15" | 15" | 15" | 15" | 15" | 20" | 20" | 20" |
| Weight | 418 lbs | 428 lbs | 457 lbs | 452 lbs | 460 lbs | 489 lbs | 510 lbs | 518 lbs | 554 lbs |
| Low Profile Option | Yes | Yes | Yes | Yes | Yes | Yes | No | No | No |

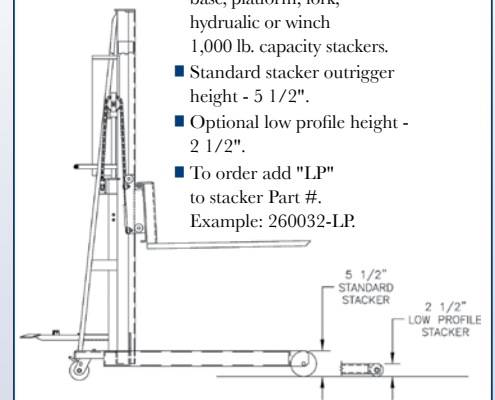
30" x 32" Platform Models

Straddle Fork Models

| Part # | 261025 | 261026 | 261027 | 261031 | 261032 | 261033 |
|------------------------|--------------------|--------------------|--------------------|---------------|---------------|---------------|
| Model # | PESPL-60-3032 | PESPL-68-3032 | PESPL-80-3032 | PESFL-56-30S | PESFL-64-30S | PESFL-76-30S |
| Capacity | 1,000 lbs | 1,000 lbs | 1,000 lbs | 1,000 lbs | 1,000 lbs | 1,000 lbs |
| Platform or Fork W x L | Platform 32" x 30" | Platform 32" x 30" | Platform 32" x 30" | Fork 3" x 30" | Fork 3" x 30" | Fork 3" x 30" |
| Lift Height | 60" | 68" | 80" | 56" | 64" | 76" |
| Leg ID/OD | 25.5" / 32" | 25.5" / 32" | 25.5" / 32" | 25.5"/32" | 25.5"/32" | 25.5"/32" |
| Wheel: | | | | | | |
| Front | 5" rigid | 5" rigid | 5" rigid | 5" phenolic | 5" phenolic | 5" phenolic |
| Rear | 4" swivel | 4" swivel | 4" swivel | 4" swivel | 4" swivel | 4" swivel |
| Load Center | 18" | 18" | 18" | 18" | 18" | 18" |
| Weight | 404 lbs | 427 lbs | 452 lbs | 442 lbs | 456 lbs | 465 lbs |
| Low Profile Option | Yes | Yes | Yes | No | No | No |

Low Profile Outrigger Option

- Available only on fixed base, platform, fork, hydraulic or winch 1,000 lb. capacity stackers.
- Standard stacker outrigger height - 5 1/2".
- Optional low profile height - 2 1/2".
- To order add "LP" to stacker Part #. Example: 260032-LP.



SINCE 1948

A 5 Year Guarantee Against Weld Failure. A Wesco Quality Exclusive.



Wesco® 1,500 and 2,000 lb Capacity Powered Telescoping Fork Stackers

- **1-year warranty.**
- **Proven quality: WESCO manufactured Hydraulic Cylinder.**
- **Meets ANSI B56.10 specifications.**
- **Adjustable forks.**
- Battery and charger included.
- Forks lower to floor on all models.
- Instant carriage stop for accuracy - no drifting.
- Heavy duty rigid frame and base.
- Double chain lift for better balance and load support.
- Heavy-duty pump.
- Ergonomic "D" handles.
- High strength mast for increased stability.
- Optional 5th wheel for easier overall mobility and turning in confined areas.
- **Power Drive Option NOT available on any telescoping stacker.**
- **SPECIAL ORDER: 110V AC available on 1,500 lb. capacity models only.**

■ To order add AC to the end of the battery powered stacker part #.

Example:

Battery Powered - **#261118**
110V AC Powered - **#261118AC**



Easily adjustable width legs



Adjustable Forks

261118
Shown with 261099
5th Wheel Option

OVERALL DIMENSIONS

| | | | | |
|----|-------|-------|-------|-------|
| w: | 48.5" | 48.5" | 48.5" | 48.5" |
| h: | 70.5" | 87.5" | 70.5" | 87.5" |
| d: | 68" | 68" | 68" | 68" |

Telescoping Models – Fixed Width Base – 2,000 Lb Capacity

OVERALL DIMENSIONS

| | | | | |
|----|-------|-------|-------|-------|
| w: | 57" | 57" | 57" | 57" |
| h: | 70.5" | 87.5" | 70.5" | 87.5" |
| d: | 68" | 68" | 68" | 68" |

Telescoping Models – Adjustable Width Base - 1,500 And 2,000 Lb Capacity

| Part # | 261120 | 261119 | 261124 | 261123 | 261117 | 261118 | 261115 | 261116 |
|------------------------|--------------------|---------------------|--------------------|---------------------|-------------------------|--------------------------|-----------------------|------------------------|
| Model # | PTSFL-96-42-42S-2K | PTSFL-130-42-42S-2K | PTSFL-96-42-50S-2K | PTSFL-130-42-50S-2K | PTASFL-96-42-3550S-1.5K | PTASFL-130-42-3550S-1.5K | PTASFL-96-42-3550S-2K | PTASFL-130-42-3550S-2K |
| Capacity | 2,000 lbs | 2,000 lbs | 2,000 lbs | 2,000 lbs | 1,500 lbs | 1,500 lbs | 2,000 lbs | 2,000 lbs |
| Lift Range | 1.5"-96" | 1.5"-130" | 1.5"-96" | 1.5"-130" | 1.5"-96" | 1.5"-130" | 1.5"-96" | 1.5"-130" |
| Leg ID/OD | 42"/48" | 42"/48" | 50"/56" | 50"/56" | 35"-50" ID Adj. | 35"-50" ID Adj. | 35"-50" ID Adj. | 35"-50" ID Adj. |
| Fork Size D x W x L | 1.5" x 3" x 42" | 1.5" x 3" x 42" | 1.5" x 3" x 42" | 1.5" x 3" x 42" | 1.5" x 3" x 42" | 1.5" x 3" x 42" | 1.5" x 3" x 42" | 1.5" x 3" x 42" |
| Outside Fork Spread | 7.4" to 30" | 7.4" to 30" | 7.4" to 30" | 7.4" to 30" | 7.4" to 30" | 7.4" to 30" | 7.4" to 30" | 7.4" to 30" |
| Load Center | 24" | 24" | 24" | 24" | 24" | 24" | 24" | 24" |
| Weight | 995 lbs | 1,240 lbs | 1,210 lbs | 1,240 lbs | 1,125 lbs | 1,280 lbs | 1,125 lbs | 1,285 lbs |



5th Wheel Steering Option for easier mobility and precision steering in confined areas. Available only on 1,500 and 2,000 lb models. 8" locking polyurethane wheels. Spring loaded handle. Turning radius: 73.5". Can be field installed. Order as separate option under Part # 261099



1,500-2,000 LB. POWER LIFT FORK STACKERS

*A 5 Year Guarantee Against Weld Failure.
A Wesco Quality Exclusive.*

1,500 & 2,000 lb Capacity Powered Stackers - Fork Models

- 1-year warranty.
- Proven quality: WESCO manufactured Hydraulic Cylinder.
- Meets ANSI B56.10 specifications.
- Battery and charger included.

- Adjustable forks:
 - Lower to floor on all models.
 - 3" wide x 25", 30" and 42" long.
 - OD adjustment from 6" to 24.5" or 29" maximum width.
- Adjustable base legs available on fork models.
- Reinforced frame and base.
- Double chain, lift support.
- Heavy-duty pump.
- Ergonomic "D" handles.
- 5th wheel option see page 65.

- Power Drive Option available: see **page 67** for details. Add "-PD" to end of Part #.
- **SPECIAL ORDER: 110V AC available on 1,500 lb. capacity models only.**

■ To order add AC to the end of the battery powered stacker part #.

Example:

Battery Powered - **#261079**
 110V AC Powered - **#261079AC**
 #261055-PD with Power Drive Option



5.875" ↑

261053



30 Fixed and 6 Adjustable Base Leg Fork Models

| Part # | Model # | Lift Height | Overall Height | Weight lbs | Capacity lbs | Load Center | Fork Width/Length | Base Leg ID/OD | Adj. Fork Min./Max. OD |
|--------|------------------------|-------------|----------------|------------|--------------|-------------|-------------------|-----------------|------------------------|
| 261079 | PSFL-56-25-15S-1.5K | 56" | 72" | 512 | 1,500 | 15" | 3"/25" | 15"/21" | 6" / 24.5" |
| 261080 | PSFL-64-25-15S-1.5K | 64" | 83" | 532 | 1,500 | 15" | 3"/25" | 15"/21" | 6" / 24.5" |
| 261081 | PSFL-76-25-15S-1.5K | 76" | 94" | 596 | 1,500 | 15" | 3"/25" | 15"/21" | 6" / 24.5" |
| 261082 | PSFL-86-25-15S-1.5K | 86" | 104" | 642 | 1,500 | 15" | 3"/25" | 15"/21" | 6" / 24.5" |
| 261083 | PSFL-56-25-20S-1.5K | 56" | 72" | 523 | 1,500 | 15" | 3"/25" | 20"/26" | 6" / 24.5" |
| 261084 | PSFL-64-25-20S-1.5K | 64" | 83" | 543 | 1,500 | 15" | 3"/25" | 20"/26" | 6" / 24.5" |
| 261085 | PSFL-76-25-20S-1.5K | 76" | 94" | 607 | 1,500 | 15" | 3"/25" | 20"/26" | 6" / 24.5" |
| 261086 | PSFL-86-25-20S-1.5K | 86" | 104" | 654 | 1,500 | 15" | 3"/25" | 20"/26" | 6" / 24.5" |
| 261092 | PSFL-56-25-20S-2K | 56" | 72" | 523 | 2,000 | 15" | 3"/25" | 20"/26" | 6" / 24.5" |
| 261093 | PSFL-64-25-20S-2K | 64" | 83" | 558 | 2,000 | 15" | 3"/25" | 20"/26" | 6" / 24.5" |
| 261094 | PSFL-76-25-20S-2K | 76" | 94" | 611 | 2,000 | 15" | 3"/25" | 20"/26" | 6" / 24.5" |
| 261095 | PSFL-86-25-20S-2K | 86" | 104" | 659 | 2,000 | 15" | 3"/25" | 20"/26" | 6" / 24.5" |
| 261059 | PSFL-64-30-30S-1.5K | 64" | 83" | 566 | 1,500 | 18" | 3"/30" | 30"/36" | 6" / 29" |
| 261060 | PSFL-76-30-30S-1.5K | 76" | 94" | 630 | 1,500 | 18" | 3"/30" | 30"/36" | 6" / 29" |
| 261061 | PSFL-86-30-30S-1.5K | 86" | 104" | 677 | 1,500 | 18" | 3"/30" | 30"/36" | 6" / 29" |
| 261044 | PSFL-64-30-30S-2K | 64" | 83" | 571 | 2,000 | 18" | 3"/30" | 30"/36" | 6" / 29" |
| 261045 | PSFL-76-30-30S-2K | 76" | 94" | 635 | 2,000 | 18" | 3"/30" | 30"/36" | 6" / 29" |
| 261046 | PSFL-86-30-30S-2K | 86" | 104" | 682 | 2,000 | 18" | 3"/30" | 30"/36" | 6" / 29" |
| 261062 | PSFL-64-42-42S-1.5K | 64" | 83" | 571 | 1,500 | 24" | 3"/42" | 42"/48" | 6" / 29" |
| 261063 | PSFL-76-42-42S-1.5K | 76" | 94" | 637 | 1,500 | 24" | 3"/42" | 42"/48" | 6" / 29" |
| 261064 | PSFL-86-42-42S-1.5K | 86" | 104" | 688 | 1,500 | 24" | 3"/42" | 42"/48" | 6" / 29" |
| 261047 | PSFL-64-42-42S-2K | 64" | 83" | 577 | 2,000 | 24" | 3"/42" | 42"/48" | 6" / 29" |
| 261048 | PSFL-76-42-42S-2K | 76" | 94" | 642 | 2,000 | 24" | 3"/42" | 42"/48" | 6" / 29" |
| 261049 | PSFL-86-42-42S-2K | 86" | 104" | 693 | 2,000 | 24" | 3"/42" | 42"/48" | 6" / 29" |
| 261065 | PSFL-64-42-50S-1.5K | 64" | 83" | 577 | 1,500 | 24" | 3"/42" | 50"/56" | 6" / 29" |
| 261066 | PSFL-76-42-50S-1.5K | 76" | 94" | 642 | 1,500 | 24" | 3"/42" | 50"/56" | 6" / 29" |
| 261067 | PSFL-86-42-50S-1.5K | 86" | 104" | 693 | 1,500 | 24" | 3"/42" | 50"/56" | 6" / 29" |
| 261050 | PSFL-64-42-50S-2K | 64" | 83" | 582 | 2,000 | 24" | 3"/42" | 50"/56" | 6" / 29" |
| 261051 | PSFL-76-42-50S-2K | 76" | 94" | 647 | 2,000 | 24" | 3"/42" | 50"/56" | 6" / 29" |
| 261052 | PSFL-86-42-50S-2K | 86" | 104" | 698 | 2,000 | 24" | 3"/42" | 50"/56" | 6" / 29" |
| 261068 | PASFL-64-42-3550S-1.5K | 64" | 83" | 587 | 1,500 | 24" | 3"/42" | 35"-50" ID ADJ. | 6" / 29" |
| 261069 | PASFL-76-42-3550S-1.5K | 76" | 94" | 652 | 1,500 | 24" | 3"/42" | 35"-50" ID ADJ. | 6" / 29" |
| 261070 | PASFL-86-42-3550S-1.5K | 86" | 104" | 703 | 1,500 | 24" | 3"/42" | 35"-50" ID ADJ. | 6" / 29" |
| 261053 | PASFL-64-42-3550S-2K | 64" | 83" | 592 | 2,000 | 24" | 3"/42" | 35"-50" ID ADJ. | 6" / 29" |
| 261054 | PASFL-76-42-3550S-2K | 76" | 94" | 657 | 2,000 | 24" | 3"/42" | 35"-50" ID ADJ. | 6" / 29" |
| 261055 | PASFL-86-42-3550S-2K | 86" | 104" | 708 | 2,000 | 24" | 3"/42" | 35"-50" ID ADJ. | 6" / 29" |

Adjustable Width Legs
6 Models



SINCE 1948



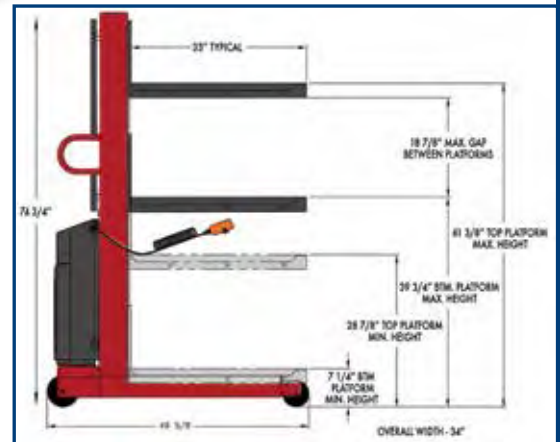
1,500 & 2,000 lb Capacity Powered Stackers - Platform Models

- 1-year warranty.
- Proven quality: WESCO manufactured Hydraulic Cylinder.
- Meets ANSI B56.10 specifications.
- Battery and charger included.
- Platform models lowered height 6".
- Adjustable base legs available on fork models only.
- Fixed platforms 24" x 24", 24" x 27", 30" x 32".
- Reinforced frame and base.
- Double chain, lift support.
- Dual platform stacker #262056, call for details.
- Heavy-duty pump.
- Ergonomic "D" handles.
- 5th wheel option see page 65.
- Power Drive Option available: see below for details. Add "-PD" to end of Part #.
- To order add AC to the end of the battery powered stacker part #.

Example:

Battery Powered 110V AC Powered
 #261074 #261074AC
 #261087-PD with Power Drive Option

- **SPECIAL ORDER: 110V AC** available on 1,500 lb. capacity models only.



Fixed Base Leg Platform Models

| Part # | Model # | Lift Height | Overall Height | Weight lbs | Capacity lbs | Load Center | Platform Width/Length | Base Leg ID/OD |
|--------|-----------------------|-------------|----------------|------------|--------------|-------------|-----------------------|----------------|
| 261074 | PSPL-60-2424-15S-1.5K | 60" | 72" | 468 | 1,500 | 15" | 24" x 24" | 15"/21" |
| 261075 | PSPL-68-2424-15S-1.5K | 68" | 83" | 482 | 1,500 | 15" | 24" x 24" | 15"/21" |
| 261076 | PSPL-80-2424-15S-1.5K | 80" | 94" | 523 | 1,500 | 15" | 24" x 24" | 15"/21" |
| 261077 | PSPL-90-2424-15S-1.5K | 90" | 104" | 563 | 1,500 | 15" | 24" x 24" | 15"/21" |
| 261088 | PSPL-60-2427-20S-2K | 60" | 72" | 476 | 2,000 | 15" | 27" x 24" | 20"/26" |
| 261089 | PSPL-68-2427-20S-2K | 68" | 83" | 487 | 2,000 | 15" | 27" x 24" | 20"/26" |
| 261090 | PSPL-80-2427-20S-2K | 80" | 94" | 530 | 2,000 | 15" | 27" x 24" | 20"/26" |
| 261091 | PSPL-90-2427-20S-2K | 90" | 104" | 569 | 2,000 | 15" | 27" x 24" | 20"/26" |
| 261071 | PSPL-60-3032-30S-1.5K | 60" | 72" | 479 | 1,500 | 18" | 32" x 30" | 30"/36" |
| 261072 | PSPL-68-3032-30S-1.5K | 68" | 83" | 492 | 1,500 | 18" | 32" x 30" | 30"/36" |
| 261073 | PSPL-80-3032-30S-1.5K | 80" | 94" | 534 | 1,500 | 18" | 32" x 30" | 30"/36" |
| 261078 | PSPL-90-3032-30S-1.5K | 90" | 104" | 573 | 1,500 | 18" | 32" x 30" | 30"/36" |
| 261056 | PSPL-60-3032-30S-2K | 60" | 72" | 484 | 2,000 | 18" | 32" x 30" | 30"/36" |
| 261057 | PSPL-68-3032-30S-2K | 68" | 83" | 497 | 2,000 | 18" | 32" x 30" | 30"/36" |
| 261058 | PSPL-80-3032-30S-2K | 80" | 94" | 539 | 2,000 | 18" | 32" x 30" | 30"/36" |
| 261087 | PSPL-90-3032-30S-2K | 90" | 104" | 578 | 2,000 | 18" | 32" x 30" | 30"/36" |
| 262056 | PDPL-61-3033-30S-2K | 61.375" | 74.75" | 674 | 2,000 | 18.25" | 33" x 30" | 30"/36" |



Model #
 PSFL-86-25-20S-2K-PD
 2,000 lb. capacity and
 86" lift height



Easy fingertip controls.



High torque motor drive.

Optional Power Drive System for Fork and Platform Stackers

- Variable speed, steerable power drive system allows a single user to easily control forward and reverse movement of stacker.
- Simple to use finger-tip controls are built into steering handle.
- 180° hinged design allows precision steering in confined spaces.
- Spring-loaded mechanism automatically compensates for uneven floors ensuring drive wheels maintain constant contact with floor.
- Two maintenance-free sealed batteries provide plenty of power for propulsion and lift.
- 1,000 - 2,000 lb. capacities.
- Automatic emergency safety switch instantly reverses direction if control post comes in contact with obstacle.



Model #
 PESPL-80-2424-PD
 1,000 lb. capacity
 platform model with
 80" lift height



Model # PCBFL-64-25-PD
 1,000 lb. capacity
 counter-balance model

Battery Powered System provides both propulsion and lift!
Eliminates the stress and strain of lifting and transporting heavy loads. All Wesco power lift stackers can be ordered as power drive models (except for telescoping models). All other operating specifications are the same as equivalent power lift-only models. To order, simply add "-PD" to the end of the Model #.

EQUIPMENT

Features:

- Capacity ranges from 200 to 6,000 lbs.
- Solid steel top and base construction.
- Casters provide easy mobility.
- Floor locks are standard on all 500 lb.+ capacity tables.



LT-02-1616



LT-10-1836



LT-60-2436

Wesco Standard Duty Tables (200 - 1,000 lb Capacities)

- 1-year warranty.
- LT-02-1616 has four 3" hard rubber swivel casters.
- LT-02-1616 ships via UPS knocked down.
- LT-05 and LT-10 models feature 2 rigid and 2 swivel 4" phenolic resin roller bearing wheel casters.
- 7 Gauge steel top and base.
- 3/8" lift per stroke.

| | OVERALL DIMENSIONS | | | |
|----|--------------------|-------|--------|--------|
| w: | 16" | 18" | 18" | 18" |
| h: | 28.5" | 28.5" | 30.5" | 30.5" |
| d: | 16" | 16" | 21.25" | 39.25" |

Wesco Medium & Heavy Duty Tables (2,000-6,000 lb Capacities)

- 1-year warranty.
- LT models feature 2 rigid and 2 swivel 6" phenolic resin roller bearing wheel casters.
- Four support posts and push handle.
- Foot operated floor lock.
- LTL models feature 2 rigid and 2 swivel 4" phenolic resin roller bearing wheel casters.
- Wesco made hydraulic pump with 3/8" lift per stroke.

| | OVERALL DIMENSIONS | | | | | | | |
|----|--------------------|--------|--------|--------|--------|--------|--------|--------|
| w: | 24" | 32" | 24" | 32" | 24" | 32" | 24" | 32" |
| h: | 30.5" | 30.5" | 37" | 37" | 37" | 37" | 37" | 37" |
| d: | 39.25" | 51.25" | 39.25" | 51.25" | 39.25" | 51.25" | 39.25" | 51.25" |

| Part # | 260059 | 260060 | 260061 | 260062 | 260063 | 260064 | 260065 | 260066 | 260067 | 260068 | 260069 |
|------------------|------------|------------|------------|-------------|-------------|------------|------------|------------|------------|------------|------------|
| Model # | LT-02-1616 | LT-05-1818 | LT-10-1836 | LTL-20-2436 | LTL-20-3248 | LT-20-2436 | LT-20-3248 | LT-40-2436 | LT-40-3248 | LT-60-2436 | LT-60-3248 |
| Capacity | 200 lbs | 500 lbs | 1,000 lbs | 2,000 lbs | 2,000 lbs | 2,000 lbs | 2,000 lbs | 4,000 lbs | 4,000 lbs | 6,000 lbs | 6,000 lbs |
| Table Size W x L | 16" x 16" | 18" x 18" | 18" x 36" | 24" x 36" | 32" x 48" | 24" x 36" | 32" x 48" | 24" x 36" | 32" x 48" | 24" x 36" | 32" x 48" |
| Lowered Height | 28.5" | 30.5" | 30.5" | 30.5" | 30.5" | 37" | 37" | 37" | 37" | 37" | 37" |
| Raised Height | 46" | 47.5" | 47.5" | 47.5" | 47.5" | 59" | 59" | 59" | 59" | 59" | 59" |
| Caster Size | 3" | 4" | 4" | 4" | 4" | 6" | 6" | 6" | 6" | 6" | 6" |
| Support Posts | None | 2 | 2 | 4 | 4 | 4 | 4 | 4 | 4 | 4 | 4 |
| Weight | 54 lbs | 122 lbs | 168 lbs | 308 lbs | 350 lbs | 339 lbs | 465 lbs | 349 lbs | 475 lbs | 359 lbs | 485 lbs |

Value Lift Tables

- Polyurethane casters.
- Foot operated pump and release.
- Ships KD.
- 36 pumps to fully raised height.



272469



272470

| | OVERALL DIMENSIONS | |
|----|--------------------|-----|
| w: | 16" | 18" |
| h: | 29" | 30" |
| d: | 16" | 18" |

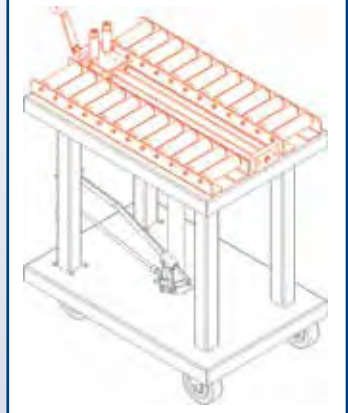
| Part # | 272469 | 272470 |
|-----------------|---------------|-------------------------|
| Model # | VLT200 | VLT500 |
| Capacity | 200 lbs | 500 lbs |
| Table Size | 16" x 16" | 18" x 18" |
| Lowered Height | 29" | 30" |
| Raised Height | 46" | 48" |
| Support Posts | None | Two |
| Floor Lock (FL) | N/A | Yes |
| Caster Size | (4) swivel 3" | (2) rigid (2) swivel 4" |
| Weight | 76 lbs | 153 lbs |

5 Table-Top Options

- Factory installed only.
- Call for price.
- Not available on 16" or 18" wide tables.
- For both manual and powered Wesco-made tables only.
- Table capacity determines option capacity.
- Roller: diameter 1.9" with 7/16" hex axle.
- 1 3/8" diameter ball transfer.
- Push-Pull and Roller Top options have two directions of travel: length or width.
- To order:
 - select table Part No. (manual or powered).
 - select Option and add as suffix to table Part No.
 - Example: 260062-PPL.
 - 24" x 36", 2,000 lb. capacity, manual table with a Push-Pull option that travels the length of the table.



PPL (Push-Pull)



Travel: Length of table

Suffix Code: PPL

Table top to top of roller: 3"

Remote control for raising/lowering. Magnets on back of remote allow for storage anywhere on table.



261102



Powered Lift Tables

- 1-year warranty.
- Up to 6,000 lbs capacity.
- High volume output pump raises 1.5" per second without load.
- Standard floor lock holds table steady for loading and unloading.
- Easy to read illuminated battery status voltmeter.
- With a minimally charged battery, unit can be used while recharging.

Push-pull, roller and ball tops available on Wesco 24" x 36" and 32" x 48" manual and power tables.

Available with Power Drive

- Combines power lift and power drive capabilities.
- Power drive option weighs 160 lbs.
- To order Power Drive, add -PD to the end of Model #.

Example:

Lift Table Power Drive
#PLT-10-1836 #PLT-10-1836-PD

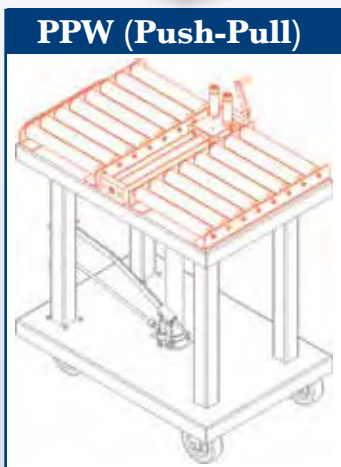


Shown With Power Drive Option - 261105-PD

OVERALL DIMENSIONS

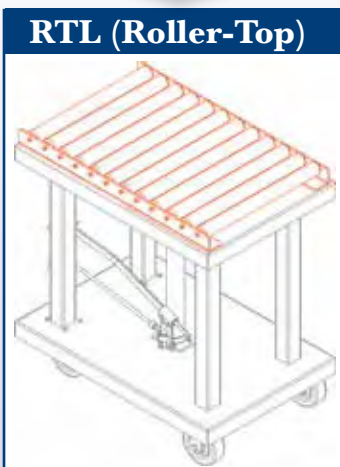
| | | | | | | | | | |
|----|--------|--------|--------|--------|--------|--------|--------|--------|--------|
| w: | 18" | 24" | 32" | 24" | 32" | 24" | 32" | 24" | 32" |
| h: | 30.5" | 30.5" | 30.5" | 37" | 37" | 37" | 37" | 37" | 37" |
| d: | 39.25" | 39.25" | 51.25" | 39.25" | 51.25" | 39.25" | 51.25" | 39.25" | 51.25" |

| Part # | 261108 | 261100 | 261101 | 261102 | 261103 | 261104 | 261105 | 261106 | 261107 |
|-----------------|-------------|--------------|--------------|-------------|-------------|-------------|-------------|-------------|-------------|
| Model # | PLT-10-1836 | PLTL-20-2436 | PLTL-20-3248 | PLT-20-2436 | PLT-20-3248 | PLT-40-2436 | PLT-40-3248 | PLT-60-2436 | PLT-60-3248 |
| Capacity | 1,000 lbs | 2,000 lbs | 2,000 lbs | 2,000 lbs | 2,000 lbs | 4,000 lbs | 4,000 lbs | 6,000 lbs | 6,000 lbs |
| Table Top W x L | 18" x 36" | 24" x 36" | 32" x 48" | 24" x 36" | 32" x 48" | 24" x 36" | 32" x 48" | 24" x 36" | 32" x 48" |
| Raised Ht | 47.5" | 47.5" | 47.5" | 59" | 59" | 59" | 59" | 59" | 59" |
| Lowered Ht | 30.5" | 30.5" | 30.5" | 37" | 37" | 37" | 37" | 37" | 37" |
| Caster Size | 4" | 4" | 4" | 6" | 6" | 6" | 6" | 6" | 6" |
| Weight | 415 lbs | 472 lbs | 597 lbs | 567 lbs | 607 lbs | 597 lbs | 607 lbs | 597 lbs | 607 lbs |



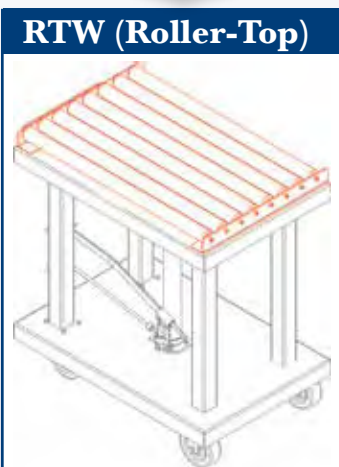
PPW (Push-Pull)

Travel: Width of table
 Suffix Code: PPW
 Table top to top of roller: 3"



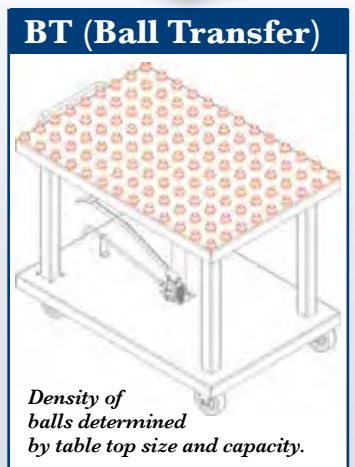
RTL (Roller-Top)

Travel: Length of table
 Suffix Code: RTL
 Table top to top of roller: 3"



RTW (Roller-Top)

Travel: Width of table
 Suffix Code: RTW
 Table top to top of roller: 3"



BT (Ball Transfer)

Density of balls determined by table top size and capacity.

1" diameter balls
 Suffix Code: BT
 Table top to top of ball: 1 3/8"



HT-200-FR

Also see Wesco Lift Tables on page 68.



LT-02-1616



LT-05-1818

200 lb. Capacity Foot Operated Hydraulic Lift Table

- 1-year warranty.
- Top and base 1/4" steel.
- Top rotates 360°.
- 4 swivel 2" diameter rubber casters.

300 lb. Capacity Foot Operated Hydraulic Lift Table

- 1-year warranty.
- Top and base 3/8" steel.
- 2 rigid and 2 swivel 3 1/2" diameter rubber casters.
- Optional phenolic resin and polyurethane caster wheels.
- Floor lock.
- Two posts.

| Part # | 492220 | 492221 | 492222 | 492223 | 492224 | 492225 | 492226 | 492227 | 492228 |
|----------------|-----------|-----------|-----------|-----------|-----------|-----------|-----------|-----------|-----------|
| Model # | HT-200-FR | HT-203-FR | HT-201-FR | HT-209-FR | HT-300-FR | HT-318-FR | HT-316-FR | HT-314-FR | HT-312-FR |
| Capacity | 200 lbs | 200 lbs | 200 lbs | 200 lbs | 300 lbs | 300 lbs | 300 lbs | 300 lbs | 300 lb |
| Table Size | 16" x 16" | 16" x 16" | 16" x 16" | 16" x 16" | 18" x 18" | 18" x 18" | 18" x 18" | 18" x 18" | 18" x 18" |
| Lowered Height | 26" | 24" | 22" | 20" | 30" | 28" | 26" | 24" | 22" |
| Raised Height | 44" | 40" | 36" | 32" | 48" | 46" | 42" | 38" | 34" |
| Caster Size | 2" | 2" | 2" | 2" | 3.5" | 3.5" | 3.5" | 3.5" | 3.5" |
| Lift | 18" | 16" | 14" | 12" | 18" | 18" | 16" | 14" | 12" |
| Weight | 53 lbs | 52 lbs | 51 lbs | 50 lbs | 135 lbs | 131 lbs | 128 lbs | 124 lbs | 121 lbs |

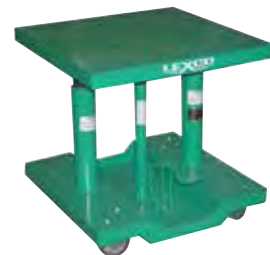


400 lb. & 500 lb. Capacity Foot Operated Hydraulic Lift Table

- 1-year warranty.
- Top and base 12 gauge steel.
- 2 rigid and 2 swivel 5" diameter rubber casters.
- Floor lock.
- Optional phenolic resin, polyurethane and steel caster wheels.
- Precision telescoping guide tubes.



HT-500-FR

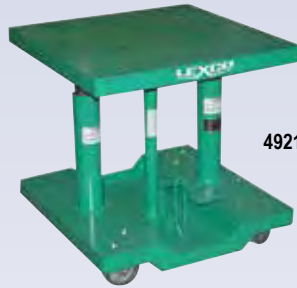


HT-2388-05-FR with Drop-Base

| Part # | 492229 | 492230 | 492231 | 492232 | 496037 | 492234 | 492235 | 492236 | 492237 | 492238 |
|------------------|-----------|-----------|-----------|-----------|-----------|---------------|---------------|---------------|---------------|---------------|
| Model # | HT-400-FR | HT-416-FR | HT-414-FR | HT-412-FR | HT-500-FR | HT-2388-05-FR | HT-2368-05-FR | HT-2346-05-FR | HT-2324-05-FR | HT-2302-05-FR |
| Capacity | 400 lbs | 400 lbs | 400 lbs | 400 lbs | 500 lbs | 500 lbs | 500 lbs | 500 lbs | 500 lbs | 500 lbs |
| Table Size W x L | 18" x 24" | 18" x 24" | 18" x 24" | 18" x 24" | 20" x 30" | 20" x 30" | 20" x 30" | 20" x 30" | 20" x 30" | 20" x 30" |
| Lowered Height | 30" | 28" | 26" | 24" | 30" | 28" | 26" | 24" | 22" | 20" |
| Raised Height | 48" | 44" | 40" | 36" | 48" | 46" | 44" | 40" | 36" | 32" |
| Caster Size | 5" | 5" | 5" | 5" | 5" | 5" | 5" | 5" | 5" | 5" |
| Lift | 18" | 16" | 14" | 12" | 18" | 18" | 18" | 16" | 14" | 12" |
| Weight | 119 lbs | 115 lbs | 112 lbs | 108 lbs | 142 lbs | 173 lbs | 180 lbs | 176 lbs | 170 lbs | 164 lbs |
| Base | Flat | Flat | Flat | Flat | Flat | Drop | Drop | Drop | Drop | Drop |



492204



492199



499811
(20" x 30" #492205 Table with #499206 Optional Push-Pull attached.)



2,000 lb. Capacity Foot Operated Hydraulic Lift Table

- **1-year warranty.**
- Precision telescoping guide tubes.
- 1/4" reinforced steel top and base.
- 5" diameter steel caster wheels.
- 2 rigid/2 swivel/1 floor lock on 20" x 30" and 30" x 30" models.
- 4 swivel casters/2 floor locks on 30" x 48" models.
- AC & DC power custom tables available. **Call for details.**
- Compatible with optional Push Pull Conveyor Top.
- **Push Pull Die Conveyor Top may be ordered separately without table or attached to table top at factory.**

| Part # | 492204 | 492205 | 492206 | 492207 | 492208 | 492209 |
|---|------------------|------------------|------------------|------------------|------------------|------------------|
| Model # | HT-2338-2F | HT-2388-2F | HT-2368-2F | HT-2346-2F | HT-2324-2F | HT-2302-2F |
| Capacity | 2,000 lbs | 2,000 lbs | 2,000 lbs | 2,000 lbs | 2,000 lbs | 2,000 lbs |
| Table Size | 20" x 30" | 20" x 30" | 20" x 30" | 20" x 30" | 20" x 30" | 20" x 30" |
| Lowered Height | 30" | 28" | 26" | 24" | 22" | 20" |
| Raised Height | 48" | 46" | 44" | 40" | 36" | 32" |
| 5" Steel Caster | 2 rigid/2 swivel | 2 rigid/2 swivel | 2 rigid/2 swivel | 2 rigid/2 swivel | 2 rigid/2 swivel | 2 rigid/2 swivel |
| Lift | 18" | 18" | 18" | 16" | 14" | 12" |
| Weight | 215 lbs | 216 lbs | 224 lbs | 220 lbs | 213 lbs | 208 lbs |
| ↓ TABLE WITH PUSH-PULL ATTACHED AT FACTORY ↓ | | | | | | |
| Part # | 499800 | 499811 | 499820 | 499821 | 499822 | 499823 |
| Model # | HTP-2338-2F | HTP-2388-2F | HTP-2368-2F | HTP-2346-2F | HTP-2324-2F | HTP-2302-2F |
| Lowered Height | 33" | 31" | 29" | 27" | 25" | 23" |
| Raised Height | 51" | 49" | 47" | 43" | 39" | 35" |

| Part # | 492193 | 492199 | 492200 | 492201 | 492202 | 492203 | 492210 | 492211 | 492212 | 492213 | 492214 | 492215 |
|---|------------------|------------------|------------------|------------------|------------------|------------------|------------------|------------------|------------------|------------------|------------------|------------------|
| Model # | HT-3338-2F | HT-3388-2F | HT-3368-2F | HT-3346-2F | HT-3324-2F | HT-3302-2F | HT-3438-2F | HT-3488-2F | HT-3468-2F | HT-3446-2F | HT-3424-2F | HT-3402-2F |
| Capacity | 2,000 lbs | 2,000 lbs | 2,000 lbs | 2,000 lbs | 2,000 lbs | 2,000 lbs | 2,000 lbs | 2,000 lbs | 2,000 lbs | 2,000 lbs | 2,000 lbs | 2,000 lbs |
| Table Size | 30" x 30" | 30" x 30" | 30" x 30" | 30" x 30" | 30" x 30" | 30" x 30" | 30" x 48" | 30" x 48" | 30" x 48" | 30" x 48" | 30" x 48" | 30" x 48" |
| Lowered Height | 30" | 28" | 26" | 24" | 22" | 20" | 30" | 28" | 26" | 24" | 22" | 20" |
| Raised Height | 48" | 46" | 44" | 40" | 36" | 32" | 48" | 46" | 44" | 40" | 36" | 32" |
| 5" Steel Caster | 2 rigid/2 swivel | 2 rigid/2 swivel | 2 rigid/2 swivel | 2 rigid/2 swivel | 2 rigid/2 swivel | 2 rigid/2 swivel | 2 rigid/2 swivel | 2 rigid/2 swivel | 2 rigid/2 swivel | 2 rigid/2 swivel | 2 rigid/2 swivel | 2 rigid/2 swivel |
| Lift | 18" | 18" | 18" | 16" | 14" | 12" | 18" | 18" | 18" | 16" | 14" | 12" |
| Weight | 276 lbs | 274 lbs | 284 lbs | 280 lbs | 274 lbs | 268 lbs | 460 lbs | 472 lbs | 482 lbs | 478 lbs | 472 lbs | 466 lbs |
| ↓ TABLE WITH PUSH-PULL ATTACHED AT FACTORY ↓ | | | | | | | | | | | | |
| Part # | 499824 | 499825 | 499826 | 499827 | 499828 | 499829 | 499830 | 499831 | 499832 | 499833 | 499834 | 499835 |
| Model # | HTP-3338-2F | HTP-3388-2F | HTP-3368-2F | HTP-3346-2F | HTP-3324-2F | HTP-3302-2F | HTP-3438-2F | HTP-3488-2F | HTP-3468-2F | HTP-3446-2F | HTP-3424-2F | HTP-3402-2F |
| Lowered Height | 33" | 31" | 29" | 27" | 25" | 23" | 33" | 31" | 29" | 27" | 25" | 23" |
| Raised Height | 51" | 49" | 47" | 43" | 39" | 35" | 51" | 49" | 47" | 43" | 39" | 35" |

Optional Manual Push-Pull Conveyor Tops (Top only/without table.)

- **Optional top only, mounted on 1/4" steel plate. Table not included.**
- **1-year warranty.**
- Easier method for pushing and pulling loads to and from the unit.

- 5-lb. effort required to crank the handle.
- Sold as stand alone unit or assembled onto table.
- **Fits only 2,000 lb Lexco Model HT Lift Tables.**
- Fits 3 sizes of table tops: 20" x 30", 30" x 30" and 30" x 48" only.
- Drilling and layout required if purchased without table.

| Part # | 499206 | 499235 | 499237 |
|----------------------|-----------|-----------|-----------|
| Model # | 1098 | 1106 | SP-5746 |
| Capacity | 2,000 lbs | 2,000 lbs | 2,000 lbs |
| Fits Table Top W x L | 20" x 30" | 30" x 30" | 30" x 48" |
| Max. Die Size W x L | 20" x 23" | 30" x 23" | 30" x 41" |
| Direction of Travel | 30" | 30" | 48" |
| Weight | 123 lbs | 143 lbs | 225 lb |



Photo illustrates Optional #499206 Push-Pull top. TABLE NOT INCLUDED.

EQUIPMENT

3,000 - 6,000 lb. Foot Operated or Powered Portable Hydraulic Lift Tables

- **1-year warranty.**
- AC and DC power options available.
- 1/4" steel top and base.
- 2 rigid and 2 swivel steel wheel casters.
- Standard designs available in 2 sizes: 30" x 30" and 48" x 30".
- Available in 4 capacities: 3,000 4,000 5,000 and 6,000.
- Precision telescoping guide tubes.
- Stabilizers included on 4,000, 5,000 and 6,000 models.



HT-3043-23

30" x 30" Tables

| Part # | 496043 | 496044 | 496045 | 496046 | 496047 | 496048 | 496049 | 496050 | 496051 | 496038 |
|---------------------|------------|------------|------------|------------|------------|------------|------------|------------|------------|------------|
| Model # | HT-3033-23 | HT-3033-22 | HT-3033-20 | HT-3033-18 | HT-3033-16 | HT-3034-23 | HT-3034-22 | HT-3034-20 | HT-3034-18 | HT-3034-16 |
| Capacity | 3,000 lbs | 3,000 lbs | 3,000 lbs | 3,000 lbs | 3,000 lbs | 4,000 lbs | 4,000 lbs | 4,000 lbs | 4,000 lbs | 4,000 lbs |
| Table Size | 30" x 30" | 30" x 30" | 30" x 30" | 30" x 30" | 30" x 30" | 30" x 30" | 30" x 30" | 30" x 30" | 30" x 30" | 30" x 30" |
| Raised Height | 54" | 52" | 48" | 44" | 40" | 54" | 52" | 48" | 44" | 40" |
| Lowered Height | 31" | 30" | 28" | 26" | 24" | 31" | 30" | 28" | 26" | 24" |
| Casters | 6" | 6" | 6" | 6" | 6" | 6" | 6" | 6" | 6" | 6" |
| Weight - Foot Pedal | 437 lbs | 433 lbs | 423 lbs | 413 lbs | 402 lbs | 448 lbs | 444 lbs | 433 lbs | 423 lbs | 407 lbs |
| Weight - Electric | 488 lbs | 484 lbs | 474 lbs | 464 lbs | 498 lbs | 499 lbs | 495 lbs | 484 lbs | 474 lbs | 458 lbs |

| Part # | 496052 | 496053 | 496054 | 496055 | 496056 | 496057 | 496058 | 496059 | 496060 | 496061 |
|---------------------|------------|------------|------------|------------|------------|------------|------------|------------|------------|------------|
| Model # | HT-3035-23 | HT-3035-22 | HT-3035-20 | HT-3035-18 | HT-3035-16 | HT-3036-23 | HT-3036-22 | HT-3036-20 | HT-3036-18 | HT-3036-16 |
| Capacity | 5,000 lbs | 5,000 lbs | 5,000 lbs | 5,000 lbs | 5,000 lbs | 6,000 lbs | 6,000 lbs | 6,000 lbs | 6,000 lbs | 6,000 lbs |
| Table Size | 30" x 30" | 30" x 30" | 30" x 30" | 30" x 30" | 30" x 30" | 30" x 30" | 30" x 30" | 30" x 30" | 30" x 30" | 30" x 30" |
| Raised Height | 54" | 52" | 48" | 44" | 40" | 54" | 52" | 48" | 44" | 40" |
| Lowered Height | 31" | 30" | 28" | 26" | 24" | 31" | 30" | 28" | 26" | 24" |
| Casters | 6" | 6" | 6" | 6" | 6" | 6" | 6" | 6" | 6" | 6" |
| Weight - Foot Pedal | 476 lbs | 472 lbs | 461 lbs | 451 lbs | 435 lbs | 480 lbs | 476 lbs | 465 lbs | 454 lbs | 437 lbs |
| Weight - Electric | 527 lbs | 523 lbs | 512 lbs | 502 lbs | 486 lbs | 531 lbs | 527 lbs | 516 lbs | 505 lbs | 488 lbs |

48" x 30" Tables

| Part # | 496062 | 496063 | 496064 | 496065 | 496066 | 496067 | 496068 | 496069 | 496070 | 496071 |
|---------------------|------------|------------|------------|------------|------------|------------|------------|------------|------------|------------|
| Model # | HT-3043-23 | HT-3043-22 | HT-3043-20 | HT-3043-18 | HT-3043-16 | HT-3044-23 | HT-3044-22 | HT-3044-20 | HT-3044-18 | HT-3044-16 |
| Capacity | 3,000 lbs | 3,000 lbs | 3,000 lbs | 3,000 lbs | 3,000 lbs | 4,000 lbs | 4,000 lbs | 4,000 lbs | 4,000 lbs | 4,000 lbs |
| Table Size | 48" x 30" | 48" x 30" | 48" x 30" | 48" x 30" | 48" x 30" | 48" x 30" | 48" x 30" | 48" x 30" | 48" x 30" | 48" x 30" |
| Raised Height | 54" | 52" | 48" | 44" | 40" | 54" | 52" | 48" | 44" | 40" |
| Lowered Height | 31" | 30" | 28" | 26" | 24" | 31" | 30" | 28" | 26" | 24" |
| Casters | 6" | 6" | 6" | 6" | 6" | 6" | 6" | 6" | 6" | 6" |
| Weight - Foot Pedal | 555 lbs | 551 lbs | 540 lbs | 530 lbs | 520 lbs | 568 lbs | 563 lbs | 553 lbs | 543 lbs | 526 lbs |
| Weight - Electric | 606 lbs | 602 lbs | 591 lbs | 581 lbs | 571 lbs | 619 lbs | 614 lbs | 604 lbs | 594 lbs | 577 lbs |

| Part # | 496072 | 496073 | 496074 | 496075 | 496076 | 496077 | 496078 | 496079 | 496080 | 496081 |
|---------------------|------------|------------|------------|------------|------------|------------|------------|------------|------------|------------|
| Model # | HT-3045-23 | HT-3045-22 | HT-3045-20 | HT-3045-18 | HT-3045-16 | HT-3046-23 | HT-3046-22 | HT-3046-20 | HT-3046-18 | HT-3046-16 |
| Capacity | 5,000 lbs | 5,000 lbs | 5,000 lbs | 5,000 lbs | 5,000 lbs | 6,000 lbs | 6,000 lbs | 6,000 lbs | 6,000 lbs | 6,000 lbs |
| Table Size | 48" x 30" | 48" x 30" | 48" x 30" | 48" x 30" | 48" x 30" | 48" x 30" | 48" x 30" | 48" x 30" | 48" x 30" | 48" x 30" |
| Raised Height | 54" | 52" | 48" | 44" | 40" | 54" | 52" | 48" | 44" | 40" |
| Lowered Height | 31" | 30" | 28" | 26" | 24" | 31" | 30" | 28" | 26" | 24" |
| Casters | 6" | 6" | 6" | 6" | 6" | 6" | 6" | 6" | 6" | 6" |
| Weight - Foot Pedal | 600 lbs | 596 lbs | 585 lbs | 575 lbs | 559 lbs | 604 lbs | 600 lbs | 589 lbs | 578 lbs | 562 lbs |
| Weight - Electric | 651 lbs | 647 lbs | 636 lbs | 626 lbs | 610 lbs | 655 lbs | 651 lbs | 640 lbs | 629 lbs | 613 lbs |

Other sizes also available. Call for details.

- 30" wide x 60", 72", 96" and 120" long.
- 36" wide x 60", 72", 96" and 120" long.
- 48" wide x 60", 72", 96" and 120" long.
- These sizes with 2 rigid and 2 swivel 8" diameter steel wheel casters and two floor locks.

2,000 lb. Capacity Long-Deck Hydraulic Foot-Operated Lift Tables

- 1-year warranty.
- AC and DC power options available.
- Standard lift height 30" - 48".
- Optional lift ranges available, call factory.
- 10 gauge steel top.



- Foot operated.
- Precision telescoping guide tubes.
- 4 swivel 5" diameter steel wheels or optional polyurethane wheels.
- 2 floor locks.

Call for information on powered models.

| Part # | 492239 | 492240 | 492241 | 492242 | 492128 | 492129 | 492130 | 492131 |
|----------------|-------------|-------------|-------------|-------------|-------------|-------------|-------------|-------------|
| Model # | STN-2005-2F | STN-2006-2F | STN-2008-2F | STN-2010-2F | STN-3005-2F | STN-3006-2F | STN-3008-2F | STN-3010-2F |
| Capacity | 2,000 lbs | 2,000 lbs | 2,000 lbs | 2,000 lbs | 2,000 lbs | 2,000 lbs | 2,000 lbs | 2,000 lbs |
| Table Size | 5' x 20" | 6' x 20" | 8' x 20" | 10' x 20" | 5' x 30" | 6' x 30" | 8' x 30" | 10' x 30" |
| Raised Height | 48" | 48" | 48" | 48" | 48" | 48" | 48" | 48" |
| Lowered Height | 30" | 30" | 30" | 30" | 30" | 30" | 30" | 30" |
| Casters | 5" | 5" | 5" | 5" | 5" | 5" | 5" | 5" |
| Weight | 384 lbs | 400 lbs | 459 lbs | 505 lbs | 423 lbs | 457 lbs | 512 lbs | 568 lbs |

Call for information on powered models.

3,000 & 5,000 lb. Capacity Long-Deck Hydraulic Foot-Operated Lift Tables

- 1-year warranty.
- AC and DC power options available.
- Load stabilizer assembly on 5,000 lb models.
- 2 floor locks.
- Precision telescoping guide tubes.
- Table top 3,000 lb. models: .25" thick steel.
- Table top 5,000 lb. models: .25" thick steel.



STN-3608-5F
With Load Stabilizer

| Part # | 492250 | 492251 | 492252 | 492253 | 492254 | 492255 | 492256 | 492257 |
|----------------|-------------------------------|-------------------------------|-------------------------------|-------------------------------|--|--|--|--|
| Model # | STN-3605-3F | STN-3606-3F | STN-3608-3F | STN-3610-3F | STN-3605-5F | STN-3606-5F | STN-3608-5F | STN-3610-5F |
| Capacity | 3,000 lbs | 3,000 lbs | 3,000 lbs | 3,000 lbs | 5,000 lbs | 5,000 lbs | 5,000 lbs | 5,000 lbs |
| Table Size | 5' x 36" | 6' x 36" | 8' x 36" | 10' x 36" | 5' x 36" | 6' x 36" | 8' x 36" | 10' x 36" |
| Raised Height | 56.375" | 56.375" | 56.375" | 56.375" | 53.125" | 53.125" | 53.125" | 53.125" |
| Lowered Height | 36.375" | 36.375" | 36.375" | 36.375" | 33.125" | 33.125" | 33.125" | 33.125" |
| Casters | 8" steel wheels 4 / swivel | 8" steel wheels 4 / swivel | 8" steel wheels 4 / swivel | 8" steel wheels 4 / swivel | 8" steel wheels 2 swivel & brake 2 rigid | 8" steel wheels 2 swivel & brake 2 rigid | 8" steel wheels 2 swivel & brake 2 rigid | 8" steel wheels 2 swivel & brake 2 rigid |
| Weight | 811 lbs | 846 lbs | 954 lbs | 1,026 lbs | 1,010 lbs | 1,074 lbs | 1,397 lbs | 1,486 lbs |



Call for information on powered models.

Model DH-3005-43

The DH series hydraulic die handler is a cost effective mobile die cart that allows you to transport, separate, and present your dies for service and maintenance.

2,000, 3,000 & 4,000 lb. Capacity Die Handlers

- 1-year warranty.
- Heavy-duty steel adjustable clamps for gripping the upper die set for separation.
- Floor lock.
- Precision telescoping guide tubes.
- Rigid die hangers with 360° indexing plate.
- Optional gantry heights available upon request.

| Part # | 499243 | 499244 | 499245 | 499246 |
|--|-------------------------|---------------|---------------|-------------------------|
| Model # | DH-3339-22 | DH-3438-24 | DH-3043-22 | DH-3005-43 |
| Capacity | 2,000lbs | 2,000lbs | 3,000 lbs | 4,000 lbs |
| Table Top W x L | 30" x 30" | 30" x 48" | 30" x 48" | 30" x 60" |
| Raised Height | 48" | 48" | 52" | 55" |
| Lowered Height | 30" | 30" | 30" | 32" |
| Minimum Clearance under Bar to Table Top | 19.885" | 19.885" | 20.5" | 20.5" |
| Caster Size/ Type | 5" / 2 swivel / 2 rigid | 5" / 4 swivel | 6" / 4 swivel | 8" / 2 swivel / 2 rigid |
| Max. Die Size | 30" x 24" | 42" x 30" | 42" x 30" | 54" x 30" |
| Weight | 388 lbs | 590 lbs | 747 lbs | 1,069 lbs |



LT-330SL

Folding Handle Scissors Lift Table

- Folding handle lays flat on table top.
- Chrome plated handle and foot pedal.
- Lever release handle.
- Moldon polyurethane wheels and locking swivel casters.
- Foot operated pump.

OVERALL DIMENSIONS

| | | | |
|-----------|-----|-------|-----|
| w: 17.75" | 20" | 19.5" | 20" |
| h: 37" | 39" | 39" | 39" |
| d: 36" | 37" | 42" | 37" |



LT-700SL



Fixed Handle Scissors Tables

- Fixed handle.
- Foot operated pump.
- Easy to use spring loaded release lever.
- 5" x 1.5" moldon polyurethane wheels and locking casters.

OVERALL DIMENSIONS

| | |
|----------|-------|
| w: 19.5" | 19.5" |
| h: 37" | 37" |
| d: 42" | 42" |



LT-770DSL



Double Scissors High Lift Tables

- Fixed handle.
- Chrome plated handle and foot pedal.
- Lever release handle.
- 5" x 1.5" moldon polyurethane wheels and locking swivel casters.
- Foot operated pump.

OVERALL DIMENSIONS

| | |
|----------|-----|
| w: 19.5" | 24" |
| h: 37" | 37" |
| d: 45.5" | 58" |



LT-2200SL



LT-1650SL

Heavy Duty Scissors Lift Tables

- Fixed handle.
- Chrome plated handle and foot pedal.
- 5" x 2" moldon polyurethane wheels and locking swivel casters.
- Foot operated pump.

OVERALL DIMENSIONS

| | |
|----------|-------|
| w: 20" | 20" |
| h: 39.5" | 39.5" |
| d: 49" | 50" |

| Part # | 260201 | 260207 | 272974 | 260208 | 260199 | 260200 | 260204 | 272862 | 272970 | 272973 |
|---------------------|----------------|------------|-------------|-------------|-------------|-------------|---------------|------------|-----------|-----------|
| Model # | LT-330SL | SLT-660-11 | LT-660FHSL | SLT-1100-11 | LT-700SL | LT-1000SL | LT-770DSL | LT-1540DSL | LT-1650SL | LT-2200SL |
| Capacity | 330 lbs | 660 lbs | 660 lbs | 1,100 lbs | 700 lbs | 1,000 lbs | 770 lbs | 1,540 lbs | 1,650 lbs | 2,200 lbs |
| Table Size | 17.75" x 27.5" | 20" x 32" | 19.5" x 32" | 20" x 32" | 19.5" x 32" | 19.5" x 32" | 19.5" x 35.5" | 24" x 48" | 20" x 39" | 20" x 40" |
| Raised Height | 28.5" | 35" | 35" | 35" | 35" | 35" | 51" | 59" | 35.5" | 39" |
| Lowered Height | 8.5" | 11" | 14" | 11" | 14" | 14" | 14" | 17.75" | 16.5" | 15" |
| Caster Size | 4" x 1" | 5" x 1.5" | 5" x 1.5" | 5" x 1.5" | 5" x 1.5" | 5" x 1.5" | 5" x 1.5" | 5" x 1.5" | 5" x 2" | 5" x 2" |
| Locking Caster (LC) | LC | LC | LC | LC | LC | LC | LC | LC | LC | LC |
| Weight | 98 lbs | 165 lbs | 170 lbs | 187 lbs | 170 lbs | 185 lbs | 227 lbs | 430 lbs | 276 lbs | 269 lbs |

TABLE TOP SIZES

32" WIDE X 63" LONG
30" WIDE X 80" LONG



273261



Manually operated safety bars lock table in raised position.

Long Deck Scissors Table

- Oversized **63" long** x 32" wide and **80" long** x 30" wide table tops accommodate large cargo.
- Two wheels and two locking swivel casters.
- Handle height - 38" (32" x 63" table) 39" (30" x 80" table).
- Hydraulic foot pump.
- Safety bars.
- Table top thickness: .125" (3mm).

OVERALL DIMENSIONS

| | |
|-----------|---------|
| w: 32" | 34.5" |
| h: 38" | 53.5" |
| d: 74.25" | 80.125" |



273269



Scissors Table with Roller Top

- Roller top permits easy movement of cargo for loading and unloading.
- Two locking swivel casters - 5" x 1 1/2" moldon polyurethane.
- Two 5" x 1 1/2" moldon polyurethane casters.
- Handle height - 38 3/4".
- Two dual-position end stops help keep cargo in place.
- Eight 2" diameter rollers 18 1/2" long.
- Hydraulic foot pump.
- Variable lowering speed valve.

OVERALL DIMENSIONS

| |
|-----------|
| w: 20.25" |
| h: 38.25" |
| d: 43" |



273265

Hydraulic Die Lift Table

- Table top size - 24" x 36".
- Handle height - 36.75".
- Two swivel locking casters - 5" x 1 1/2" moldon polyurethane.
- Hydraulic foot pump.
- Removable handle - may also be reversed for use in confined areas.
- Variable lowering speed.

OVERALL DIMENSIONS

| |
|-----------|
| w: 24" |
| h: 36.75" |
| d: 49.5" |

| Part # | 273261 | 273230 | 273269 | 273265 |
|------------------|-------------------------------|--------------------------------------|---------------|-----------|
| Model # | LDT-3263 | LDT-3080 | DRT-2033 | DT-2436 |
| Capacity | 1,100 lbs | 2,200 lbs | 660 lbs | 2,000 lbs |
| Table Size | 32" x 63" | 30" x 80" | 19.5" x 32.5" | 24" x 36" |
| Raised Height | 36" | 53.5" | 38.25" | 36" |
| Lowered Height | 11.25" | 14.2" | 12.5" | 24.25" |
| Caster Size/Type | 5" x 1.5" Moldon Polyurethane | Nylon 3" x 1.5" swivel 7" x 2" wheel | 5" x 1.5" | 5" x 1.5" |
| Weight | 340 lbs | 440 lbs | 210 lbs | 265 lbs |



273710



273713



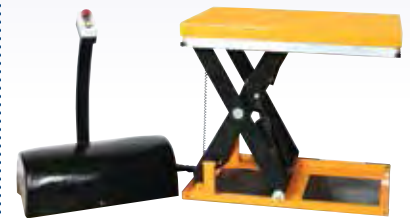
273711



273712



270662



Powered Lift Scissors Table

- 12 volt rechargeable, deep cycle batteries with onboard charger and battery gauge.
- Moldon polyurethane wheels and locking swivel casters.
- Chrome plated handle.
- Keyed on/off switch.
- Raised-height limit switch.
- Push-button pendant can be removed for hand held operation.
- Overload bypass valve.
- Emergency stop button.

OVERALL DIMENSIONS

| | | | |
|-----------|-------|--------|---------|
| w: 19.75" | 20.5" | 24.5" | 19.625" |
| h: 36" | 38" | 36.25" | 36" |
| d: 45.25" | 52" | 53.75" | 47.75" |

Mini Electric Lift Table

- Heavy duty to handle tough loads.
- Small and light enough to move.
- Full perimeter safety bar stops table from lowering if it contacts an obstruction.
- 110V 60 Hz.
- Push button station.

OVERALL DIMENSIONS

| |
|--------|
| w: 24" |
| h: 30" |
| d: 35" |

| Part # | 273710 | 273711 | 273712 | 273713 | 270662 |
|-------------------|---------------------|------------------------|---------------------|------------------------------|-----------|
| Model # | PSLT-660 | PSLT-1100 | PSLT-1650 | PSLT-770-DS | MELT |
| Capacity | 660 lbs | 1,100 lbs | 1,650 lbs | 770 lbs (Double Scissors) | 2,200 lbs |
| Table Size W x L | 19.75" x 33.5" x 2" | 20.5" x 39.75" x 2.25" | 20" x 39.5" x 2.25" | 19.625" x 35.875" x 2.25" | 24" x 35" |
| Raised Height | 34.25" | 40.5" | 39.5" | 51.5" | 30" |
| Lowered Height | 11.25" | 17.25" | 17" | 14.5" | 7" |
| Caster Size | 5" x 1.25" | 6" x 1.5" | 6" x 2" | 5" x 1.25" | N/A |
| Qty. of batteries | 4 | 2 | 4 | 4 | N/A |
| Weight | 256 lbs | 346 lbs | 353 lbs | 300 lbs | 283 lbs |



272986



Protective Skirt - Part # 275001

- Option must be ordered as a separate item.
- Only available as factory installed.
- Fits both spring and pneumatic pallet levelers.

Pallet Leveler

- The pallet leveler progressively lowers as pallet is loaded and raises as pallet is unloaded.
- 3 Heavy duty calibrated springs used in combination according to desired load range.
- Bearing supported carousel for easy turning.
- Built in fork pockets for ease of transport.
- Helps reduce fatigue and injury from bending and lifting.

OVERALL DIMENSIONS

w: 36"
h: 9.25" Compressed / 29" Raised
d: 45.5"



272696

Pneumatic Pallet Leveler

- The pneumatic pallet leveler progressively lowers as pallet is loaded and raises as pallet is unloaded.
- Pneumatic bellows actuates raising and lowering of loads.
- 80 PSI of initial air pressure required.
- Air tank and controls are self-contained and do not require constant air pressure.
- Removable tank and controls for remote operation; 48" of hose included.

OVERALL DIMENSIONS

w: 36"
h: 12.55" Compressed / 28.5" Raised
d: 45.5"

| Part # | 272986 | 272696 |
|------------------------|-----------------|----------------------|
| Model # | PL | PPL |
| Capacity | 400-4,500 lbs | 4,500 lb maximum |
| Raised Height | 29" | 28.5" (without load) |
| Lowered Height | 9.25" | 12.5" |
| Carousel Diameter | 40.75" | 40.75" |
| Rotating Ring Diameter | 43.5" | 43.5" |
| Fork Pocket L x W | 39" x 5.75" | 39" x 5.75" |
| Load Size | 72" x 50" x 50" | 72" x 50" x 50" |
| Weight | 352 lbs | 322 lbs |

WESCO® RAIS-N-ROL™ MACHINERY MOVERS

A 5 Year Guarantee Against Weld Failure. A Wesco Quality Exclusive.

Features:

- Heavy duty capacities up to 5 tons - the most economical way to lift and move large bulky loads.
- Swivel casters allow movement in any direction.
- Hand operated hydraulic jack for easy lifting and controlled lowering of loads.
- All models supplied with hooks for recommended optional LB-1 or LB-2 load binders.



RNR-2



**Rais-N-Rol™
2,000 lb
Capacity
Per Pair**

- 23" wide x 12.5" deep x 48.375" high (lowered height).
- I.D. fork span range 7.25" to 17.5".

OVERALL DIMENSIONS

w: 23"
h: 48.375"
d: 15.5"



RNR-4



**Rais-N-Rol™
4,000 lb
Capacity
Per Pair**

- 23" wide x 16.5" deep x 43.625" high (lowered height).
- I.D. fork span range 5" to 19.5".

OVERALL DIMENSIONS

w: 23"
h: 43.625"
d: 19.75"



RNR-6P



**Rais-N-Rol™ 6,000 lb
Capacity Per Pair**

- 23" wide x 16.5" deep.
- RNR-6(P): 41.375" H; RNR-64(P): 43.625" H.
- I.D. fork span range 6" to 19.5".

OVERALL DIMENSIONS

w: 23"
h: 41.375"
d: 18.75"

OVERALL DIMENSIONS

w: 23"
h: 43.625"
d: 18.75"



RNR-8



**Rais-N-Rol™
8,000 lb
Capacity
Per Pair**

- 23" wide x 16.5" deep x 43.375" high (lowered height).
- I.D. fork span range 6" to 19.5".

OVERALL DIMENSIONS

w: 23"
h: 41.375"
d: 20.75"



RNR-10



**Rais-N-Rol™
10,000 lb
Capacity
Per Pair**

- 23" wide x 16.5" deep x 47.625" high (lowered height).
- I.D. fork span range 6" to 19.5".

OVERALL DIMENSIONS

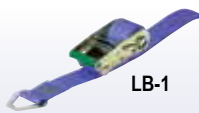
w: 24"
h: 47.625"
d: 21.75"

| Part # | 260086 | 260091 | 260087 | 260092 | 260088 | 260093 | 260138 | 260139 | 260089 | 260094 | 260090 | 260095 |
|----------|---------------------|-------------------------|------------------|-------------------------|--------------------|---------------------------|--------------------|---------------------------|--------------------|---------------------------|--------------------|-------------------------|
| Model # | RNR-2 | RNR-2P | RNR-4 | RNR-4P | RNR-6 | RNR-6P | RNR-64 | RNR-64P | RNR-8 | RNR-8P | RNR-10 | RNR-10P |
| Capacity | 2,000 lbs | 2,000 lbs | 4,000 lbs | 4,000 lbs | 6,000 lbs | 6,000 lbs | 6,000 lbs | 6,000 lbs | 8,000 lbs | 8,000 lbs | 10,000 lbs | 10,000 lbs |
| Lift | 5" | 5" | 12" | 12" | 12" | 12" | 12" | 12" | 6" | 6" | 6" | 6" |
| Casters | 5" x 2" Phenolic | 5" x 2" Polyurethane | 6" x 2" Steel | 6" x 2" Polyurethane | 6" x 2.5" Steel | 6" x 2.5" Polyurethane | 6" x 2.5" Steel | 6" x 2.5" Polyurethane | 8" x 2.5" Steel | 8" x 2.5" Polyurethane | 8" x 2.5" Steel | 8" x 3" Polyurethane |
| Weight | 170 lbs/PR | 176 lbs/PR | 315 lbs/PR | 313 lbs/PR | 325 lbs/PR | 306 lbs/PR | 359 lbs/PR | 359 lbs/PR | 390 lbs/PR | 402 lbs/PR | 480 lbs/PR | 475 lbs/PR |

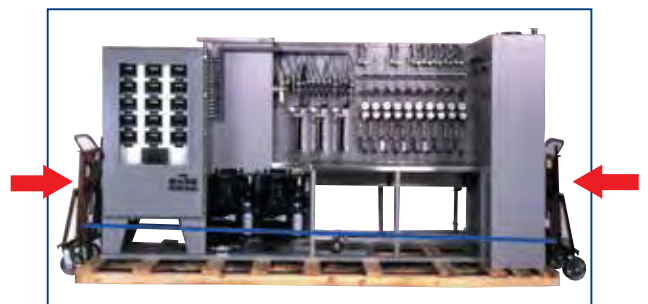
Option: Load Binder Accessory

- Two 12' long nylon belts with heavy duty ratchet tighteners.
- Highly recommended for stabilizing large loads.

| Part | Model # | Description |
|--------|---------|---|
| 260096 | LB-1 | Delta rings secure belt to Rais-N-Rol |
| 260147 | LB-2 | "E" track hooks secure belt to Rais-N-Rol |



LB-1



Panel becomes its own dolly.

LIFT EQUIPMENT

Furniture Mover

- Sold in pairs only.
- Two models: Manual Lift / Hydraulic Lift
- Economically priced.
- Great for moving furniture or odd shaped loads.
- Straps to secure load standard.
- Hydraulic unit with ratcheting strap tightener.
- 6" swivel casters.



Hydraulic
272952



Manual
272951

OVERALL DIMENSIONS

| | | |
|----|-----|-------|
| w: | 23" | 26.5" |
| h: | 32" | 42" |
| d: | 15" | 16" |

| Part # | 272951 | 272952 |
|------------------|------------------------|------------------------|
| Model # | MFM | HFM |
| Capacity | 1,320 lbs per pair | 3,950 lbs per pair |
| Lift Plate L x D | 8.5" x 4.5" | 23" X 2.25" |
| Lift Height | 12" | 10" |
| Casters | 6" Moldon Polyurethane | 6" Moldon Polyurethane |
| Weight | 72 lbs | 195 lbs |



480020

Steel Deck Machine Dolly

- .25" thick steel plate.
- 2" x .5" aircraft quality, heat treated steel wheels.

OVERALL DIMENSIONS

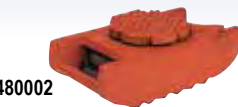
| | |
|----|--------|
| w: | 8.5" |
| h: | 2.5" |
| d: | 11.75" |

| Part # | 480020 | 480001 | 480002 | 480003 | 480004 | 480019 |
|-----------------|------------|-----------|-----------|------------|------------|-----------------------------|
| Model # | HMS-2 | HMS-8 | HMS-15 | HMS-30 | | HMS-2K |
| Capacity | 10,000 lbs | 2,000 lbs | 8,000 lbs | 15,000 lbs | 30,000 lbs | 4 HMS - 2's @ 2,000 lbs ea. |
| Wheel Size | 2" x .5" | N/A | N/A | N/A | N/A | N/A |
| Roller Width | NA | 1.875" | 3.25" | 3.25" | 4" | 1.875" |
| Roller Diameter | NA | .6875" | .9375" | 1.1875" | 1.1875" | .6875" |
| Weight | 11.5 lbs | 10 lbs | 31 lbs | 39 lbs | 52 lbs | 55 lbs |

HeviMovers™ are made with precision ground and hardened steel rollers that form an endless chain which revolves around a central load-bearing plate in the frame. Weight of the load is transferred directly from load-bearing plate to rollers. This eliminates axle friction and requires less power to start and move the load. HeviMovers™ roll easily over cracks and pitted floor areas to reduce possible damage to goods.

HeviMover™ Machine Rollers

- Swivel-top for maximum maneuverability, full 360° rotation.
- Spring-loaded locking mechanism at 45° intervals.
- Only periodic cleaning and light re-oiling of roller chain needed.



480002



HeviMover™ Kit #480019

- Includes 4 HMS-2 HeviMovers and 2 29" knocked down steering handles in a rugged steel tool box.

OVERALL DIMENSIONS

| | |
|----|-----|
| w: | 16" |
| h: | 7" |
| d: | 7" |

HeviMover™ Options

- Steering handles.
- Turning bar.

| Part # | 480005 | 480006 |
|-------------|-------------------------------|-------------------------------|
| Model # | HMH-36-1 | HMH-48-1 |
| Description | 36" steering handle for HMS-2 | 48" steering handle for HMS-2 |
| Weight | 6 lbs | 7 lbs |

| Part # | 480007 | 480008 |
|-------------|---------------------------------------|---------------------------------------|
| Model # | HMH-36-2 | HMH-48-2 |
| Description | 36" steering handle for HMS-8, 15, 30 | 48" steering handle for HMS-8, 15, 30 |
| Weight | 6 lbs | 7 lbs |

| Part # | 480009 |
|-------------|-----------------------------------|
| Model # | HMH-TB-2 |
| Description | 36" turning bar for HMS-8, 15, 30 |
| Weight | 14.5 lbs |

Aluminum Platform Truck Features:

- Aluminum is corrosion resistant and maintains clean appearance.
- Strong enough to handle up to 3,000 lbs (depending upon caster selection).
- Lightweight aluminum allows for easy maneuverability.
- Handle included.
- Corner sockets at both ends allow handles to be used on either or both ends of truck.
- For truck platform height, add 2.5" to caster height (see caster option chart).
- Bolt on casters. (Casters Sold Separately)—choose from caster option chart.



DO NOT EXCEED
3,000 LB
STRUCTURAL
CAPACITY



ATP-3048-MR6



DO NOT EXCEED
3,000 LB
STRUCTURAL
CAPACITY



ASD-3048-PN8

ATP Series - Aluminum Treadplate Mode

- Structural capacity of any size platform **NOT** to exceed 3,000 lbs.
- Slip-resistant diamond pattern surface.
- Solid one piece platform surface construction.

OVERALL DIMENSIONS

| | | | | | | |
|----|------|------|------|------|------|------|
| w: | 24" | 24" | 30" | 30" | 36" | 36" |
| h: | 2.5" | 2.5" | 2.5" | 2.5" | 2.5" | 2.5" |
| d: | 36" | 48" | 48" | 60" | 60" | 72" |

ASD Series - Aluminum Smooth Deck

- Structural capacity of any size platform **NOT** to exceed 3,000 lbs.
- Smooth surface that is easy to keep clean.
- Solid one piece platform surface construction.

OVERALL DIMENSIONS

| | | | | | | |
|----|------|------|------|------|------|------|
| w: | 24" | 24" | 30" | 30" | 36" | 36" |
| h: | 2.5" | 2.5" | 2.5" | 2.5" | 2.5" | 2.5" |
| d: | 36" | 48" | 48" | 60" | 60" | 72" |

| Part # | 350036 | 350037 | 350039 | 350040 | 350042 | 350043 | 350027 | 350028 | 350030 | 350031 | 350033 | 350034 |
|---------------------|-------------------------|-----------|-----------|-----------|-----------|-----------|-------------------------|-----------|-----------|-----------|-----------|-----------|
| Model # | ATP-2436 | ATP-2448 | ATP-3048 | ATP-3060 | ATP-3660 | ATP-3672 | ASD-2436 | ASD-2448 | ASD-3048 | ASD-3060 | ASD-3660 | ASD-3672 |
| Structural Capacity | NOT TO EXCEED 3,000 LBS | | | | | | NOT TO EXCEED 3,000 LBS | | | | | |
| Platform | 24" x 36" | 24" x 48" | 30" x 48" | 30" x 60" | 36" x 60" | 36" x 72" | 24" x 36" | 24" x 48" | 30" x 48" | 30" x 60" | 36" x 60" | 36" x 72" |
| Weight | 32 lbs | 40 lbs | 45 lbs | 54 lbs | 61 lbs | 71 lbs | 27 lbs | 33 lbs | 37 lbs | 44 lbs | 49 lbs | 59 lbs |

Actual capacity of assembled platform is dependent upon caster capacity but should never exceed the platform's structural capacity, regardless of caster type.

Caster Options for ATP and ASD Series Platform Trucks

(Two rigid, two swivel per set)

| Part # | 250046 | 250047 | 250049 | 250050 | 250051 | 250052 | 250053 | 250055 | 250056 | 250250 |
|-------------------------------------|----------------|----------------|----------------|----------------|---------------------|----------------|----------------|---------------------|----------------|----------------|
| Model # | SR-5A | SR-5 | SR-6 | MR-6 | MP-6 | PR-6 | MR-8 | MP-8 | PR-8 | PN-8 |
| Capacity | 750 lbs | 2,000 lbs | 2,000 lbs | 2,000 lbs | 3,000 lbs | 3,000 lbs | 2,400 lbs | 3,000 lbs | 3,000 lbs | 1,200 lbs |
| Wheel Size | 5" x 1.5" | 5" x 2" | 6" x 2" | 6" x 2" | 6" x 2" | 6" x 2" | 8" x 2" | 8" x 2" | 8" x 2" | 8" x 2.5" |
| Wheel Type | Polyolefin | Polyolefin | Polyolefin | Moldon Rubber | Moldon Polyurethane | Phenolic | Moldon Rubber | Moldon Polyurethane | Phenolic | Pneumatic |
| "H" Dimension Floor to Platform Top | 9" | 9.25" | 10" | 10" | 10" | 10" | 12" | 12" | 12" | 12.5" |
| Caster Height | 6.50" | 6.75" | 7.5" | 7.5" | 7.5" | 7.5" | 9.5" | 9.5" | 9.5" | 10" |
| Weight | 14 lbs per set | 20 lbs per set | 26 lbs per set | 26 lbs per set | 24 lbs per set | 26 lbs per set | 28 lbs per set | 27 lbs per set | 30 lbs per set | 29 lbs per set |

Actual capacity of assembled platform is dependent upon caster capacity but should never exceed the platform's structural capacity, regardless of caster type.

Corner Bumper Option

- Part #250022 Model #CB
- Includes 4 bumpers.
- To order, add -CB to the end of Truck Model #.

Example: ASD-2436-CB

Perimeter Bumper Option

- Part #250023 Model #PB
- To order, add -PB to the end of Truck Model #.

Example: ASD-2436-PB

Extra Push Handle Option

- Truck Width - 24" Part #052574
- 30" #052575
- 36" #052576
- To order, add -PH2 to the end of Truck Model #.

Example: ASD-2436-PH2



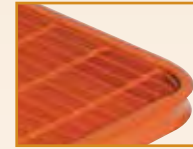
**DO NOT EXCEED
2,400 LB
STRUCTURAL
CAPACITY**

273601



**DO NOT EXCEED
1,200 LB
STRUCTURAL
CAPACITY**

273607



Close-up of grid deck



273297

Steel Grid Deck Platform Truck

Thrifty Plate Aluminum Tread Platform Trucks - Commercial Quality (Import)

- Structural capacity of any size platform **not** to exceed 2,400 lbs.
- Platforms and casters sold separately.
- Casters determine capacity - 2,400 lbs or less.
- Non-marking gray corner bumpers.
- Platform top to top of handle - 32".
- **Replacement Corner Bumper Option - Part # 273611 (includes 4 bumpers + hardware).**
- **24" Extra Push Handle - Part # 273609.**
- **30" Extra Push Handle - Part # 273610.**

Thrifty Plate Aluminum Tread Platform Trucks - Light Duty (Import)

- Structural capacity of any size platform **not** to exceed 1,200 lbs.
- Platforms and casters sold separately.
- Casters determine capacity - 1,200 lbs or less.
- Non-marking gray corner bumpers.
- Platform top to top of handle - 27.625".
- **Replacement Corner Bumper Option - Part # 273616 (includes 4 bumpers + hardware).**
- **24" Extra Push Handle - Part # 273614.**
- **30" Extra Push Handle - Part # 273615.**

- Sturdy open grate design provides high strength and prevents accumulation of water and small debris.
- Durable powder coat paint finish.
- (2) 8" x 2" rigid casters and (4) 6" x 1.5" swivel end casters.
- Tilt design allows truck to pivot on its own radius.
- Platform height 10.75", height to top of handle 35.5".

| OVERALL DIMENSIONS | | | |
|--------------------|--------|--------|--------|
| w: 25" | 25" | 31" | 31" |
| h: 2.625" | 2.625" | 2.625" | 2.625" |
| d: 37" | 49" | 49" | 61" |

| OVERALL DIMENSIONS | | | |
|--------------------|--------|--------|--------|
| w: 25" | 25" | 31" | 31" |
| h: 1.625" | 1.625" | 1.625" | 1.625" |
| d: 37" | 49" | 49" | 61" |

| OVERALL DIMENSIONS | |
|--------------------|-------|
| w: 30" | 30" |
| h: 35.5" | 35.5" |
| d: 63" | 63" |

| Part # | 273601 | 273602 | 273603 | 273604 | 273605 | 273606 | 273607 | 273608 | 273297 |
|---------------------|-------------------------|-----------|-----------|-----------|------------------------|-----------|-----------|-----------|-----------|
| Model # | CQ2436 | CQ2448 | CQ3048 | CQ3060 | LD2436 | LD2448 | LD3048 | LD3060 | |
| Structural Capacity | NOT TO EXCEED 2,400 LBS | | | | NOT TO EXCEED 1200 LBS | | | | 1,750 lbs |
| Platform | 24" x 36" | 24" x 48" | 30" x 48" | 30" x 60" | 24" x 36" | 24" x 48" | 30" x 48" | 30" x 60" | 30" x 50" |
| Weight | 28 lbs | 36 lbs | 43 lbs | 53 lbs | 19 lbs | 23 lbs | 28 lbs | 34 lbs | 170 lbs |

Actual capacity of assembled platform is dependent upon caster capacity but should never exceed the platform's structural capacity, regardless of caster type.

Caster Options for Thrifty Plate Platform Trucks

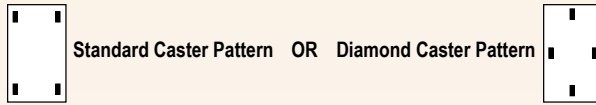
- Each Caster Set includes 2 rigid, 2 swivel casters.

| Part # | 273612 | 273613 | 172244 | 172245 |
|--|----------------------------|----------------------------|-------------------------------|-------------------------------|
| Capacity | 2,000 lbs | 2,400 lbs | 1,200 lbs | 1,500 lbs |
| Wheel Size | 6" x 2" | 8" x 2" | 8" x 2.5" | 10" x 3.5" |
| Wheel Type | Moldon Rubber Aluminum Hub | Moldon Rubber Aluminum Hub | Full Pneumatic Zinc Steel Hub | Full Pneumatic Zinc Steel Hub |
| H-CQ Dimension - Floor to Platform Top | 10.375" | 12.125" | 12.625" | 14.625" |
| H-LD Dimension - Floor to Platform Top | 9.375" | 11.125" | 11.625" | 13.625" |
| Caster Height | 7.75" | 9.5" | 10" | 12" |
| Weight | 26 lbs per set | 28 lbs per set | 26 lbs per set | 34 lbs per set |

Actual capacity of assembled platform is dependent upon caster capacity but should never exceed the platform's structural capacity, regardless of caster type.

Steel Platform Truck Features:

- Heavy duty 12 gauge steel reinforced welded construction.
- Constructed for both standard corner or diamond caster mounting pattern.
- Removable two cross-brace handle can be inserted in either end.
- Choose your caster. Platforms and casters sold separately, except #272265.
- All platforms include one handle. Additional handles available as an option. (except #272265)
- All listed capacities are based on evenly distributed loads.



Steel Platform Trucks (Casters sold separately)

- 32" high handles from platform top.

| | OVERALL DIMENSIONS | | | | | | |
|----|--------------------|-----|-------|-------|-------|-------|-------|
| w: | 24" | 24" | 27" | 30" | 30" | 36" | 36" |
| h: | 2" | 2" | 2" | 2" | 2" | 2" | 2" |
| d: | 39.5" | 48" | 57.5" | 51.5" | 63.5" | 63.5" | 75.5" |

Economy Steel Platform Truck

- Ships complete. Platform, one handle, four 5" x 1.25" casters.
- Deck height - 5.75", handle height - 41".
- Maximum capacity 750 lbs.

OVERALL DIMENSIONS

| | |
|----|-----|
| w: | 24" |
| h: | 41" |
| d: | 42" |

| Part # | 272266 | 272267 | 272268 | 272269 | 272270 | 272271 | 272272 | 272265 |
|---------------------|-------------------------|-----------------|-----------------|-----------------|-----------------|-----------------|-----------------|-------------------|
| Structural Capacity | NOT TO EXCEED 4,000 LBS | | | | | | | 750 lbs |
| Platform W x L | 24" x 36" | 24" x 48" | 27" x 54" | 30" x 48" | 30" x 60" | 36" x 60" | 36" x 72" | 24" x 42" |
| Caster | chart selection | chart selection | chart selection | chart selection | chart selection | chart selection | chart selection | 5" x 1.25" rubber |
| Weight | 86 lbs | 65 lbs | 82 lbs | 115 lbs | 135 lbs | 126 lbs | 172 lbs | 62 lbs |

Actual capacity of assembled platform is dependent upon caster capacity but should never exceed the platform's structural capacity, regardless of caster type.

Caster Sets

- Each caster set contains 2 swivel and 2 rigid casters.

Extra Handles for Trucks with

24" Wide Platform 27" Wide Platform 30" Wide Platform 36" Wide Platform

| Part # | 272191 | 272192 | 272193 | 272194 | 272195 | 272201 | 272202 | 272203 | 272197 | 272198 | 272199 | 272200 |
|-------------------------------------|------------------------|--------------------|--|--------------------------|---------------------------|--|--|--|--------|--------|--------|--------|
| Set Capacity | 1,600 lbs | 2,500 lbs | 4,000 lbs | 1,600 lbs | 1,600 lbs | 1,600 lbs | 1,800 lbs | 2,200 lbs | N/A | N/A | N/A | N/A |
| Description | 6" x 1.375" Polyolefin | 8" x 2" Polyolefin | 8" x 2" Moldon Polyurethane on cast iron hub | 8" x 2.5" Full Pneumatic | 10" x 3.5" Full Pneumatic | 5" x 2" Moldon Rubber on cast iron hub | 6" x 2" Moldon Rubber on cast iron hub | 8" x 2" Moldon Rubber on cast iron hub | N/A | N/A | N/A | N/A |
| "H" Dimension Floor to Platform Top | 9" | 11.5" | 11.5" | 12.25" | 14.00" | 8.5" | 9.5" | 12.5" | N/A | N/A | N/A | N/A |
| Caster Height | 7" | 9.5" | 9.5" | 10.25" | 12" | 6.5" | 7.5" | 10.25" | N/A | N/A | N/A | N/A |
| Weight | 9 lbs | 31 lbs | 42 lbs | 31 lbs | 40 lbs | 32 lbs | 29 lbs | 39 lbs | 15 lbs | 16 lbs | 17 lbs | 19 lbs |

Actual capacity of assembled platform is dependent upon caster capacity but should never exceed the platform's structural capacity, regardless of caster type.

Power Drive Platform Truck

- 47¼" turning radius.
- Deck height from floor: 12.375".
- Finger tip variable speed controller with forward and reverse modes. Illuminated battery status indicator.
- Key lock and emergency stop.
- Motor: 370 watts.
- Maximum climbing incline: 8° .
- (2) 12v 40 A.H. batteries and charger included.
- Charge time: 7-8hr. / Continuous run time: 6 hr.
- Motor controller: Curtis 110 amp.
- Front wheels: 10" pneumatic.
- Rear swivel polyurethane casters: 5" x 2".
- Reverse direction safety beeper and reduced speed in reverse for added safety.
- Full perimeter bumper helps prevent wall damage.
- Rear panel grid helps keep cargo in place.
- Durable white powder coat finish with black rubber deck mat.
- 43" handle height.
- Steel thickness 2.5 mm.



272416



272413

OVERALL DIMENSIONS

| | | | |
|----------|-------|-------|-------|
| w: 24" | 24" | 30" | 30" |
| h: 43" | 43" | 43" | 43" |
| d: 38.5" | 50.5" | 50.5" | 62.5" |

| Part # | 272413 | 272414 | 272415 | 272416 |
|------------|------------------|------------------|------------------|------------------|
| Capacity | 1,100 lbs | 1,100 lbs | 1,100 lbs | 1,100 lbs |
| Shelf Size | 24" x 36" | 24" x 48" | 30" x 48" | 30" x 60" |
| Wheel Type | 10" Pneumatic | 10" Pneumatic | 10" Pneumatic | 10" Pneumatic |
| Casters | 5" x 2" | 5" x 2" | 5" x 2" | 5" x 2" |
| Weight | 243 lbs | 254 lbs | 276 lbs | 300 lbs |



Optional Tow Handle and Eye Hook
Part #272073



Solid Platform
272055



Flush Open Deck
272058



Open Deck
Carpet Ends
272060



Open Deck
Rubber Ends
272062

Wood Dollies

- 4 swivel casters/3" hard rubber or 4" hard plastic.
- Seasoned hardwood with flush top bolted construction.
- Optional tow handle and eye hook.
- Ships KD and boxed via ground service.

| Description | Size | Part # 3" Casters | Part # 4" Casters |
|-----------------------|-----------------------|-----------------------------|-------------------------------|
| | | (Weight / Capacity) | (Weight / Capacity) |
| Solid Platform | 24" x 16" | 272053 (18 lbs / 900 lbs) | 272063 (20.5 lbs / 1,200 lbs) |
| | 27" x 18" | 272054 (20.5 lbs / 900 lbs) | 272064 (23 lbs / 1,200 lbs) |
| | 30" x 18" | 272055 (23.5 lbs / 900 lbs) | 272065 (26 lbs / 1,200 lbs) |
| | 36" x 24" | 272056 (32 lbs / 900 lbs) | 272066 (34.5 lbs / 1,200 lbs) |
| | Flush Open Deck | 24" x 16" | 272057 (14.5 lbs / 900 lbs) |
| Flush Open Deck | 30" x 18" | 272058 (16.5 lbs / 900 lbs) | 272068 (19 lbs / 1,200 lbs) |
| | 36" x 24" | 272059 (21.5 lbs / 900 lbs) | 272069 (24 lbs / 1,200 lbs) |
| | Open Deck Carpet Ends | 30" x 18" | 272060 (16.5 lbs / 900 lbs) |
| Open Deck Carpet Ends | 36" x 24" | 272061 (18.5 lbs / 900 lbs) | 272071 (21 lbs / 1,200 lbs) |
| | Open Deck Rubber Ends | 30" x 18" | 272062 (18 lbs / 900 lbs) |



270456



270461

Wire Caged Steel Platform Trucks

- Great for moving loose materials or small boxes.
- Two models, regular or heavy duty.
- Moldon non-marking TPR rubber wheels.
- Removable cages.
- Ships KD and boxed.
- Casters: two swivel, two rigid.

OVERALL DIMENSIONS

| | | |
|----|-----|-----|
| w: | 23" | 30" |
| h: | 36" | 40" |
| d: | 35" | 48" |



270388

Commercial Quality Steel Panel Cart

- 8" Moldon non-marking TPR rubber wheels.
- Wraparound corner bumpers.
- Great for commercial applications.
- Casters: two swivel, two rigid.
- Removable side rails.

OVERALL DIMENSIONS

| | |
|----|-----|
| w: | 30" |
| h: | 37" |
| d: | 48" |



272226

Standard Greenline Steel Panel Carts

- Removable plastic basket for carrying tools.
- Detachable center bar for moving bulky items like tables and partitions.
- Great for sheet products like dry wall and plywood.
- 4" x 2" Phenolic casters 2 swivel/2 rigid withbrakes.
- Ships KD.

OVERALL DIMENSIONS

| | |
|----|-----|
| w: | 27" |
| h: | 43" |
| d: | 32" |



272227

Heavy Duty Greenline Steel Panel Carts

- Heavy duty steel platform and supports.
- 5" x 2" Moldon polyurethane casters, 2 swivel/2 rigid with brakes.
- 12 1/8" spacing between removable vertical supports.
- Ships KD.

OVERALL DIMENSIONS

| | |
|----|-----|
| w: | 29" |
| h: | 34" |
| d: | 36" |



273298

Steel Panel Cart

- Steel, powder coat paint finish.
- Deck dimensions: 48" x 30.25".
- 2 rigid, 2 swivel rubber casters - 4" x 2".

OVERALL DIMENSIONS

| | |
|----|--------|
| w: | 30.25" |
| h: | 45.5" |
| d: | 51.5" |

| Part # | 270456 | 270461 | 270388 | 272226 | 272227 | 273298 |
|--------------------|-----------|-----------|-----------|-----------|-----------|--------------|
| Capacity | 660 lbs | 1,100 lbs | 1,100 lbs | 1,540 lbs | 4,400 lbs | 1,750 lbs |
| Platform/Deck Size | 23" x 35" | 30" x 48" | 30" x 48" | 27" x 32" | 29" x 36" | 30.25" x 48" |
| Handle Height | 36" | 40" | 37" | 43" | 34" | 45.5" |
| Deck Height | 8.5" | 11.5" | 11.5" | 10.5" | 10.5" | 10" |
| Caster Size | 5" x 2" | 5" x 2" | 8" x 2" | 4" x 2" | 5" x 2" | 4" x 2" |
| Weight | 66 lbs | 124 lbs | 118 lbs | 138 lbs | 199 lbs | 150 lbs |



270339



273565

*Steel Shelf Option for 273291



273292



273293



273296

Folding Handles



273291



273295



273294

U-boats

- 8 models and a variety of sizes to suit your application.
- Painted steel, galvanized steel, aluminum, wood deck models available.
- Tilting and non-tilting models.
- Removable handles, except on folding handle model.
- 2 rigid center casters and 4 swivel end casters allow trucks to turn on their own radius. Provides easy maneuverability in narrow aisles and confined areas.
- **#273565 galvanized steel shelf option for #273291 U-boat only (16"W x 60"L). 350 lb. maximum capacity with evenly distributed load.**

* #273291 U-boat can handle two shelves.

OVERALL DIMENSIONS

| | | | | | | | |
|----|-----|-----|-----|-----|-----|--------|--------|
| w: | 16" | 16" | 16" | 18" | 24" | 17.5" | 16.25" |
| h: | 61" | 61" | 60" | 60" | 60" | 61.25" | 60" |
| d: | 64" | 63" | 63" | 63" | 63" | 53" | 63" |

| Part Number | 273296 | 270339 | 273291 | 273292 | 273295 | 273293 | 273294 |
|-------------------------|----------------------------|----------------------------|----------------------------|----------------------------|----------------------------|-----------------------------|-----------------------------|
| Capacity | 1,750 lbs | 1,322 lbs | 1,750 lbs | 1,750 lbs | 1,750 lbs | 1,750 lbs | 1,750 lbs |
| Platform (W x L) | 16" x 59.5" | 16" x 63" | 16" x 60" | 18" x 60" | 24" x 60" | 16" x 48" | 16" x 60" |
| Material | Aluminum | Aluminum | Galvanized steel | Galvanized steel | Galvanized Steel | Painted Steel | Painted Steel |
| Deck Type | Open | Open | Tread plate | Tread plate | Tread plate | Smooth | Wood |
| Tilting | Yes | Yes | No | No | Yes | Yes | Yes |
| 2 Rigid Wheels (center) | 6" x 2" Polyurethane | 6" x 2" Polyurethane | 8" x 2" Polyurethane | 8" x 2" Polyurethane | 8" x 2" Polyurethane | 6" x 2" Moldon Rubber | 8" x 2" Moldon Rubber |
| 4 Swivel Casters (ends) | 5" x 1.25" Polyurethane | 5" x 1.25" Polyurethane | 4" x 1.25" Polyurethane | 4" x 1.25" Polyurethane | 4" x 1.25" Polyurethane | 4" x 1.25" Moldon Rubber | 4" x 1.25" Moldon Rubber |
| Deck (h) (at center) | 9.5" | 9.5" | 10.75" | 10.75" | 10.75" | 7.5" | 11.5" |
| Height - Handle top | 62" | 61" | 60" | 60" | 53.25" | 61.25" | 60" |
| Weight (lbs.) | 63.5 lbs | 91 lbs | 97 lbs | 109 lbs | 116.5 lbs | 82 lbs | 115.5 lbs |

TWO MODELS:
Deluxe - Best quality truck on the market.
Economy - For the price-conscious buyer



272019



272235



Look
Pneumatic tires

ALL
STAINLESS
STEEL:
Handle, Platform
and Caster Rigs



270458



Stainless
Steel Folding
Handle Truck

- Fold down handle for easy storage.
- Caster: sealed bearing with stainless rig.
- TPR rubber non-marking caster wheels.
- Vinyl perimeter bumper.
- Boxed and UPS shippable.

Steel Folding Handle Trucks

- Fold down handle for easy storage.
- Enameled finish with non-skid heavy vinyl deck surface.
- Protective vinyl perimeter bumpers.
- 4" & 5" caster wheels TPR non-marking rubber.
- Boxed and UPS shippable.

OVERALL DIMENSIONS - DELUXE SERIES

| | | |
|----------|-------|-------|
| w: 19" | 23" | 23" |
| h: 32.5" | 37.5" | 43.5" |
| d: 29" | 35" | 35" |

OVERALL DIMENSIONS - ECONOMY SERIES

| | | |
|----------|-------|-------|
| w: 19" | 23" | 23" |
| h: 32.5" | 32.5" | 38.5" |
| d: 29" | 35" | 35" |

OVERALL DIMENSIONS

| | |
|----------|-------|
| w: 19" | 22.5" |
| h: 34.5" | 34" |
| d: 29" | 34" |

| Part # | 272019 | 272035 | 272235 | 272238 | 272239 | 278762 | 270457 | 270458 |
|---------------|------------------|------------------|------------------|------------------|------------------|------------------|-------------------|-------------------|
| Model # | Deluxe | Deluxe | Deluxe | Economy | Economy | Economy | Deluxe | Deluxe |
| Capacity | 440 lbs | 660 lbs | 660 lbs | 275 lbs | 400 lbs | 400 lbs | 440 lbs | 770 lbs |
| Platform Size | 19" x 29" | 23" x 35" | 23" x 35" | 19" x 29" | 23" x 35" | 23" x 35" | 19" x 29" | 22.5" x 34" |
| Caster Size | 4" | 5" | 8" Pneumatic | 4" | 5" | 8" Pneumatic | 2 swivel/2 rigid | 2 swivel/2 rigid |
| | 2 swivel/2 rigid | 2 swivel/2 rigid | 2 swivel/2 rigid | 2 swivel/2 rigid | 2 swivel/2 rigid | 2 swivel/2 rigid | 4" Stainless Rigs | 4" Stainless Rigs |
| Handle Height | 32.5" | 37.5" | 43.5" | 32.5" | 32.5" | 38.5" | 34.5" | 34" |
| Weight | 28 lbs | 47 lbs | 69.7 lbs | 21 lbs | 41 lbs | 69 lbs | 26 lbs | 37 lb |



270382



Aluminum Folding Ergo-Handle Truck

- Ergonomic European style handle.
- Corner bumpers.
- Boxed and UPS shippable.

OVERALL DIMENSIONS

w: 24"
h: 41"
d: 35.5"



272076



Aluminum Folding Handle Truck

- TPR rubber non-marking caster wheels.
- Lightweight aluminum deck.
- Wrap around corner bumper.
- Boxed and UPS shippable.

OVERALL DIMENSIONS

w: 18.5" 24"
h: 34.5" 35.5"
d: 29" 35.5"



270389



Aluminum Folding Handle Long Deck Truck

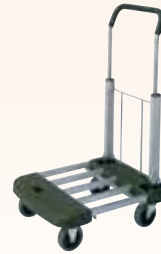
- TPR rubber non-marking caster wheels.
- Lightweight aluminum deck.
- Wrap around corner bumper.
- Six 5" casters, four swivel on ends, two rigid in center.
- Boxed and UPS shippable.

OVERALL DIMENSIONS

w: 18.5"
h: 35.5"
d: 58.5"



272048



Aluminum Professional Series Telefolding Truck

- Deck extends from 21" to 29.5".
- Push button, quick conversion.
- Anti-impact, non-skid polypropylene and aluminum deck.
- Non-marking 4" moldon rubber wheels.
- Sponge rubber coated handle.
- Boxed and UPS shippable.

OVERALL DIMENSIONS

w: 17.5"
h: 36.5"
d: 21" - 29.5"



272250



Aluminum Economy Telefolding Truck

- Deck extends from 20" to 28".
- Full size platform truck that folds to briefcase size.
- Strong, lightweight aluminum frame.
- Protective vinyl corner bumpers.
- Boxed and UPS shippable.
- Rubber wheel with plastic hub.
- Swivel casters with brake.

OVERALL DIMENSIONS

w: 16"
h: 36.5"
d: 20" - 28"

| Part # | 270382 | 272076 | 272112 | 270389 | 272048 | 272250 |
|----------------|------------------------|------------------------|------------------------|------------------------|------------------------|--------------------------------|
| Capacity | 660 lbs | 350 lbs | 550 lbs | 660 lbs | 330 lbs | 300 lbs |
| Platform W x L | 24" x 35.5" | 18.5" x 29" | 24" x 35.5" | 18.5" x 58.5" | 17.5" x 21" - 29.5" | 16" x 20" - 28" |
| Handle Height | 41" | 34.5" | 35.5" | 35.5" | 36.5" | 37.75" |
| Caster Size | 7" 2 swivel/2 rigid | 4" 2 swivel/2 rigid | 5" 2 swivel/2 rigid | 5" 4 swivel/2 rigid | 4" 2 swivel/2 rigid | 4" 2 swivel w/brake/2 rigid |
| Weight | 46 lbs | 26 lbs | 33 lbs | 44 lbs | 19 lbs | 21 lbs |



260290



260291



260292



260293



260294

Stainless Steel Carts

- 430 Stainless Steel shelf and frame construction.
- NSF Approved.
- 4 swivel, zinc plated casters with non-marking rubber tread polyurethane hub wheels.
- 3 shelves
 - .040" thick
 - top and center 1" lip, 3 sides
 - bottom flat, no lip.
- Sound deadening aluminum pad on underside of top shelf.
- Welded construction.
- Protection bumpers on legs and handle.
- Shelves have reinforced hemmed front.
- Overall capacity based upon evenly distributed loads.*

OVERALL DIMENSIONS

| | | | | | |
|----|---------|---------|---------|-----|---------|
| w: | 27.5" | 30.75" | 27.625" | 31" | 39.25" |
| h: | 32.125" | 33" | 32" | 32" | 37.25" |
| d: | 16.25" | 18.375" | 16.75" | 19" | 22.375" |

| Part # | 260290 | 260291 | 260292 | 260293 | 260294 |
|--------------------------|--------------------|--------------------|--------------------------|----------------------|--------------------------|
| Model # | SS3C11 | SS3C22 | SS4C11 | SS4C22 | SS4C44 |
| Overall Capacity | 300 lbs | 300 lbs | 500 lbs | 500 lbs | 500 lbs |
| * Capacity Per Shelf | 100 lbs | 100 lbs | 166 lbs | 166 lbs | 166 lbs |
| Shelf Size (L x W) | 24" x 15.5" | 27.125" x 17.625" | 24" x 15.75" | 27.375" x 18" | 35.125" x 21" |
| Shelf Lip Height | 1" | 1" | 1" | 1" | 1" |
| Distance Between Shelves | 12.75" | 13.25" | 12.5" top/14.625" bottom | 13" top/14.5" bottom | 14.375" top/14.5" bottom |
| Caster Wheel | 3.5" dia. x .75" w | 3.5" dia. x .75" w | 4" dia. x .75" w | 4" dia. x .75" w | 5" dia. x 1.25" w |
| Weight | 30.5 lbs | 40 lbs | 36 lbs | 42 lbs | 67 lbs |



270166



270169

Steel Service Carts

- 500 lb. capacity, evenly distributed load.
- 5" x 1.25" hard rubber casters - 2 swivel, 2 rigid.
- 20 gauge steel trays and 14 gauge corner posts.
- 3.5" tray depth.
- Baked enamel paint finish.
- 2 sizes, 16" x 30" and 24" x 36".
- Top tray can be inverted for flat work surface.
- Drawer with roller glides for easy operation.
- Shipped KD and boxed.

OVERALL DIMENSIONS

| | | | | |
|----|-----|------|-----|------|
| w: | 16" | 16" | 24" | 24" |
| h: | 32" | 3.5" | 32" | 3.5" |
| d: | 33" | 30" | 39" | 39" |



270434 cart with
270454 3rd tray



270434

Deluxe Plastic Service Cart

- 550 lb. capacity, evenly distributed load.
- Available in two sizes: 16" x 30" and 24" x 36".
- Optional 3rd shelf.
- Heavy duty construction resists chips, dents, and rust.
- Push handle has compartments to accommodate a variety of tools, labels, small parts, etc.
- Shipped KD, boxed, and includes 5" non-marking casters - 2 swivel, 2 rigid.
- Caster wheels; 5" TPR (thermoplastic rubber tread) molded onto polypropylene hub.
- Shelf depth 2.625".

OVERALL DIMENSIONS

| | | | | |
|----|-------|--------|-------|--------|
| w: | 16.5" | 16.5" | 25" | 25" |
| h: | 33.5" | 4.125" | 35.5" | 4.125" |
| d: | 37.5" | 31" | 43.5" | 37.25" |

| Part # | 270166 | 270167 | 270168 | 270169 | 270433 | 270453 | 270434 | 270454 |
|--------------|-----------|-----------|-----------|-----------|--------------|-----------|--------------|-----------|
| Model # | SC-1630 | SCT-1630 | SC-2436 | SCT2-436 | DPC-1630 | DES-1630 | DPC-2436 | DES-2436 |
| Capacity | 500 lbs | N/A | 500 lbs | N/A | 550 lbs | N/A | 550 lbs | N/A |
| No. of Trays | 2 | Optional | 2 | Optional | 2 | Optional | 2 | Optional |
| Description | Cart | 3rd tray | Cart | 3rd tray | Service cart | 3rd tray | Service cart | 3rd tray |
| Dimensions | 16" x 30" | 16" x 30" | 24" x 36" | 24" x 36" | 16" x 30" | 16" x 30" | 24" x 36" | 24" x 36" |
| Weight | 35 lbs | 11 lbs | 48 lbs | 17 lbs | 37 lbs | 9 lbs | 50 lbs | 13 lbs |



270482



270483



270493
Flat Work Surface

Standard Plastic Service Cart

- 500 lb. maximum capacity, evenly distributed load.
- Available in two sizes: 16" x 30" and 24" x 36".
- Optional 3rd shelf.
- Shipped KD, boxed, and includes 5" non-marking casters - 2 swivel, 2 rigid.
- Caster wheels; 5" TPR (thermoplastic rubber tread) molded onto polypropylene hub.
- Very economical.
- Shelf depth 2.625".

OVERALL DIMENSIONS

| | | | | | |
|----|---------|---------|--------|--------|--------|
| w: | 17.375" | 17.375" | 25.5" | 25.5" | 25.5" |
| h: | 32.5" | 4.125" | 32.5" | 4.125" | 32.5" |
| d: | 34.25" | 34.25" | 40.25" | 40.25" | 40.25" |

| Part # | 270482 | 270484 | 270483 | 270485 | 270493 |
|--------------|-----------|-----------|-----------|-----------|---------------|
| Model # | SD-1630 | SDES-1630 | SD-2436 | SDES-2436 | SDF-2436 |
| Capacity | 500 lbs | N/A | 500 lbs | N/A | 500 lbs |
| No. of trays | 2 | Optional | 2 | Optional | 2 |
| Description | Cart | 3rd tray | Cart | 3rd tray | Flat top cart |
| Dimensions | 16" x 30" | 16" x 30" | 24" x 36" | 24" x 36" | 25.5" x 34" |
| Weight | 36 lbs | 9 lbs | 49 lbs | 13 lbs | 43 lbs |

Economy Plastic Service Cart

- 330 lb. maximum capacity, evenly distributed load.
- Optional 3rd shelf.
- Shipped KD, boxed, and includes 5" non-marking casters - 2 swivel, 2 rigid.
- Value priced.
- Caster wheels; 5" TPR (thermoplastic rubber tread) molded onto polypropylene hub.
- Shelf depth 2".



270494

OVERALL DIMENSIONS

| | | |
|----|---------|--------|
| w: | 17.25" | 17.25" |
| h: | 30.635" | 3.125" |
| d: | 34" | 34" |

| Part # | 270494 | 270496 |
|--------------|-----------|-----------|
| Model # | EPC-1630 | EES-1630 |
| Capacity | 330 lbs | N/A |
| No. of Trays | 2 | Optional |
| Description | Cart | 3rd tray |
| Dimensions | 16" x 30" | 16" x 30" |
| Weight | 36 lbs | 9 lbs |

Value Plastic Platform Trucks

- Economically priced.
- Fixed and folding handle designs.
- Plastic platform with steel handle.
- Steel reinforced platform.
- Platform height - 8".



272281



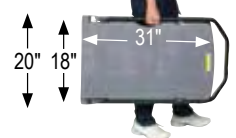
OVERALL DIMENSIONS

| | | |
|----|--------|-------|
| w: | 19.25" | 22" |
| h: | 34.5" | 34.5" |
| d: | 27.5" | 33.5" |

| Part # | 272281 | 272282 | 272946 |
|--------------------|-----------------------|-----------------------|------------------|
| Capacity | 265 lbs | 265 lbs | 400 lbs |
| Folded (H x W x D) | N/A | N/A | 2.5" x 20" x 34" |
| Wheel Size | 5" x 1" rubber caster | 5" x 1" rubber caster | 5" swivel caster |
| Platform W x D | 119.25" x 22.25" | 22" x 30.5" | 20" x 31" |
| Handle Type | 34.5" fixed | 34.5" fixed | 37.5" folding |
| Construction | Plastic | Plastic | Polyurethane |
| Weight | 20 lbs | 26.5 lbs | 24 lbs |

Bi-Mode Poly Folding Handle Truck

- Push/Pull mode - handle is tilted allowing truck to be pulled or pushed.
- Dolly mode - handle folds flush with surface of deck allowing truck to be used as a dolly without cargo coming in contact with handle. Cargo stays flat and secure on deck.
- Casters—two swivel, two rigid 5" non-marking rubber wheels.



272946



OVERALL DIMENSIONS

| | |
|----|-------|
| w: | 20" |
| h: | 37.5" |
| d: | 34" |



272228
Standard Compact
Office Cart



272231
Deluxe Large
Office Cart



272230
Deluxe Compact
Office Cart

Wire Office Carts

- Ideal for carrying hanging files (letter and legal) mail, packages and tools.
- Swivel casters.
- Removable baskets.
- 1" diameter, 18 gauge tubular construction.
- All metal surfaces plated for long life.
- Shipped KD and boxed via UPS.

OVERALL DIMENSIONS

| | | | |
|----|-------|--------|--------|
| w: | 20" | 23.75" | 23.75" |
| h: | 37.5" | 38.25" | 38.5" |
| d: | 33" | 33.5" | 43" |



272233

Foldaway Table Top Cart

- Folds for easy storage.
- Ideal for transporting instruments and office equipment.
- Laminate surface with vinyl edge.
- Four 4" swivel ball bearing casters.
- Lower basket: 21" x 13".

OVERALL DIMENSIONS

| | |
|----|--------|
| w: | 19" |
| h: | 28.75" |
| d: | 28" |



272079



272156



ADAPTER
#272150

Office Caddy

- Multi-purpose service truck ideal for offices and service vehicles.
- Fits in most car trunks.
- Easily converts for use as a four wheel rolling table or two or four wheel hand truck. 7 possible positions.
- Oak color top with vinyl edge.
- 8" x 1.75" easy roll semi-pneumatic wheels and 2.5" hard rubber swivel casters.

OVERALL DIMENSIONS

| | |
|----|-----|
| w: | 19" |
| h: | 55" |
| d: | 18" |

Desk Mover & Pedestal Adapter

- Move a desk without emptying drawers or clearing the top.
- Easy operation, automatically locks in the raised position.
- Vinyl coated lift rack prevents damage and slipping.
- Adjustable pedestal adapter required to move desks with single pedestal - **Part # 272150**.
- Capacity 600 lbs.
- Boxed and UPS shippable.
- Swivel casters.

OVERALL DIMENSIONS

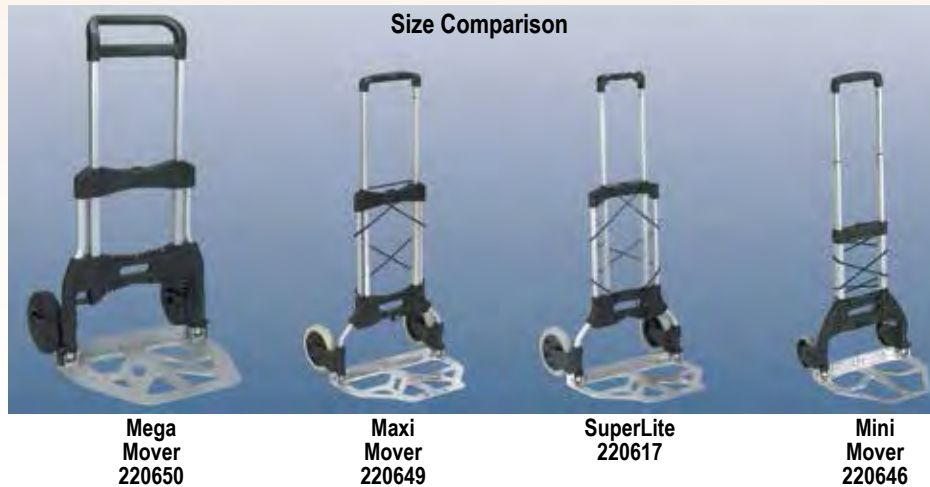
| | | | |
|----|--------|--------|--------|
| w: | 31.75" | 31.75" | 31.75" |
| h: | 39.5" | 39.5" | 39.5" |
| d: | 23" | 23" | 23" |

| Part # | 272228 | 272230 | 272231 | 272233 | 272079 | 272155 | 272156 | 272157 |
|-------------------|---------------------|--------------------|--------------------|-----------|---|---------|---------|--------|
| Capacity | 200 lbs | 200 lbs | 250 lbs | 200 lbs | as 2 wheel truck: 200 lbs as 4 wheel truck: 400 lbs as 4 wheel table: 100 lbs | 600 lbs | 600 lbs | 600 lb |
| Basket/Table Size | 25" x 17.25" x 11" | 25 x 17.25" x 11" | 36 x 17.25" X 11" | 28" x 19" | 19" x 23.5" | N/A | N/A | N/A |
| Lower Basket | 25" x 17.25" x 7.5" | 25 x 17.25" x 7.5" | 36 x 17.25" X 7.5" | N/A | N/A | N/A | N/A | N/A |
| Handle Height | N/A | N/A | N/A | N/A | 55" | 39.5" | 40" | 41.25" |
| Deck Height | N/A | N/A | N/A | 28.75" | 32" | N/A | N/A | N/A |
| Collapsed Size | N/A | N/A | N/A | 6" | 11.5" | N/A | N/A | N/A |
| Raised Height | N/A | N/A | N/A | N/A | N/A | 9.75" | 10.25" | 11.25" |
| Lowered Height | N/A | N/A | N/A | N/A | N/A | 4.25" | 4.75" | 6" |
| Caster Size | 4" hard rubber | 5" hard rubber | 5" hard rubber | 4" | 2.5" | 2.5" | 3" | 4" |
| Wheel Size | 4" hard rubber | 10" semi-pneumatic | 10" semi-pneumatic | N/A | 8" x 1.75" | N/A | N/A | N/A |
| Weight | 41 lbs | 49 lbs | 62 lbs | 32 lbs | 42 lbs | 44 lbs | 45 lbs | 46 lbs |



220646

WESCO® lightweight folding trucks



Mega Mover, Maxi Mover, Superlite & Mini Mover Folding Trucks

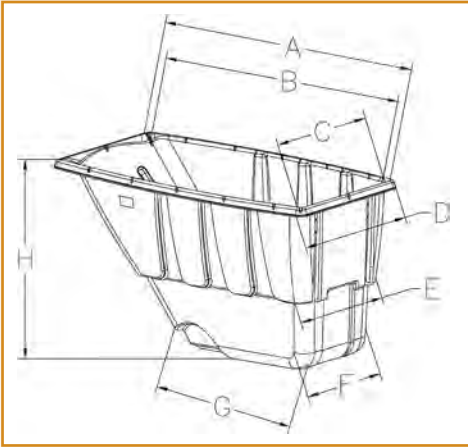
- Space saving folding design. Fits into small storage spaces or car trunks.
- Elastic straps for securing load.
- Aluminum or steel construction.
- **Non-marking wheels.**
- Mini Mover fits into overhead airline compartments.

OVERALL DIMENSIONS EXTENDED

| | | | |
|----------|-----|-----|-------|
| w: 26.5" | 19" | 19" | 15.5" |
| h: 47" | 42" | 42" | 41" |
| d: 25.5" | 19" | 19" | 17.5" |

| Part # | 220650 | 220649 | 220617 | 220646 |
|---------------------------------------|---------------------------|-----------------------------------|-----------------------------------|------------------------------------|
| Capacity | 550 lbs | 275 lbs | 175 lbs | 110 lbs |
| Folded (H x W x D) | 34" x 23.5" x 4.75" | 29.5" x 19" x 2" | 29.5" x 19" x 2" | 24" x 15.25" x 2" |
| Wheel Size | 8" x 2.5" pneumatic wheel | 7" x 1.5" rubber tread / poly hub | 7" x 1.5" rubber tread / poly hub | 5" x 1.25" rubber tread / poly hub |
| Noseplate/Platform Dimensions (W x D) | 23.5" x 18" Noseplate | 19" x 12" Noseplate | 19" x 12" Noseplate | 15" x 12.5" Noseplate |
| Handle Type | 34" - 47" | 29.5" - 42" | 29.5" - 42" | 24" - 41" |
| Construction | Aluminum | Steel | Aluminum | Aluminum |
| Weight | 33 lbs | 14 lbs | 11.5 lbs | 9 lbs |

WESCO® TILT CARTS



Fork Pocket



**272577
Standard/Recycle**



**272575
Utility**



**272583
Standard**

Tilt Carts

- Heavy-duty, molded, FDA compliant material, polyethylene bin.
- Easy to move and dump.
- Wheels: 10" x 2.75" / 12" x 3" black rubber tread tire, molded to polyolefin hub.
- Swivel casters, polyurethane wheels.
- 1/2 and 1 cubic yard bins.

- All models include bin, frame, handle, wheels and casters.
- Optional black polyethylene hinged lids:
#272586 - 1/2 cu. yd. and #272587 - 1 cu. yd. (304 stainless hinge).
- Four grades: utility, standard, heavy duty and forklift.
- **Blue recycle** 1/2 cubic yard bin available: #272577.

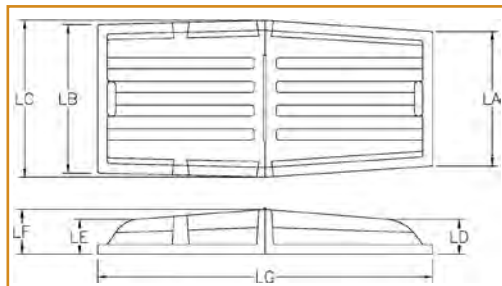
| Part # | 272575 | 272576 | 272577 | 272578 | 272579 | 272580 | 272581 | 272582 | 272583 | 272584 | 272585 |
|------------|---------------|----------------|------------------|----------------|-------------|-------------|----------------|----------------|----------------|-------------|-------------|
| Model # | 1/2 U450B | 1/2 S850B | 1/2 S850BLRC | 1/2 S850R | 1/2 HD1400B | 1/2 FL850B | 1U850B | 1S1250B | 1S1250R | 1HD2100B | 1FL1250B |
| Type | Utility | Standard | Standard/Recycle | Standard | Heavy Duty | Fork Lift | Utility | Standard | Standard | Heavy Duty | Fork Lift |
| Cubic Yard | 1/2 | 1/2 | 1/2 | 1/2 | 1/2 | 1/2 | 1 | 1 | 1 | 1 | 1 |
| Capacity | 450 lbs | 850 lbs | 850 lbs | 850 lbs | 1,400 lbs | 850 lbs | 850 lbs | 1,250 lbs | 1,250 lbs | 2,100 lbs | 1,250 lbs |
| Color | Black | Black | Blue | Red | Black | Black | Black | Black | Red | Black | Black |
| Wheel | 10" x 2.75" | 10" x 2.75" | 10" x 2.75" | 10" x 2.75" | 12" x 3" | 12" x 3" | 10" x 2.75" | 12" x 3" | 12" x 3" | 12" x 3" | 12" x 3" |
| Caster | (2) 4" x 1.5" | (2) 3" x 1.25" | (2) 3" x 1.25" | (2) 3" x 1.25" | (2) 4" x 2" | (1) 4" x 2" | (2) 4" x 1.25" | (2) 4" x 1.25" | (2) 4" x 1.25" | (2) 4" x 2" | (2) 4" x 2" |

DIMENSIONS

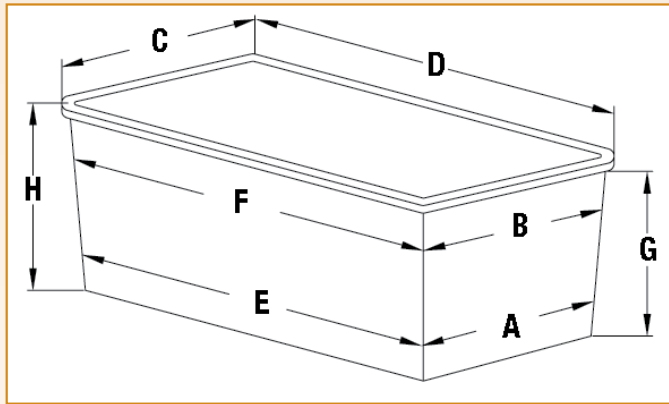
| | 272575 | 272576 | 272577 | 272578 | 272579 | 272580 | 272581 | 272582 | 272583 | 272584 | 272585 |
|----------------|--------------|--------------|--------------|--------------|--------------|-------------|---------------|---------------|---------------|---------------|---------------|
| A,B | 60.75", 57" | 61.5", 57" | 61.5", 57" | 61.5", 57" | 61.5", 57" | 61.5", 57" | 72.5", 69" | 72.75", 69" | 72.75", 69" | 72.75", 69" | 73.75", 69" |
| C,D | 21.5", 26.5" | 21.5", 26.5" | 21.5", 26.5" | 21.5", 26.5" | 21.5", 26.5" | 21.5", 27" | 24.5", 29.25" | 24.5", 29.25" | 24.5", 29.25" | 24.5", 29.25" | 24.5", 29.25" |
| E,F | 18.75", 16" | 18.75", 16" | 18.75", 16" | 18.75", 16" | 18.75", 16" | 18.75", 16" | 22", 19.25" | 22", 19.25" | 22", 19.25" | 22", 19.25" | 22.5", 19.25" |
| G,H | 29", 31" | 29", 31" | 29", 31" | 29", 31" | 29", 31" | 29", 31" | 37", 37" | 37", 37" | 37", 37" | 37", 37" | 37", 37" |
| Overall Height | 36.5" | 36.5" | 36.5" | 36.5" | 37.5" | 37.25" | 43" | 43" | 43" | 43.25" | 43.5" |
| Weight | 51 lbs | 65.5 lbs | 65.5 lbs | 65.5 lbs | 83.5 lbs | 88 lbs | 74 lbs | 94.5 lbs | 94.5 lbs | 107.5 lbs | 119 lbs |



1/2 and 1 Cubic Yard Lids



| Lid Part # | 272586 | 272587 |
|----------------|------------------------|-------------------------------|
| Size | 1/2 Cu. Yd. | 1 Cu. Yd. |
| LA, LB, LC | 24", 26.5", 28.375" | 27.125", 29", 33.125" |
| LD, LE, LF, LG | 6.5", 6.25", 7.5", 61" | 6.625", 6.625", 8.25", 71.50" |
| Weight | 11 lbs. | 16.5 lbs |



Standard
Caster
Pattern



OR
Diamond
Caster
Pattern



To order the diamond caster pattern, add DP to Part #. Example: 272513DP.



272527



272524



272548



Look!
8" Pneumatic Casters

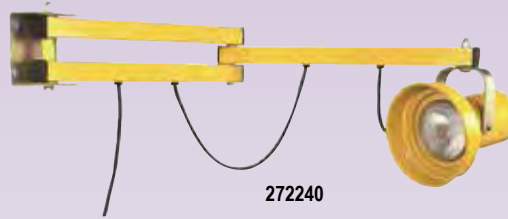
Plastic Box Trucks

- Material: polyethylene.
- Five sizes and color choices.
- Two caster choices: 5" Polyurethane or 8" Pneumatic. Two swivel, two rigid mounted on 5-Ply Plywood base for extra rigidity (except 4 bushel models).
- Can ship KD and nested on quantity orders.
- Caster pattern Standard or Diamond.
- White color, only, produced from FDA compliant polyethylene material.***

5" caster adds 6.75" to height, except 4 bushel adds 6"

8" caster adds 10.75" to height, except 4 bushel adds 10"

| | 32 gal. 4 bushels | 64 gal. 8 bushels | 96 gal. 12 bushels | 128 gal. 16 bushels | 160 gal. 20 bushels |
|--|---|---|--|---|---|
| Volume | | | | | |
| Capacity | 350 lbs | 450 lbs | 550 lbs | 600 lbs | 600 lbs |
| Dimensions (inches): A-B-C-D E-F-G-H | 17 - 17.75 - 20.75 - 32 27.75 - 29 - 13.75 - 15.25 | 19 - 21 - 24 - 35 30 - 31.75 - 21.5 - 23 | 22.75 - 25 - 28 - 38 33 - 35 - 27 - 28.25 | 24.25 - 27 - 30 - 42 36 - 38 - 28.25 - 29.75 | 28 - 30.75 - 34 - 46 39.75 - 43 - 31.25 - 33 |
| Weight: Tub Only | 10 lbs | 16.5 lbs | 25 lbs | 33 lbs | 42.5 lbs |
| Weight: Assembled Tub | | | | | |
| 5" Caster | 20 lbs | 43 lbs | 50 lbs | 54 lbs | 65 lbs |
| 8" Caster | 24 lbs | 47 lbs | 54 lbs | 58 lbs | 69 lbs |
| GREY Part #: 5" Caster | 272503 | 272508 | 272513 | 272518 | 272523 |
| 8" Caster | 272530 | 272531 | 272532 | 272533 | 272534 |
| BLUE Part #: 5" Caster | 272504 | 272509 | 272514 | 272519 | 272524 |
| 8" Caster | 272535 | 272536 | 272537 | 272538 | 272539 |
| * WHITE Part #: 5" Caster | 272505 | 272510 | 272515 | 272520 | 272525 |
| 8" Caster | 272540 | 272541 | 272542 | 272543 | 272544 |
| RED Part #: 5" Caster | 272506 | 272511 | 272516 | 272521 | 272526 |
| 8" Caster | 272545 | 272546 | 272547 | 272548 | 272549 |
| YELLOW Part #: 5" Caster | 272507 | 272512 | 272517 | 272522 | 272527 |
| 8" Caster | 272550 | 272551 | 272552 | 272553 | 272554 |



272240



Light with fan kit installed
272340

UL Approved Dock Lights

- Spring-loaded pushup socket for easy bulb changing.
- 7 gauge wall mount standard.
- 18" two speed fan accessory.
- Use with incandescent lamps or LED only: PAR-38: up to 150W. R40: up to 300W.
- For indoor use.
- Ready for hardwiring or plug attachment.
- 272328 & 272329 arm and fan only (NO LIGHT). Fan has a 62" long cord with a 3 prong plug. Fan plugs directly into outlet. No hard wiring or plug attachment required. On & Off switch on fan.

| Part # | 272224 | 272240 | 272260 | 272290 | 272330 | 272328 | 272329 | 272340 | 272360 |
|-------------|-----------|-----------|-----------|-----------|----------|------------------|------------------|-----------------------|-----------------------|
| Description | 24" Light | 40" Light | 60" Light | 90" Light | Fan only | Fan with 40" arm | Fan with 60" arm | Light & fan w/40" arm | Light & fan w/60" arm |
| Weight | 15.5 lbs | 17.7 lbs | 22 lbs | 31 lbs | 20 lbs | 41 lbs | 45 lbs | 38 lbs | 39 lbs |



272286

Universal Strapping Truck

- Automatic brake to reduce strap spillage.
- Tray for storing tools and seals.
- Handles steel and non-metallic strapping.
- Accepts 3", 6" and 8" face coils; 8" and 16" core sizes.
- 10" x 1.75" steel semi-pneumatic wheel.

OVERALL DIMENSIONS

w: 27"
h: 39"
d: 25"



272008



272009

Poly Strapping System

- Tools for tightening and sealing poly and plastic strap.
- High quality tensioner tightens and cuts .5" to .625" plastic strap.

BOXED OVERALL DIMENSIONS

w: 4.25" 4.25" 4.25"
h: 3" 1.5" 1.5"
d: 10.75" 17" 17"



272011



272024

Steel Strapping System

- Tools for tightening and sealing steel banding.
- Cast steel tensioner for most sizes (.375" to .75").

BOXED OVERALL DIMENSIONS

w: 4" 6.25" 6.25" 6.25"
h: 3.5" 1.75" 1.75" 1.75"
d: 15.5" 13.5" 13.5" 13.5"



272015

Strap Cutters

- One hand operation.

BOXED OVERALL DIMENSIONS

w: 1.75"
h: 1.75"
d: 12"



272022

Tensioner/Crimper

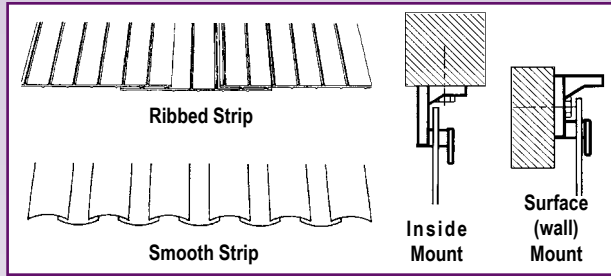
- Push/windless type for steel strapping.
- With cutter and hammer knob for seal closing.
- For use with wing seals.
- Use for on .375" - .75" wide and up to .030" thick steel strap.

BOXED OVERALL DIMENSIONS

w: 4"
h: 2.5"
d: 12.75"

| Part # | 272286 | 272008 | 272009 | 272010 | 272011 | 272023 | 272024 | 272025 | 272015 | 272022 |
|-------------|--------|--------------|----------|------------|--------------|------------|----------|-----------|------------|-------------------|
| Description | Truck | Tensioner | Sealer | Sealer | Tensioner | Sealer | Sealer | Sealer | Deluxe | Tensioner/Crimper |
| Size | N/A | .375" - .75" | .5" only | .625" only | .375" - .75" | .375" only | .5" only | .75" only | up to .75" | .375" - .75" |
| Weight | 54 lbs | 3 lbs | 4 lbs | 4 lbs | 5 lbs | 2 lbs | 2 lbs | 2 lbs | 2 lbs | 3.25 lbs |

WESCO® EASY MOUNT STRIP DOORS



Note: Models and sizes shown are for inside mount. For outside or surface mount select next highest width and height or select size as required.

Easy Mount Strip Doors

- Molded plastic, high-strength, Easy-Mount Bracket. No bolts or screws, just hook it on.
- Energy conserving
- Reduces noise, dirt, dust and odors. Helps meet OSHA noise rules.
- Two-way visibility.
- No wasted space for swinging door.
- High quality flexible vinyl.



- Functional from -20° to 150° F as an effective thermal barrier. Special compound reduces bruising and lacerations and fading UV rays.
- Two styles: **Smooth** – concave/convex overlap for best seal in 12" and 8" widths. **Ribbed** – reduced scratching and improved sealing.
- Orange end panels on doors with 12" strips.
- 12" strips are .120 thick; 8" strips are .080" thick.
- Can be ordered as complete doors, individual strips, and bulk lengths.
- Custom sizes available.
- Note: The length of the strip is dependent on the type of mount used.
- 12 ft. maximum length.

HEAVY DUTY – 12" STRIP WIDTH 66% OVERLAP

WALK THROUGH DOORS – 8" STRIP WIDTH 50% OVERLAP

| Opening W.x H. | Smooth Part # | Ribbed Part # | Opening W. x H. | Smooth Part # | Ribbed Part # |
|----------------|---------------|---------------|---------------------------------------|---------------|---------------|
| 6' x 7' | 272813 | 272863 | 3' x 7' | 272801 | N/A |
| 6' x 8' | 272814 | 272864 | 3' x 8' | 272802 | N/A |
| 6' x 9' | 272815 | 272865 | 4' x 7' | 272803 | N/A |
| 6' x 10' | 272816 | 272866 | 4' x 8' | 272804 | N/A |
| 6' x 12' | 272817 | 272867 | 5' x 7' | 272805 | N/A |
| 7' x 7' | 272818 | 272868 | 5' x 8' | 272806 | N/A |
| 7' x 8' | 272819 | 272869 | 6' x 7' | 272807 | N/A |
| 7' x 9' | 272820 | 272870 | 6' x 8' | 272808 | N/A |
| 7' x 10' | 272821 | 272871 | 7' x 7' | 272809 | N/A |
| 7' x 12' | 272822 | 272872 | 7' x 8' | 272810 | N/A |
| 8' x 7' | 272823 | 272873 | 8' x 7' | 272811 | N/A |
| 8' x 8' | 272824 | 272874 | 8' x 8' | 272812 | N/A |
| 8' x 9' | 272825 | 272875 | REPLACEMENT STRIPS – CLEAR | | |
| 8' x 10' | 272826 | 272876 | Size | Smooth Part # | Ribbed Part # |
| 8' x 12' | 272827 | 272877 | 8" x 7" | 171001 | N/A |
| 9' x 7' | 272828 | 272878 | 8" x 8" | 171002 | N/A |
| 9' x 8' | 272829 | 272879 | 12" x 7" | 171003 | 171012 |
| 9' x 9' | 272830 | 272880 | 12" x 8" | 171004 | 171013 |
| 9' x 10' | 272831 | 272881 | 12" x 9" | 171005 | 171014 |
| 9' x 12' | 272832 | 272882 | 12" x 10' | 171006 | 171015 |
| 10' x 7' | 272833 | 272883 | 12" x 12' | 171007 | 171016 |
| 10' x 8' | 272834 | 272884 | REPLACEMENT STRIPS – ORANGE | | |
| 10' x 9' | 272835 | 272885 | Size | Smooth Part # | Ribbed Part # |
| 10' x 10' | 272836 | 272886 | 12" x 7" | 171022 | 171032 |
| 10' x 12' | 272837 | 272887 | 12" x 8" | 171023 | 171033 |
| 12' x 7' | 272838 | 272888 | 12" x 9" | 171024 | 171034 |
| 12' x 8' | 272839 | 272889 | 12" x 10' | 171025 | 171035 |
| 12' x 9' | 272840 | 272890 | 12" x 12' | 171026 | 171036 |
| 12' x 10' | 272841 | 272891 | BULK STRIP – ORDER BY THE FOOT | | |
| 12' x 12' | 272842 | 272892 | Color/ Width | Smooth Part # | Ribbed Part # |
| 14' x 7' | 272843 | 272893 | Clear 8" | 172003 | N/A |
| 14' x 8' | 272844 | 272894 | Clear 12" | 172004 | 172006 |
| 14' x 9' | 272845 | 272895 | Orange 12" | 172005 | 172007 |
| 14' x 10' | 272846 | 272896 | REPLACEMENT HANGERS | | |
| 14' x 12' | 272847 | 272897 | Length | Part # | |
| | | | 24" | 172001 | |

WESCO® CHROME-PLATED WIRE SHELVING

Features:

- Open wire design that provides maximum visibility and air circulation while minimizing dust accumulation.
- All units are NSF® Approved for use in the food industry.
- Sets up easily without tools.
- Shelves adjust at 1" increments on numbered posts.
- Adjustable floor levelers compensate for surface irregularities.
- Begin with "starter" units and then "add-on" additional units.
- Not suitable for refrigerated or freezer cold storage environments.
- Capacity of wire shelving sets are reduced to 880 lbs. when using Wesco caster sets. All capacities based upon evenly distributed loads.



Wire Shelving Starter Unit

- Kit consists of 4 posts, 4 shelves and 16 post sleeves that secure shelves to posts.
- Posts are numbered around diameter in 1" increments.
- 24 sizes to choose from: shelves available in 18" and 24" depth and 36", 48", 60", and 72" length; posts are available in 63", 74", and 86" heights.



Add-On Kit

- Kit consists of 2 posts, 4 shelves, 8 "S" hooks and 8 post sleeves that secure shelves to posts.
- "S" hooks attach Add-on Kits to existing shelving units.
- 24 sizes to choose from: shelves available in 18" and 24" depth, and 36", 48", 60", and 72" length; posts are available in 63", 74", and 86" heights.

STARTER UNITS

ADD-ON KITS

| Part # | Size (D x W x H) | Total Unit Capacity* | Capacity Per Shelf* | Part # | Size (D x W x H) | Total Unit Capacity* | Capacity Per Shelf* |
|--------|------------------|----------------------|---------------------|--------|------------------|----------------------|---------------------|
| 272640 | 18" x 36" x 63" | 2,400 lbs | 600 lbs | 272646 | 18" x 36" x 63" | 2,400 lbs | 600 lbs |
| 272641 | 18" x 36" x 74" | 2,400 lbs | 600 lbs | 272647 | 18" x 36" x 74" | 2,400 lbs | 600 lbs |
| 272642 | 18" x 36" x 86" | 2,400 lbs | 600 lbs | 272648 | 18" x 36" x 86" | 2,400 lbs | 600 lbs |
| 272703 | 18" x 48" x 63" | 2,400 lbs | 600 lbs | 272721 | 18" x 48" x 63" | 2,400 lbs | 600 lbs |
| 272704 | 18" x 48" x 74" | 2,400 lbs | 600 lbs | 272722 | 18" x 48" x 74" | 2,400 lbs | 600 lbs |
| 272705 | 18" x 48" x 86" | 2,400 lbs | 600 lbs | 272723 | 18" x 48" x 86" | 2,400 lbs | 600 lbs |
| 272706 | 18" x 60" x 63" | 2,400 lbs | 600 lbs | 272724 | 18" x 60" x 63" | 2,400 lbs | 600 lbs |
| 272707 | 18" x 60" x 74" | 2,400 lbs | 600 lbs | 272725 | 18" x 60" x 74" | 2,400 lbs | 600 lbs |
| 272708 | 18" x 60" x 86" | 2,400 lbs | 600 lbs | 272726 | 18" x 60" x 86" | 2,400 lbs | 600 lbs |
| 272709 | 18" x 72" x 63" | 2,000 lbs | 500 lbs | 272727 | 18" x 72" x 63" | 2,000 lbs | 500 lbs |
| 272710 | 18" x 72" x 74" | 2,000 lbs | 500 lbs | 272728 | 18" x 72" x 74" | 2,000 lbs | 500 lbs |
| 272711 | 18" x 72" x 86" | 2,000 lbs | 500 lbs | 272729 | 18" x 72" x 86" | 2,000 lbs | 500 lbs |
| 272643 | 24" x 36" x 63" | 2,400 lbs | 600 lbs | 272649 | 24" x 36" x 63" | 2,400 lbs | 600 lbs |
| 272644 | 24" x 36" x 74" | 2,400 lbs | 600 lbs | 272650 | 24" x 36" x 74" | 2,400 lbs | 600 lbs |
| 272645 | 24" x 36" x 86" | 2,400 lbs | 600 lbs | 272651 | 24" x 36" x 86" | 2,400 lbs | 600 lbs |
| 272712 | 24" x 48" x 63" | 2,400 lbs | 600 lbs | 272730 | 24" x 48" x 63" | 2,400 lbs | 600 lbs |
| 272713 | 24" x 48" x 74" | 2,400 lbs | 600 lbs | 272731 | 24" x 48" x 74" | 2,400 lbs | 600 lbs |
| 272714 | 24" x 48" x 86" | 2,400 lbs | 600 lbs | 272732 | 24" x 48" x 86" | 2,400 lbs | 600 lbs |
| 272715 | 24" x 60" x 63" | 2,400 lbs | 600 lbs | 272733 | 24" x 60" x 63" | 2,400 lbs | 600 lbs |
| 272716 | 24" x 60" x 74" | 2,400 lbs | 600 lbs | 272734 | 24" x 60" x 74" | 2,400 lbs | 600 lbs |
| 272717 | 24" x 60" x 86" | 2,400 lbs | 600 lbs | 272735 | 24" x 60" x 86" | 2,400 lbs | 600 lbs |
| 272718 | 24" x 72" x 63" | 2,000 lbs | 500 lbs | 272737 | 24" x 72" x 63" | 2,000 lbs | 500 lbs |
| 272719 | 24" x 72" x 74" | 2,000 lbs | 500 lbs | 272738 | 24" x 72" x 74" | 2,000 lbs | 500 lbs |
| 272720 | 24" x 72" x 86" | 2,000 lbs | 500 lbs | 272739 | 24" x 72" x 86" | 2,000 lbs | 500 lbs |

*Capacity in pounds based on evenly distributed loads.

Accessories for Wire Shelving

- 5" x 1.25" stem casters. Choice of polyurethane or rubber wheels.
- Foot plates to bolt racks to the floor.
- Shelf edges to prevent items from falling.
- Extra shelves sold in pairs only.
- Leveling feet protect flooring and level racks on uneven surfaces.
- Post clamps join units together and "S" hooks are needed when adding shelves.
- Snap in 8" high shelf dividers keep shelves organized.
- Replacement posts sold in pairs only.

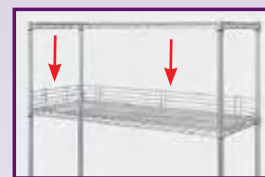


Shelf Sets

2 Shelves/Set

OVERALL DIMENSIONS

| | | | | | | | | |
|----|------|------|------|------|------|------|------|------|
| w: | 36" | 48" | 60" | 72" | 36" | 48" | 60" | 72" |
| h: | 1.3" | 1.3" | 1.3" | 1.3" | 1.3" | 1.3" | 1.3" | 1.3" |
| d: | 18" | 18" | 18" | 18" | 24" | 24" | 24" | 24" |



Shelf Edges

OVERALL DIMENSIONS

| | | | | | | |
|----|------|------|------|------|------|------|
| w: | 18" | 24" | 36" | 48" | 60" | 72" |
| h: | 3" | 3" | 3" | 3" | 3" | 3" |
| d: | .25" | .25" | .25" | .25" | .25" | .25" |

| Part # | 170278 | 170264 | 170265 | 170266 | 170279 | 170267 | 170268 | 170269 | 170247 | 170248 | 170273 | 170249 | 170251 | 170252 |
|-------------|-----------------------|-----------------------|-----------------------|---------------------|---------------------|-----------------------|-----------------------|-----------------------|----------------|----------------|----------------|----------------|----------------|----------------|
| Description | (2) 18" x 36" shelves | (2) 18" x 48" shelves | (2) 18" x 60" shelves | (2) 18" x 72" shelf | (2) 24" x 36" shelf | (2) 24" x 48" shelves | (2) 24" x 60" shelves | (2) 24" x 72" shelves | 18" shelf edge | 24" shelf edge | 36" shelf edge | 48" shelf edge | 60" shelf edge | 72" shelf edge |
| Weight | 21 lbs | 26.2 lbs | 32 lbs | 43 lbs | 29 lbs | 37 lbs | 48 lbs | 56.5 lbs | 2 lbs | 2.4 lbs | 2.5 lbs | 2.76 lbs | 4 lbs | 4 lbs |



Shelf Dividers



Shelf Post Sets

2 Posts/Set



Caster Sets

- 4 swivel casters per set. 2 with brakes; 2 without.
- Wire shelving sets with Wesco casters have a maximum capacity of 880 lbs. with an evenly distributed load.



Leveling Feet



"S" Hooks



Post Clamps

| Part # | 170253 | 170254 | 170261 | 170262 | 170263 | 170258 | 170270 | 170256 | 170255 | 170260 |
|-------------|---------------|---------------|--------------|--------------|--------------|--|--|---------|--------|--------|
| Description | 18" W 8" H | 24" W 8" H | (2) 63" long | (2) 74" long | (2) 86" long | 5" Rubber wheels A. 8.625" B. 6.437" | 5" Polyurethane wheels A. 8.562" B. 6.375" | A. .50" | | |
| Weight | 1.75 lbs | 2.4 lbs | 7 lbs | 9 lbs | 10 lbs | 11.25 lbs | 10 lbs | .31 lb | .05 lb | 1 lb |



Foot Plates



Replacement Sleeves

| Part # | 170257 | 170259 |
|--------|--------|---------|
| Weight | .15 lb | .11 lbs |

Trailer Stabilizing Jacks

- High strength steel construction.
- Adjustable height for leveling of trailers parked on uneven ground.
- Broad base prevents trailer dollies from sinking into soft surfaces.
- Prevents up-ending of semi-trailers when not connected to a truck during loading/unloading.
- **TSJE Economy**, manually turned ACME threaded screw raises and lowers jack. 14" dia. base, 5" x 5" top plate.
- **TSJS Standard**, ratchet with ACME threaded screw raises and lowers jack. 14" diameter x 1/2" thick base plate, 8" semi-pneumatic wheels, 8" diameter top plate.
- **TSJHD Heavy duty**, two way reversible hand ratchet, 6" x 24" long beam, 5" triangular base, 8" semi-pneumatic wheels, and 4" semi-steel wheels.
- **Wesco recommends always using at least two jacks per trailer. Meets OSHA requirements.**



272957



272955



272956

OVERALL DIMENSIONS

| | | | |
|----|---------|-------------|-------------|
| w: | 13.75" | 13.75" | 14.5" |
| h: | 44"-51" | 39.5" - 51" | 39.5" - 51" |
| d: | 13.75" | 13.75" | 26.5" |

| Part # | 272957 | 272955 | 272956 |
|------------------|------------|-------------|-------------|
| Model # | TSJE | TSJS | TSJHD |
| Static Capacity | 50,000 lbs | 100,000 lbs | 100,000 lbs |
| Lifting Capacity | 5,000 lbs | 40,000 lbs | 50,000 lbs |
| Service Range | 44" - 51" | 39.5" - 51" | 39.5" - 51" |
| Weight | 45 lbs | 125 lbs | 160 lbs |



Cargo Bars, Hoops and Decking Beams

- Helps secure loads to prevent shifting.
- One or two piece construction.
- Materials of construction are lightweight aluminum and heavy duty steel.
- **#272962 optional hoops available for models #272958 and #272961 only.**
- Cargo bars with quick release feature.

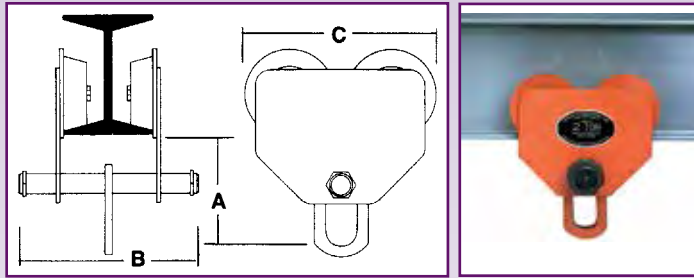


272962 HOOPS

OVERALL DIMENSIONS

| | | | | | | | |
|----|------------|------------|------------|--------------|---------------|------------|------------|
| w: | 1.5" dia. | 1.5" | 1.75" | 1.5" | 24" W x 36" L | 2.625" | 2.625" |
| h: | | 1.5" | 1.75" | 1.5" | | 3.1875" | 3.1875" |
| l: | 87" - 103" | 87" - 115" | 64" - 130" | 82.5" - 110" | | 91" - 102" | 91" - 102" |

| Part # | 272958 | 272959 | 272960 | 272961 | 272962 | 273130 | 273138 |
|------------------------|---------------------|---------------------------|---------------------------|------------------|------------------|------------------------------|------------------------------|
| Model # | CBA1000 | CBS2000 | CBGS3000 | CBS4000 | CBHOOP | E-TRACK DECKING BEAM | E-TRACK DECKING BEAM |
| Static Capacity | N/A | N/A | N/A | N/A | N/A | 2,000 lbs | 3,000 lbs |
| Length Adjustment | 87" - 103" | 87" - 116" | 80" - 139" | 86" - 115" | N/A | 91" - 102" | 91" - 102" |
| Articulating Foot Pads | 4" x 2.5" | 4" x 4" | 4" x 4" | 4" x 4" | N/A | E-track clips | E-track clips |
| Construction | Aluminum Round Tube | Galvanized Sq. Steel Tube | Galvanized Sq. Steel Tube | Galvanized Steel | Galvanized Steel | Aluminum & zinc-plated steel | Aluminum & zinc-plated steel |
| Weight | 11 lbs | 18 lbs | 24 lbs | 17 lbs | 15 lbs | 22 lbs | 24 lbs |

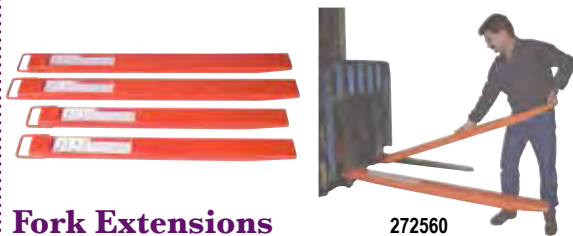


272159

Wesco Trolleys

- Heavy duty trolleys designed for flexibility of installation.
- Usable on straight or curved track.
- Adjusts for wide variety of beam widths; simply remove end nut and adjust spacers.
- Can be installed or removed from any point in the track.

| Part # | 272158 | 272159 | 272160 | 272161 | 272162 |
|--------------------------|--------------|----------------|--------------|-----------|------------|
| Capacity | 1,000 lbs | 2,000 lbs | 4,000 lbs | 6,000 lbs | 10,000 lbs |
| Fits I-Beam Flange Width | 3.5" to 5.5" | 3.5" to 5.875" | 4.125" to 7" | 4" to 7" | 5" to 7" |
| A | 4" | 5" | 5.75" | 6.75" | 7.75" |
| B | 10.25" | 12.5" | 13.25" | 14" | 14.625" |
| C | 7.875" | 9.5" | 11.375" | 13.25" | 15.375" |
| Weight | 18 lbs | 31 lbs | 48 lbs | 76 lbs | 104 lbs |



272560

Fork Extensions

- Heavy duty welded steel construction.
- Steel restraining strap prevents extensions from sliding off fork.
- Sold in pairs.
- Maximum lift truck fork thickness 2".

NOTES:

1. OSHA requires contacting the manufacturer of your fork truck for written approval for the use of any fork truck attachment.
2. OSHA standards require that the length of fork extensions do not exceed the lift truck fork length by more than 50%. (e.g., Fork extension used on 48" long lift truck forks should not exceed 72".)
3. The use of extensions effect lift truck capacity. Contact lift truck manufacturer for load capacity reductions.

| | OVERALL DIMENSIONS | | | | |
|----|--------------------|---------|---------|---------|---------|
| w: | 6.75" | 6.75" | 7.75" | 7.75" | 8.75" |
| h: | 2.375" | 2.375" | 2.375" | 2.375" | 2.375" |
| d: | 63.375" | 75.375" | 63.375" | 75.375" | 75.375" |

| Part # | 272558 | 272559 | 272560 | 272561 | 272562 |
|-----------------|----------|----------|----------|----------|----------|
| Capacity | N/A | N/A | N/A | N/A | N/A |
| Size | 4" x 60" | 4" x 72" | 5" x 60" | 5" x 72" | 6" x 72" |
| Fits Fork Width | 4" | 4" | 5" | 5" | 6" |
| Weight | 95 lbs | 114 lbs | 108 lbs | 121 lbs | 139 lbs |

Battery Transfer Cart

- For use with a standard pallet truck (sold separately).
- Pallet trucks easily locate in 6.75" W x 3.5" H fork pockets.
- One person can easily remove and replace forklift batteries.
- (12) 2.25" diameter steel rollers.
- Swing tabs help to hold battery in place while on rollers.
- Winch with 2" wide nylon belt and safety latch hook.
- Height to top of rollers 6.5".
- Platform roller base:
I.D. 26.75" W x 43.25" L.
O.D. 27.25" W x 43.625" L.
- Adjustable winch height:
Lowered - 29.625".
Raised - 35.50".



| OVERALL DIMENSIONS | |
|--------------------|---------|
| w: | 27.25" |
| h: | 41.50" |
| d: | 55.875" |

| Part # | 274260 |
|----------|-----------------------------------|
| Model # | BAT-TC |
| Capacity | 4,000 lbs |
| W x L | 26.75" W x 43.25" L (usable deck) |
| Weight | 131 lbs |



272571

Foldable Maintenance Platform

- (4) swivel casters - 4" x 1.5" moldon polyurethane.
- Fork Pockets: 7.75"W x 3.5"H. Centers: 26".
- Replacement **caster set #272572**, 13.2 lbs.

| OVERALL DIMENSIONS | |
|--------------------|-----------------------------------|
| w: | 37.5" |
| h: | 81" w/o casters; 87.25" w/casters |
| d: | 42.25" |

| Part # | 272571 |
|-----------------|----------------|
| Capacity | 600 lbs |
| Platform Deck | 37" x 37" I.D. |
| Fits Fork Width | N/A |
| Weight | 220 lbs |

Cellular Foam Wheel / Microcellular Polyurethane – will not go flat



CF

| Part No. | Model | Diameter | Hub Type | Tread Width | Hub Length | Bore Id | Approx. Weight | Bearing Type | Capacity Lbs. |
|----------|-------|----------|----------|-------------|------------|---------|----------------|--------------|---------------|
| 053446 | CF | 10" | Steel | 3" | 2.25" | .625" | 5 LBS. | BALL | 280 |
| 053490 | CFB | 10" | Steel | 3" | 2.25" | .75" | 5 LBS. | BALL | 280 |

Solid Rubber Wheels



Z2

| Part No. | Model | Diameter | Hub Type | Tread Width | Hub Length | Bore Id | Approx. Weight | Bearing Type | Capacity Lbs. |
|----------|-------|----------|----------|-------------|------------|---------|----------------|--------------|---------------|
| 150698 | Z2 | 10" | Poly | 2.75" | 2.25" | .625" | 5 LBS. 12 OZ. | BALL | 550 |
| 150697 | Z8 | 8" | Poly | 2.0" | 2.25" | .625" | 3.5 LBS. | BALL | 300 |
| 108479 | SR | 10" | Poly | 2.5" | 2.25" | .625" | 9 LBS. | BALL | 250 |
| 109486 | Z-12 | 12" | Poly | 3" | 3.25" | .625" | 8 LBS. | BALL | 750 |

Semi-Pneumatic Wheels



Z

| Part No. | Model | Diameter | Hub Type | Tread Width | Hub Length | Bore Id | Approx. Weight | Bearing Type | Capacity Lbs. |
|----------|-------|----------|------------|-------------|------------|---------|----------------|--------------|---------------|
| 052859 | Z8B | 8" | Poly | 2.5" | 2" | .75" | 4.25 Lbs. | Ball | 250 |
| 150589 | Z | 10" | Zinc/Steel | 2.75" | 2.25" | .625" | 6.25 Lbs. | Ball | 350 |

Pneumatic Wheels



P

| Part No. | Model | Diameter | Hub Type | Tread Width | Hub Length | Bore Id | Approx. Weight | Bearing Type | Capacity Lbs. |
|----------|-------|----------|------------|-------------|------------|---------|----------------|--------------|---------------|
| 050602 | P | 10" | Zinc/Steel | 3.50" | 2.25" | .625" | 4 LBS. | BALL | 350 |
| 108478 | PB | 10" | Zinc/Steel | 3.50" | 2.25" | .75" | 4 LBS. | BALL | 350 |
| 108484 | P-12 | 12" | Zinc/Steel | 4" | 3.25" | .75" | 7 LBS. | BALL | 460 |
| 151507 | PWT | 10" | Zinc/Steel | 3.625" | 2.25" | .625" | 4 LBS. | BALL | 350 |
| 151551 | PE | 10" | Zinc/Steel | 3.50" | 2.25" | .625" | 3.5 LBS. | BALL | 350 |

Aluminum Center Moldon Rubber Wheels



R

Typical aluminum center moldon wheel



R3

| Part No. | Model | Diameter | Hub Type | Tread Width | Hub Length | Bore Id | Approx. Weight | Bearing Type | Capacity Lbs. |
|----------|-------|----------|----------|-------------|------------|---------|----------------|--------------|---------------|
| 050567 | A | 6" | Solid | 2" | 2.375" | .625" | 2.5 LBS. | BALL | 500 |
| 053706 | AB | 6" | Solid | 2" | 2.1875" | .625" | 2.5 LBS. | ROLLER | 500 |
| 053707 | - | 6" | Solid | 2" | 2.1875" | .75" | 2.5 LBS. | ROLLER | 500 |
| 052870 | RB | 8" | Solid | 1.625" | 2" | .75" | 3 LBS. | BALL | 500 |
| 108545 | R | 8" | Solid | 1.625" | 2" | .625" | 3 LBS. | BALL | 500 |
| 052868 | H-1B | 8" | Solid | 2" | 2.25" | .75" | 3.75 LBS. | BALL | 550 |
| 053708 | H-1R | 8" | Solid | 2" | 2.1875" | .625" | 3.75 LBS. | ROLLER | 600 |
| 150131 | H-1RB | 8" | Solid | 2" | 2.1875" | .75" | 3.75 LBS. | ROLLER | 600 |
| 108561 | R3 | 8" | Spoke | 1.625" | 1.625" | .625" | 2.5 LBS. | BALL | 300 |

Balloon Cushion TPR Rubber



BC-10

| Part No. | Model | Diameter | Tread Width | Hub Length | Bore Id | Approx. Weight | Bearing Type | Capacity Lbs. | Hub Type |
|----------|-------|----------|-------------|------------|---------|----------------|--------------|---------------|------------|
| *150228 | BC-10 | 10" | 2.165" | 2.25" | .625" | 4 LBS. 12 OZ. | BALL | 300 | Polyolefin |
| *150229 | BC-8 | 8" | 2.165" | 2.25" | .625" | 2 LBS. 12 OZ. | BALL | 300 | Polyolefin |
| 050566 | RK-8 | 8" | 2.25" | 2.25" | .750" | 3 LBS. 10 OZ. | BALL | 450 | Aluminum |

* BC-8 is gray non-marking TPR rubber. BC-10 is charcoal-gray non-marking TPR rubber.

Moldon Rubber on Cast Iron Hubs



BT

| Part No. | Model | Diameter | Tread Width | Hub Length | Bore Id | Approx. Weight | Bearing Type | Capacity Lbs. |
|----------|-------|----------|-------------|------------|---------|----------------|--------------|---------------|
| 053722 | – | 5" | 2" | 2.1875" | .75" | 3.25 LBS. | ROLLER | 500 |
| 108838 | – | 6" | 1.5" | 2" | .75" | 3.50 LBS. | BALL | 400 |
| 108839 | – | 6" | 1.5" | 2" | .625" | 3.50 LBS. | BALL | 400 |
| 053723 | – | 6" | 2" | 2.1875" | .625" | 4.25 LBS. | ROLLER | 500 |
| 053724 | – | 6" | 2" | 2.1875" | .75" | 4.25 LBS. | ROLLER | 500 |
| 050579 | H | 8" | 2" | 2.1875" | .625" | 6.25 LBS. | ROLLER | 600 |
| 150120 | HB | 8" | 2" | 2.1875" | .75" | 6.25 LBS. | ROLLER | 600 |
| 150596 | BT | 10" | 2.5" | 2.75" | 1.00" | 13.75 LBS. | ROLLER | 800 |

Moldon Polyurethane on Polypropylene Hub



| Part No. | Model | Diameter | Tread Width | Hub Length | Bore Id | Approx. Weight | Bearing Type | Capacity Lbs. |
|----------|-------|----------|-------------|------------|---------|----------------|--------------|---------------|
| 053730 | PP10 | 10" | 2.5" | 2.75" | 1.00" | 6 LBS. | ROLLER | 1200 |
| 053733 | PP8 | 8" | 2" | 2.1875" | .75" | 2.5 LBS. | BALL | 800 |

Moldon Rubber on Polyolefin Hub



R2

| Part No. | Model | Diameter | Tread Width | Hub Length | Bore Id | Approx. Weight | Bearing Type | Capacity Lbs. |
|----------|-------|----------|-------------|------------|---------|----------------|--------------|---------------|
| 150692 | R2 | 8" | 1.625" | 2.187" | .625" | 1 LB. | PLAIN | 375 |

Solid Polyolefin Wheels



BTW

| Part No. | Model | Diameter | Tread Width | Hub Length | Bore Id | Approx. Weight | Bearing Type | Capacity Lbs. |
|----------|-------|----------|-------------|------------|---------|----------------|--------------|---------------|
| 150103 | CWP-1 | 2.5" | 1.125" | 1.25" | .5" | 2.5 OZ. | PLAIN | 200 |
| 150197 | – | 3" | 1.25" | 1.56" | .375" | 3 OZ. | PLAIN | 300 |
| 101355 | – | 4" | 1.25" | 1.56" | .5" | 5 OZ. | PLAIN | 350 |
| 108300 | CT-3 | 5" | 1.5" | 1.62" | .5" | 8 OZ. | PLAIN | 400 |
| 150693 | E-2 | 6" | 1.5" | 1.625" | .625" | 13 OZ. | PLAIN | 500 |
| 150204 | – | 8" | 2" | 2.25" | .75" | 2 LBS. | PLAIN | 600 |
| 150691 | BTW | 10" | 2.25" | 2.75" | 1.00" | 2.5 LBS. | PLAIN | 750 |

Solid Phenolic Resin Wheels



| Part No. | Model | Diameter | Tread Width | Hub Length | Bore Id | Approx. Weight | Bearing Type | Capacity Lbs. |
|----------|-------|----------|-------------|------------|---------|----------------|--------------|---------------|
| 053902 | – | 5" | 2" | 2.1875" | .625" | 1.75 LBS. | ROLLER | 1000 |
| 053769 | – | 5" | 2" | 2.1875" | .75" | 1.75 LBS. | ROLLER | 1000 |
| 053903 | – | 6" | 2" | 2.1875" | .625" | 2.5 LBS. | ROLLER | 1200 |
| 053770 | – | 6" | 2" | 2.1875" | .75" | 2.5 LBS. | ROLLER | 1200 |

Phenolic resin wheels are non-marking.

NEW!

PRODUCTS FROM WESCO®



4-Wheel Drum Cart
#210353 - 10" wheel
#210354 - 8" wheel
Page 6.



STAINLESS STEEL
Stainless Steel
Rotary
Drum Pump
#272397, Page 20.



Pneumatic Power Leveler
#272696, Page 78.



Double Scissors
Lift Table
#272862,
Page 75.



STAINLESS STEEL
Stainless Steel Carts
3 Shelf Carts, 5 Models,
Page 89.



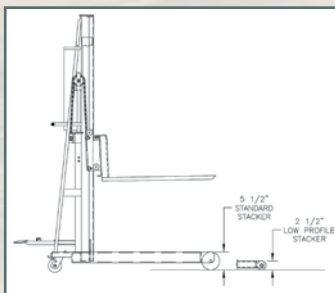
Premium
Light Duty Winch Lift
#274520, Page 62.



Powered Lift Scissors Tables
#273710 (660 lb. Capacity)
#273711 (1,100 lb. Capacity)
#273712 (1,650 lb. Capacity), Page 77.



Powered Lift Double
Scissors Table
#273713 (770 lb.
Capacity), Page 77.



Low Profile Stacker
Outrigger Option, Page 60.



80" Long Deck Scissors Table
#273230 (2,200 lb. Capacity),
Page 76.



Powered Pallet Truck Stacker
#273129, Page 52.



PRODUCTS FROM WESCO®



MADE IN THE USA
Stainless Steel
Universal Drum Lifter
Part #240063, Page 11.



Stainless Steel
Drum Dolly
Part #240197, Page 7.



MADE IN THE USA
Stainless Steel
Hand Truck
Part #210351, Page 22.



MADE IN THE USA
Stainless Steel
Drum / Hand Truck
Part #210352, Pages 6 & 26.



Stainless Steel
Heavy-Duty Faucet
Part# 272038, Page 17.



MADE IN THE USA
Stainless Steel Knock-
Down Drum Truck
Part #240019, Page 5.



MADE IN THE USA
Stainless Steel
Drum Handler
Part #240240,
Page 15.

NEW!



Stainless Steel
Rotary Drum Pump
#272397, Page 20.



Stainless Steel
Electric High Lift
Part #272860,
Page 51.



MADE IN THE USA
Stainless Steel
4-Wheeled Pedalift
Part #260197, Page 56.



MADE IN THE USA
Stainless Steel
4-Wheeled Pedalift
Part #260186, Page 56.



NEW!
Stainless Steel Carts
3 Shelf Carts, 5 Models,
Page 89.



Stainless Steel Pallet Truck
Part #272152, Page 49.



Stainless Steel Folding
Handle Truck
Part #270458, Page 87.



Stainless Steel
Manual High Lift
Part #272859, Page 51.



1250 Welsh Rd., North Wales, PA 19454
Phone: 215-699-7031
Fax: 215-699-3836
<http://www.wescomfg.com>
<http://www.lexcoeng.com>